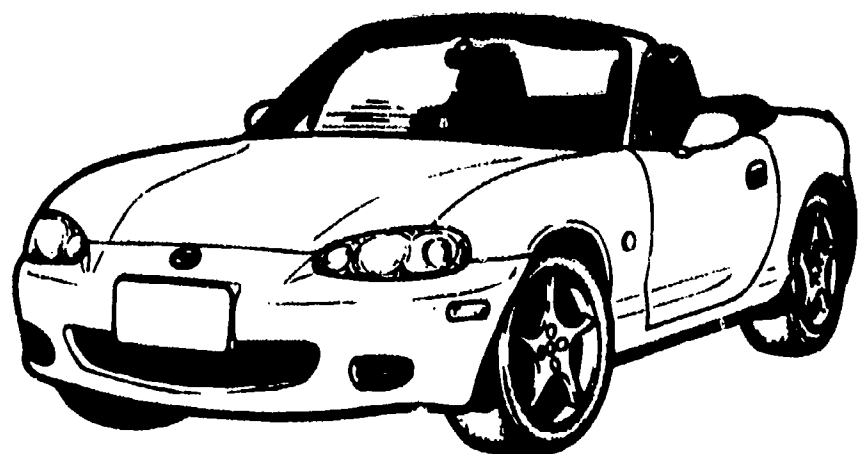


Parts Catalog

Mazda MX-5 MIATA U.S.A. & Canada ('01 ▶)



NB35 * * -20001~

Jan. '02 (REVISED)

Catalog No. AU-NA08-04

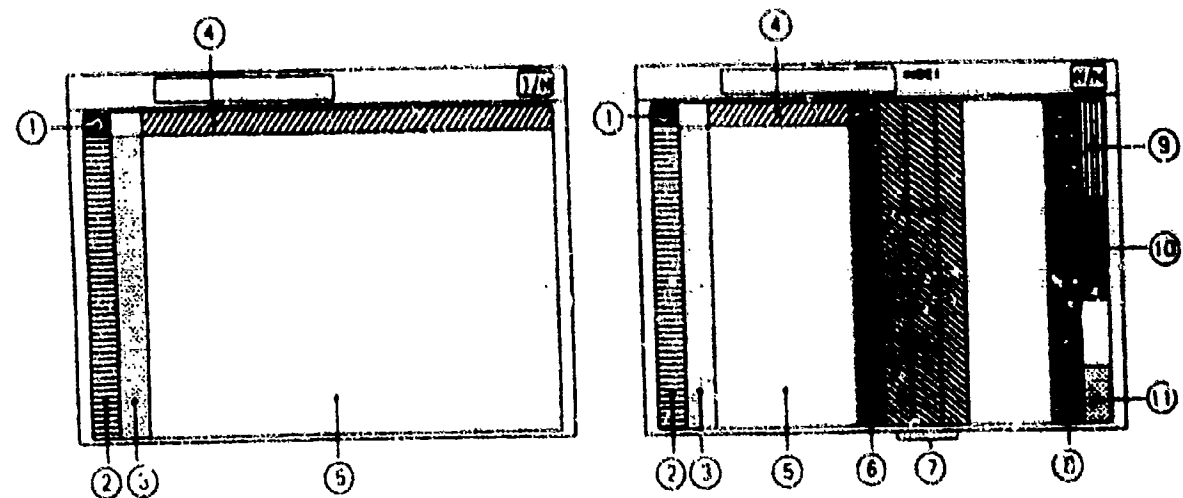


MAZDA

© 2002 Mazda Motor Corporation

LAYOUT OF CONTENTS / DISPOSITION TYPOGRAPHIQUE DE CONTENU / DISPOSICION DEL CONTENIDO / ANORDNUNG DES INHALTS

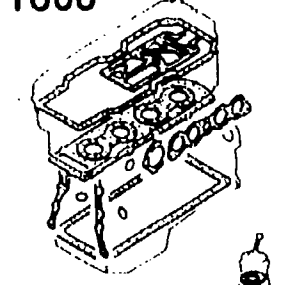
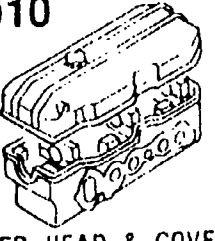
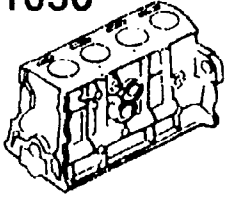
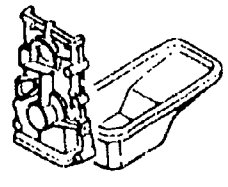

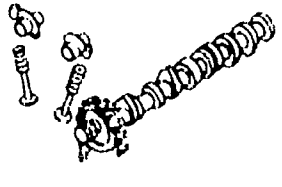
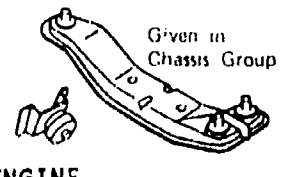
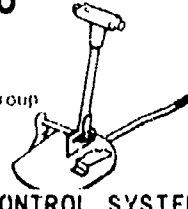
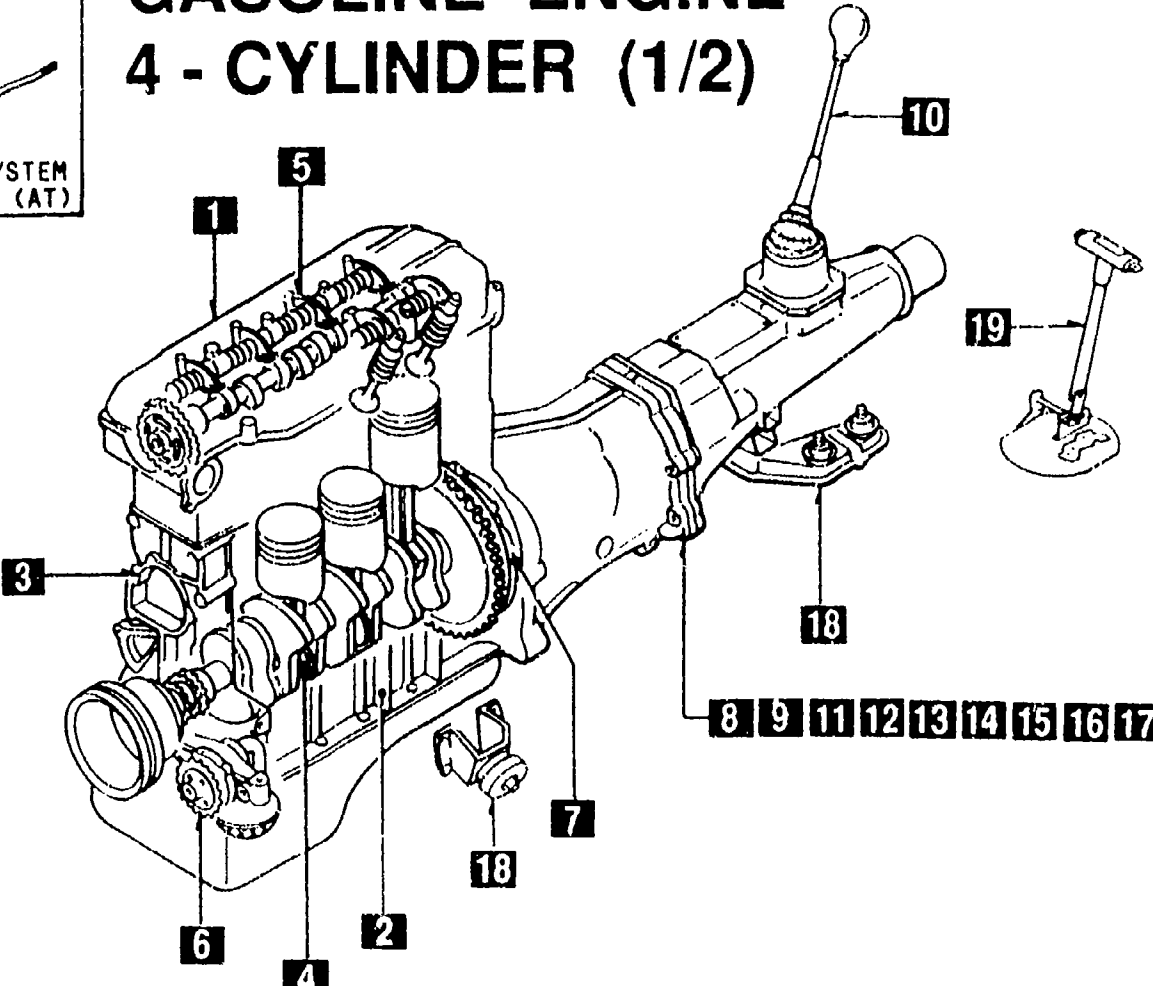
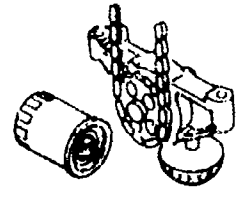
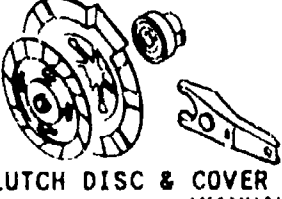
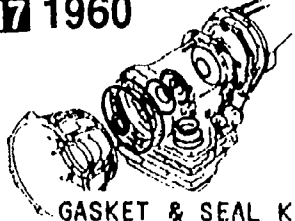
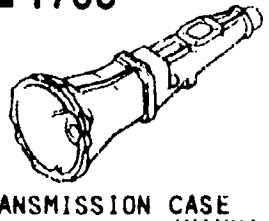
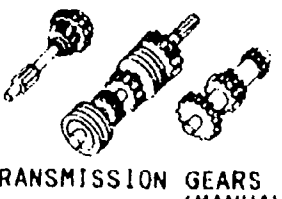
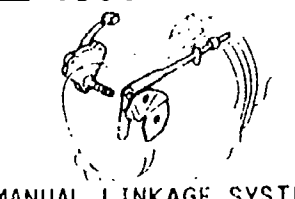
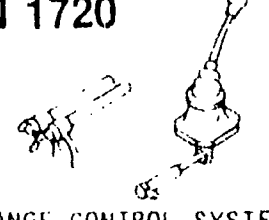
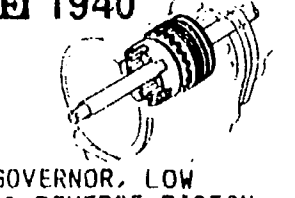
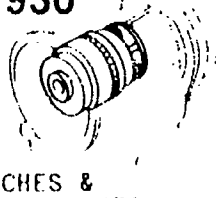
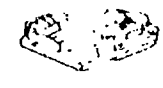
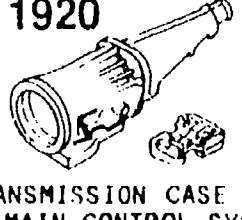
- The following is a typical example of the layout of contents on Mazda microfiche parts catalog:
- Voici un exemple typique de la disposition typographique de contenu dans les microfiches de catalogue des pièces de Mazda.
- El siguiente es un ejemplo típico de la disposición del contenido en una microficha del catálogo de repuestos de Mazda.
- Folgendes ist ein typisches Beispiel der Inhaltsanordnung des Mazda-Mikrofiche-Teilekatalogs.



Remark: The items listed under ④ have been deleted from each fiche since Dec. '93

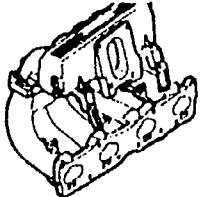
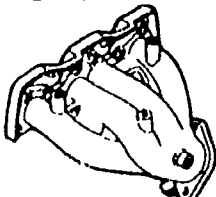
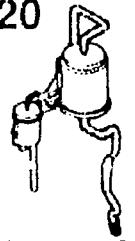
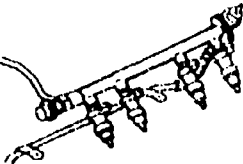

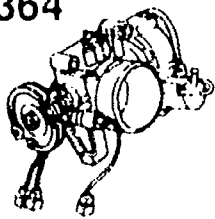
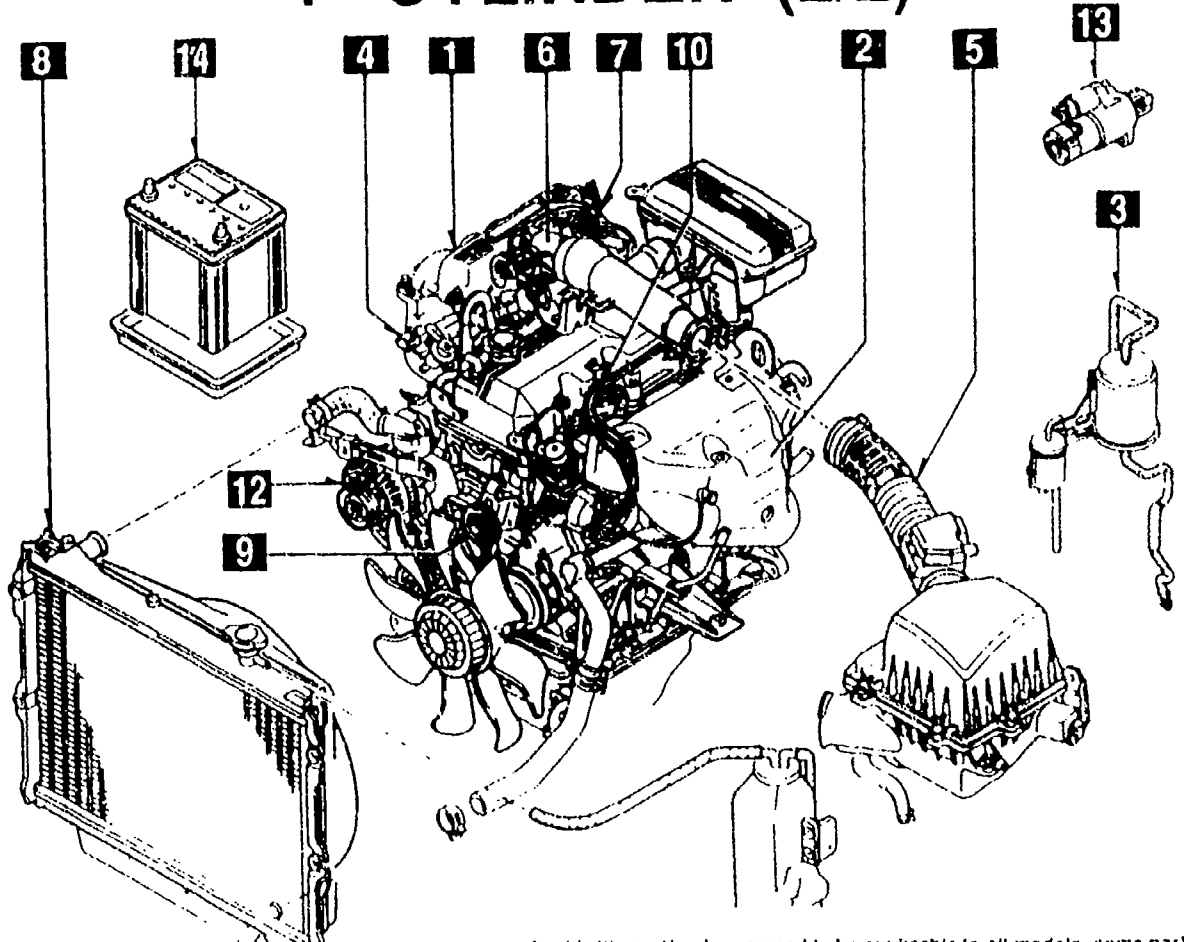
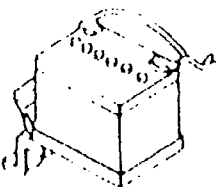
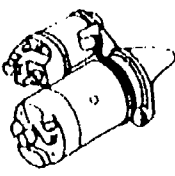
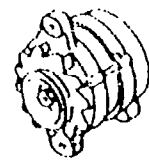
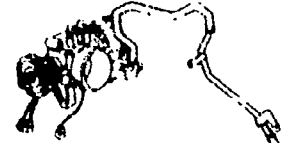
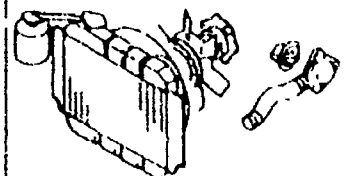

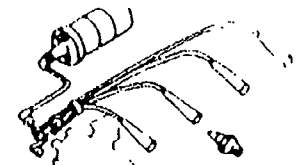
- | | | |
|--|---|---|
| ① • Layout of contents • Disposition Typographique de Contenu • Disposición del contenido • Anordnung des Inhalts | ② • Pictorial Index • Index par Schémas • Índice Gráfico • Illustrierter Index | ③ • Master Section No. Index • Index des Numéros des Sections Totale • Índice del Número de la Sección Maestra • Hauptauschnittsnummer-Index |
| ④ • Section No. Index for the Column • Index des Numéros des Sections pour les Colonnes • N° de la Sección para el Índice • Abschnittsnummer-Index für die Spalte | ⑤ • Illustration & Text • Illustrations et Textes • Ilustración y Texto • Abbildung und Text | ⑥ • Part No. Index • Index des Numéros des Pièces • Índice del N° de Pieza • Teile-Nr. Index |
| ⑦ • Alphabetical Index • Index Alphabétique • Índice Alfabético • Alphabetischer Index | ⑧ • Model Identification • Identification des Modèles • Identificación del Modelo • Modell Kennzeichnung | ⑨ • Vehicle Identification System • Systeme d'identification de Véhicule • Sistema de Identificación de Vehículo • Fahrzeug Identifikations system |

PICTORIAL INDEX

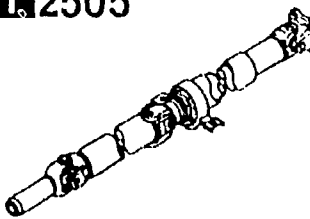
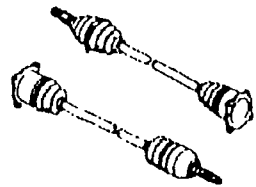

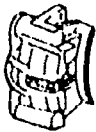
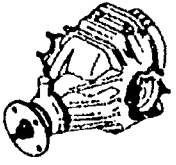

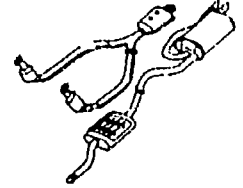
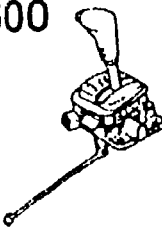
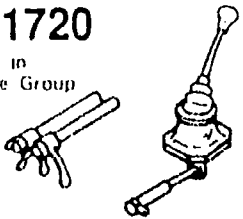
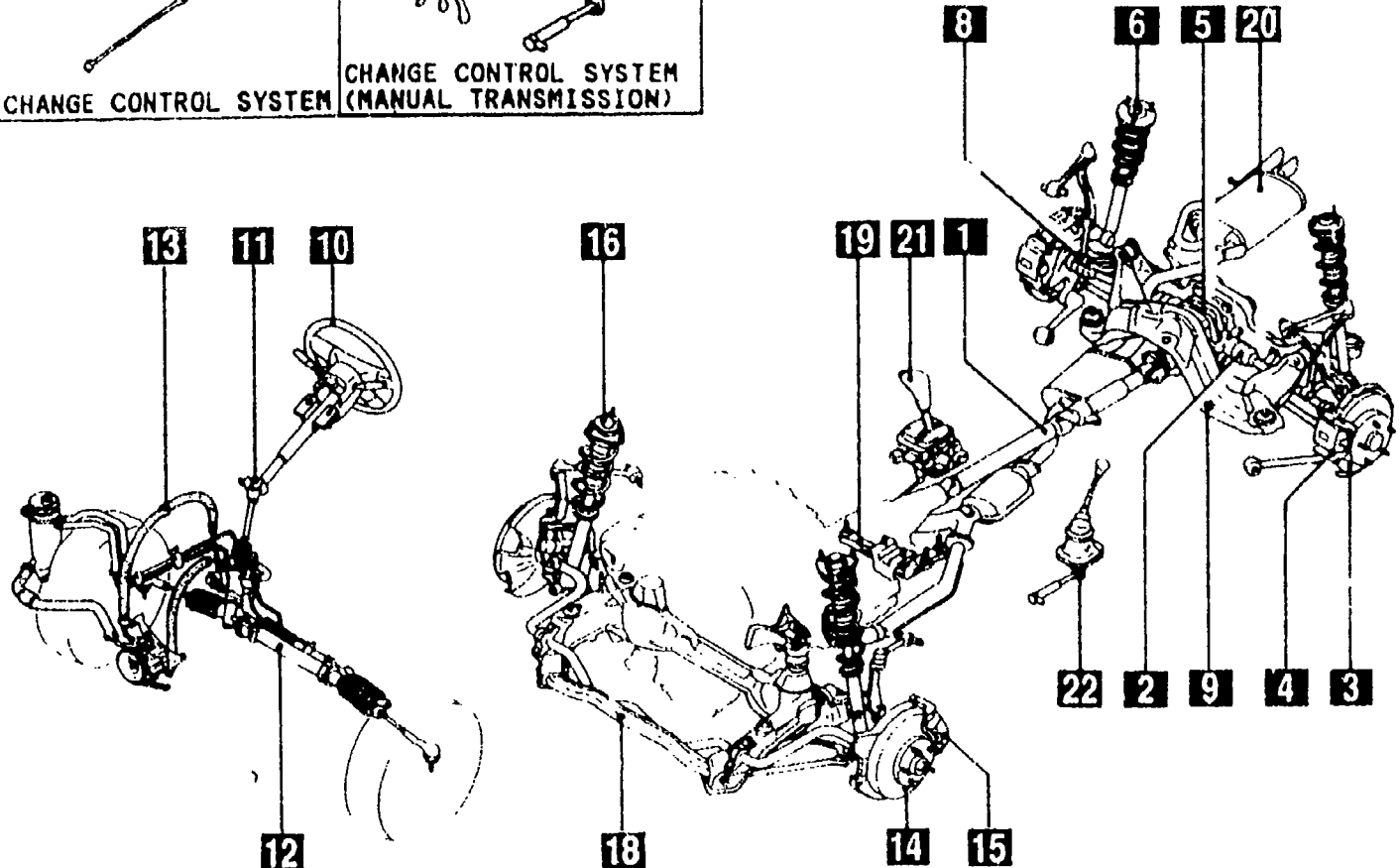
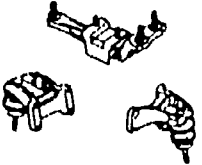

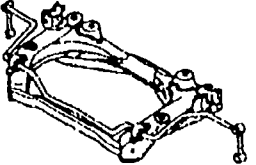


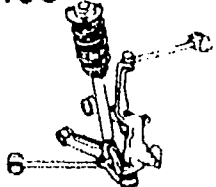



| | | | | | | |
|--|--|--|---|--|--|---|
| <p>1000</p>  <p>ENGINE & GASKET SETS</p> | <p>1 1010</p>  <p>CYLINDER HEAD & COVER</p> | <p>2 1030</p>  <p>CYLINDER BLOCK</p> | <p>3 1040</p>  <p>OIL PAN & TIMING COVER</p> | <p>4 1100</p>  <p>PISTON, CRANKSHAFT & FLYWHEEL</p> | <p>5 1200</p>  <p>VALVE SYSTEM</p> | |
| <p>18 3900</p>  <p>ENGINE & T/MISSION MOUNTINGS</p> | <p>19 4600</p> <p>Given in Chassis Group</p>  <p>CHANGE CONTROL SYSTEM (AT)</p> | <p style="text-align: center;">GASOLINE ENGINE 4 - CYLINDER (1/2)</p>  | | | <p>6 1400</p>  <p>OIL PUMP & FILTER</p> | <p>7 1600</p>  <p>CLUTCH DISC & COVER (MANUAL)</p> |
| <p>17 1960</p>  <p>GASKET & SEAL KIT (AUTOMATIC)</p> | | | | | <p>8 1700</p>  <p>TRANSMISSION CASE (MANUAL)</p> | <p>9 1710</p>  <p>TRANSMISSION GEARS (MANUAL)</p> |
| <p>16 1950</p>  <p>MANUAL LINKAGE SYSTEM (AUTOMATIC)</p> | | | | | <p>10 1720</p>  <p>CHANGE CONTROL SYSTEM (MANUAL)</p> | |
| <p>15 1940</p>  <p>GOVERNOR, LOW & REVERSE PISTON (AUTOMATIC)</p> | <p>14 1930</p>  <p>CLUTCHES & PLANETARY GEARS (AUTOMATIC)</p> | | | | <p>13 1925</p>  <p>CONTROL VALVE (AUTOMATIC)</p> | <p>12 1920</p>  <p>TRANSMISSION CASE & MAIN CONTROL SYSTEM (AUTOMATIC)</p> |

As this illustration is prepared to be applicable to all models, some parts are different in specifications from parts listed in this parts Catalog.

PICTORIAL INDEX

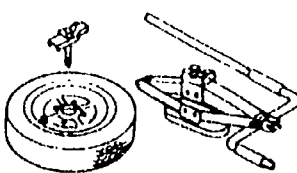
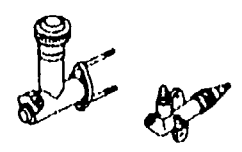
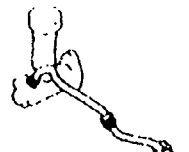
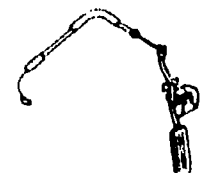
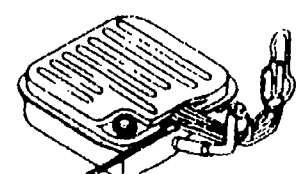
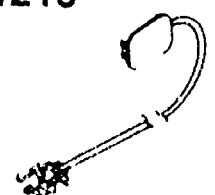
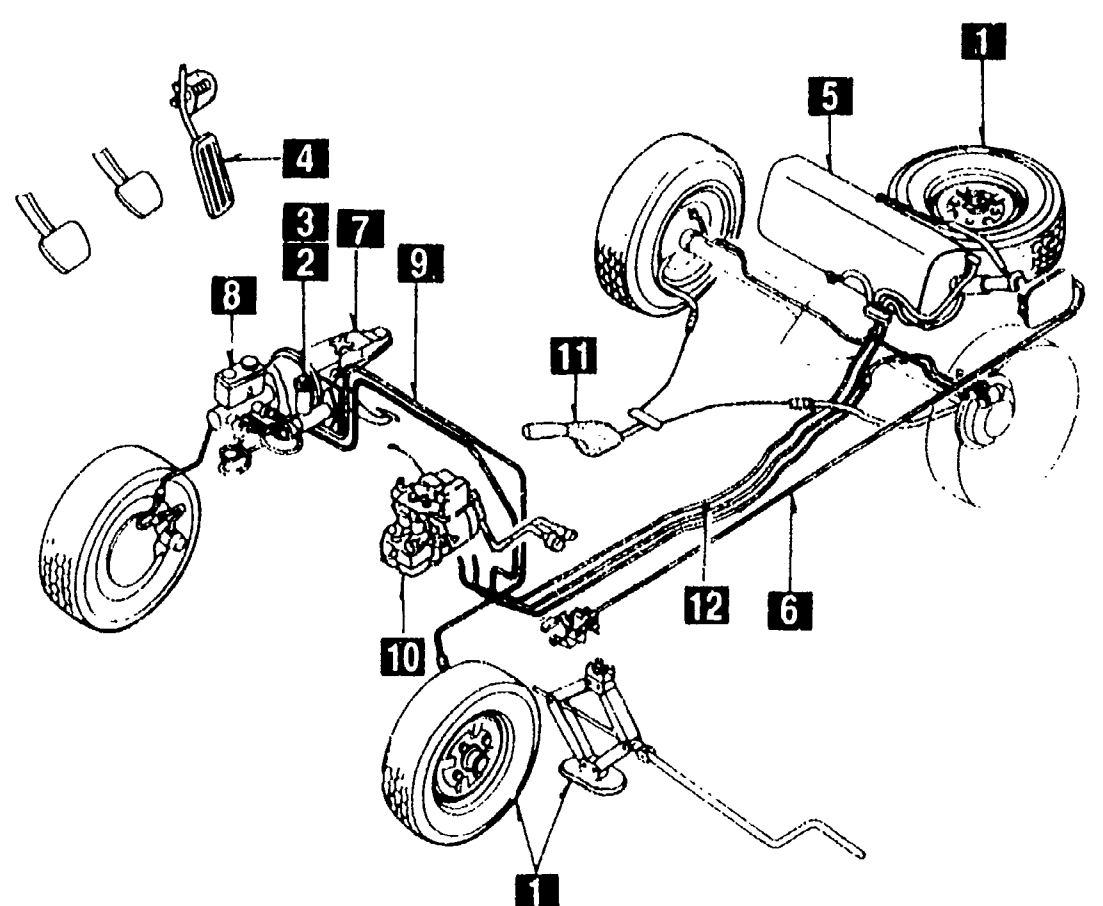
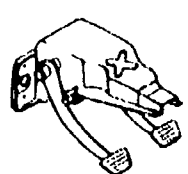
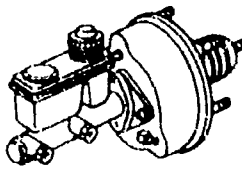

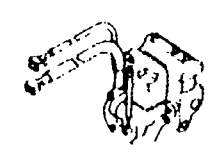


| | | | | | | | | |
|---|--|---|--|---|---|--|---|--|
| <p>1 1300</p>  <p>INLET MANIFOLD</p> | <p>2 1310</p>  <p>EXHAUST MANIFOLD</p> | <p>3 1320</p>  <p>FUEL SYSTEM</p> | <p>4 1325</p>  <p>FUEL DISTRIBUTOR</p> | <p>5 1330</p>  <p>AIR CLEANER</p> | <p>6 1364</p>  <p>THROTTLE BODY</p> | | | |
| <p>GASOLINE ENGINE 4 - CYLINDER (2/2)</p>  <p>As this illustration is prepared to be applicable to all models, some parts are different in specifications from parts listed in this parts Catalog</p> | | | | | | | | |
| <p>14 1850</p>  <p>BATTERY</p> | | | | | | <p>13 1840</p>  <p>STARTER</p> | <p>12 1830</p>  <p>ALTERNATOR</p> | <p>7 1370</p>  <p>EMISSION CONTROL SYSTEM (INLET SIDE)</p> <p>8 1500</p>  <p>COOLING SYSTEM</p> <p>9 1580</p>  <p>BRACKET, PULLEY & BELT</p> <p>10 1800</p>  <p>ENGINE ELECTRICAL SYSTEM</p> <p>11</p> |

PICTORIAL INDEX

| | | | | | | |
|--|--|---|---|---|--|--|
| <p>1 2505</p>  <p>REAR PROPELLER SHAFT</p> | <p>2 2550</p>  <p>REAR DRIVE SHAFT</p> | <p>3 2600</p>  <p>REAR AXLE</p> | <p>4 2610</p>  <p>REAR BRAKE MECHANISMS</p> | <p>5 2710</p>  <p>REAR DIFFERENTIALS</p> | <p>6 2800</p>  <p>REAR SUSPENSION MECHANISMS</p> | |
| <p>20 4000</p>  <p>EXHAUST SYSTEM</p> | <p>21 4600</p>  <p>CHANGE CONTROL SYSTEM</p> | <p>22 1720 <small>Given in Engine Group</small></p>  <p>CHANGE CONTROL SYSTEM (MANUAL TRANSMISSION)</p> | <h2 style="font-size: 2em;">CHASSIS (1/2)</h2>  | | | <p>7</p> |
| <p>19 3900</p>  <p>ENGINE & T/MISSION MOUNTINGS</p> | | | | <p>8 2810</p>  <p>REAR STABILIZER</p> | | |
| <p>18 3410</p>  <p>CROSSMEMBER & STABILIZER</p> | | | | <p>9 2830</p>  <p>REAR LOWER ARMS & SUB FRAME</p> | | |
| <p>17</p> | | | | <p>10 3200</p>  <p>STEERING WHEEL</p> | | |
| <p>16 3400</p>  <p>FRONT SUSPENSION MECHANISMS</p> | | | | <p>15 3310</p>  <p>FRONT BRAKE MECHANISMS</p> | <p>14 3300</p>  <p>FRONT AXLE</p> | <p>13 3240</p>  <p>POWER STEERING SYSTEM (FRONT)</p> |

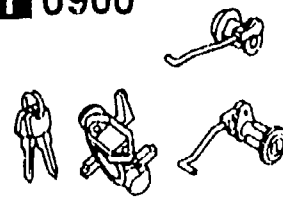

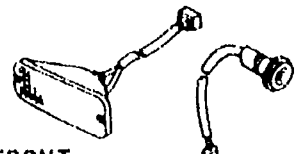

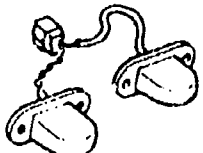
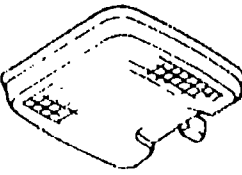
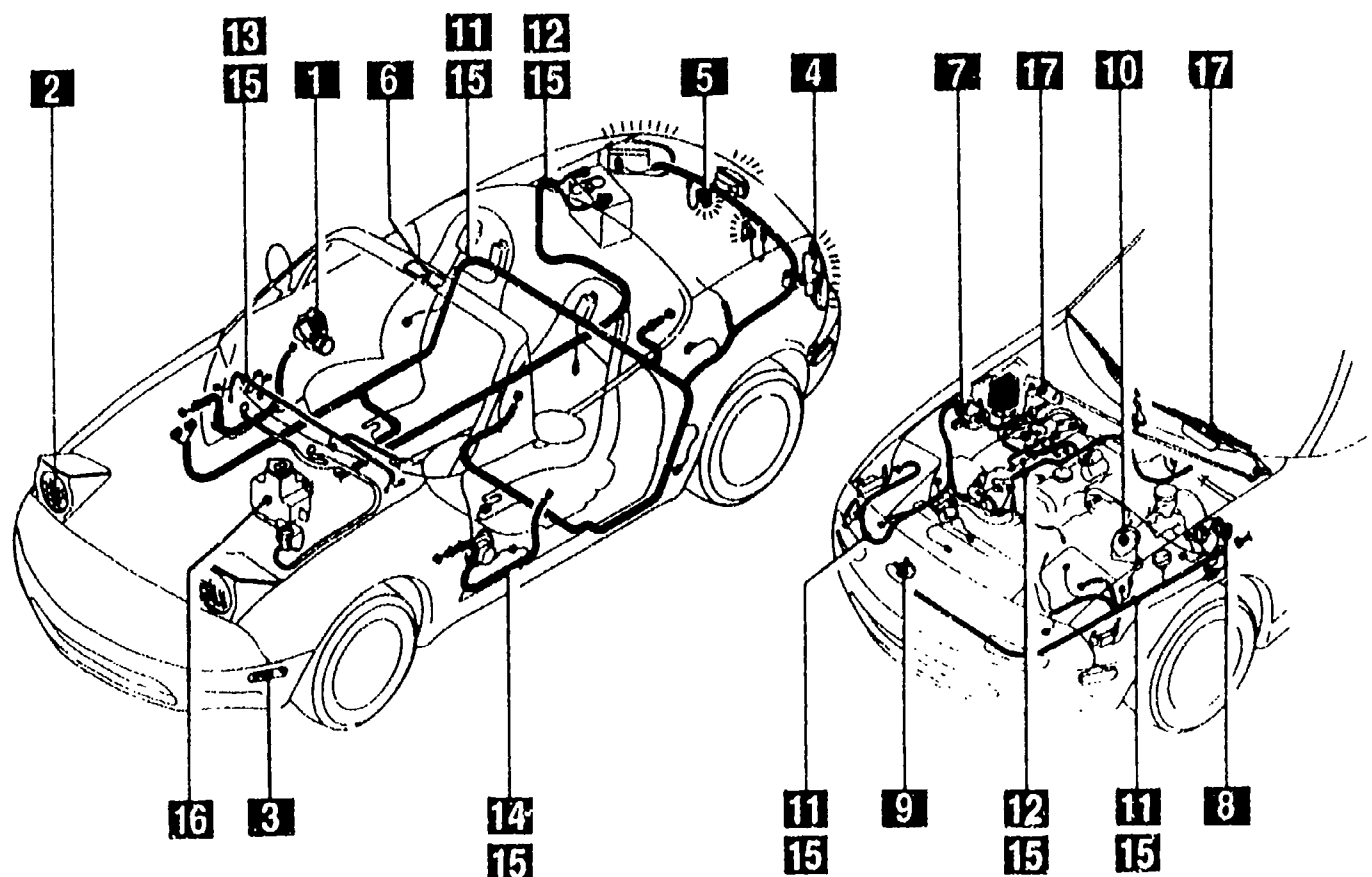

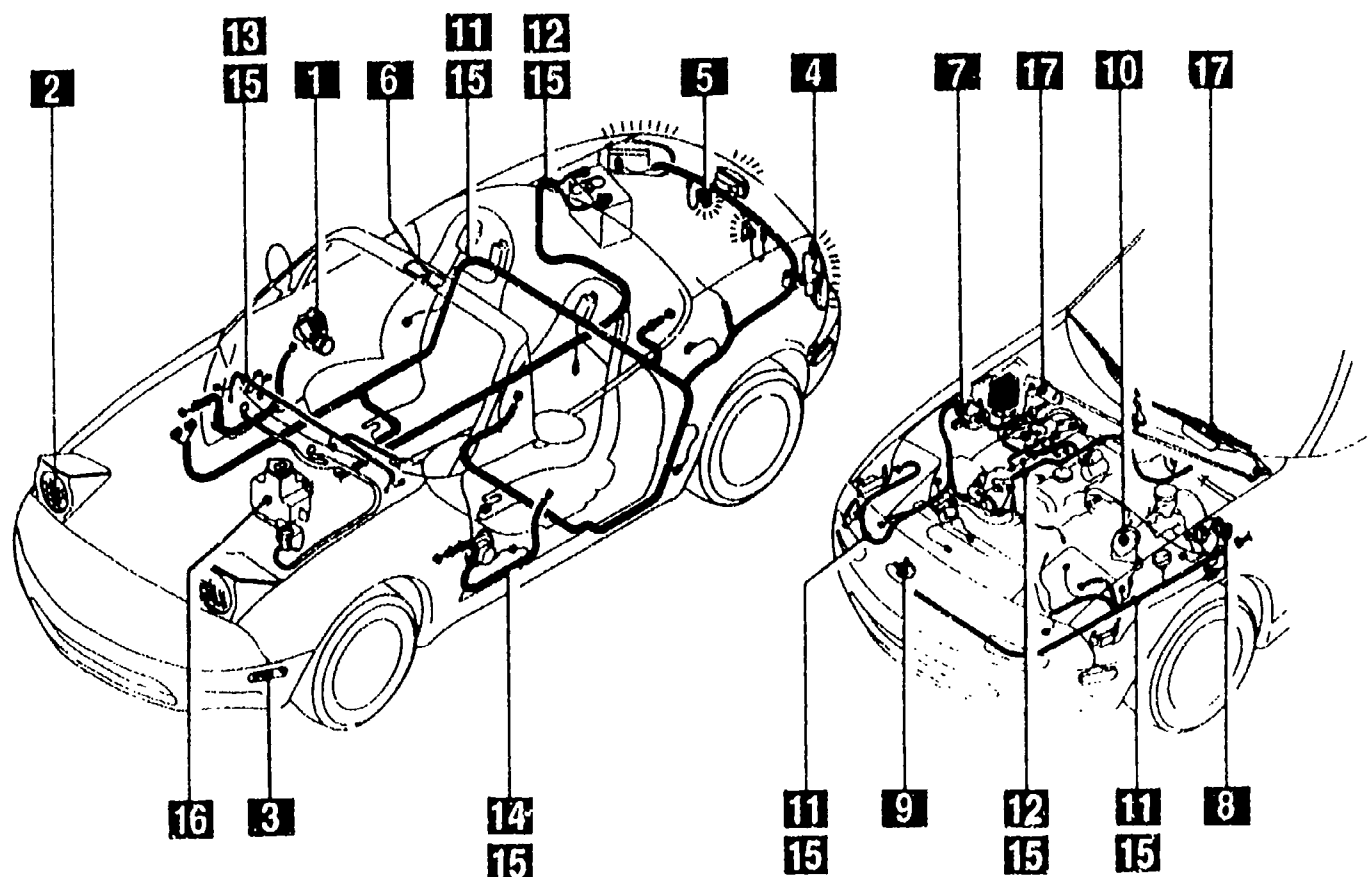
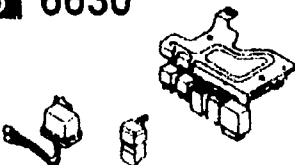
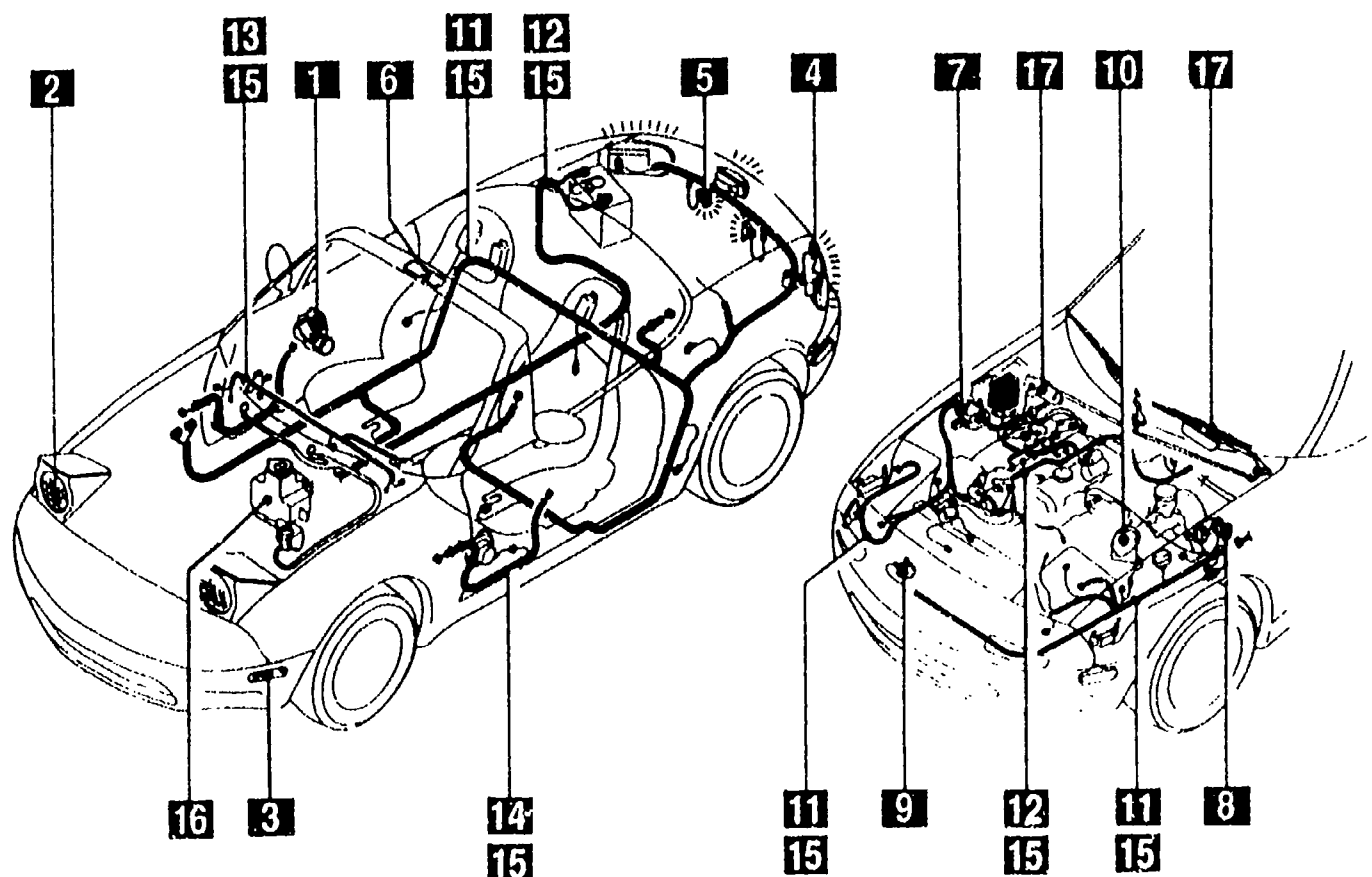
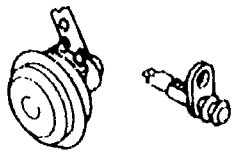
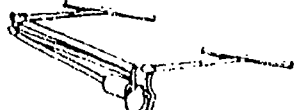

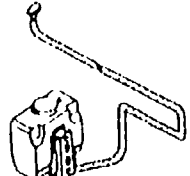
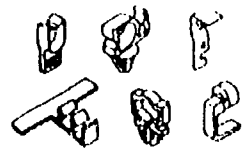

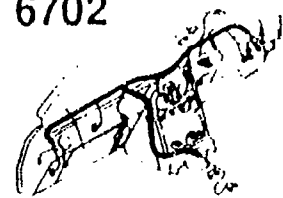
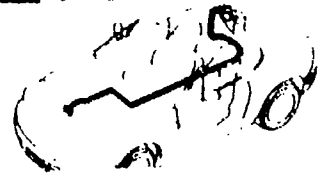
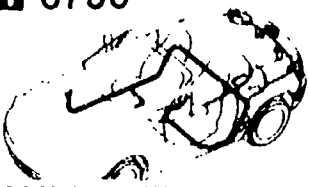
As this illustration is prepared to be applicable to all models, some parts are different in specifications from parts listed in this parts Catalog

PICTORIAL INDEX

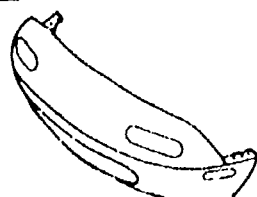
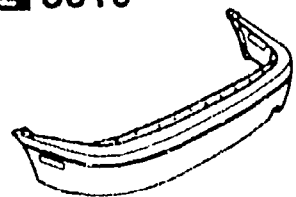
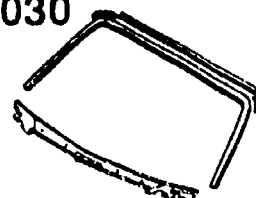
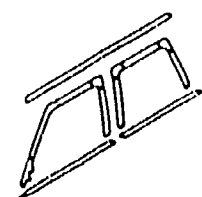

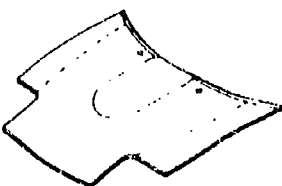
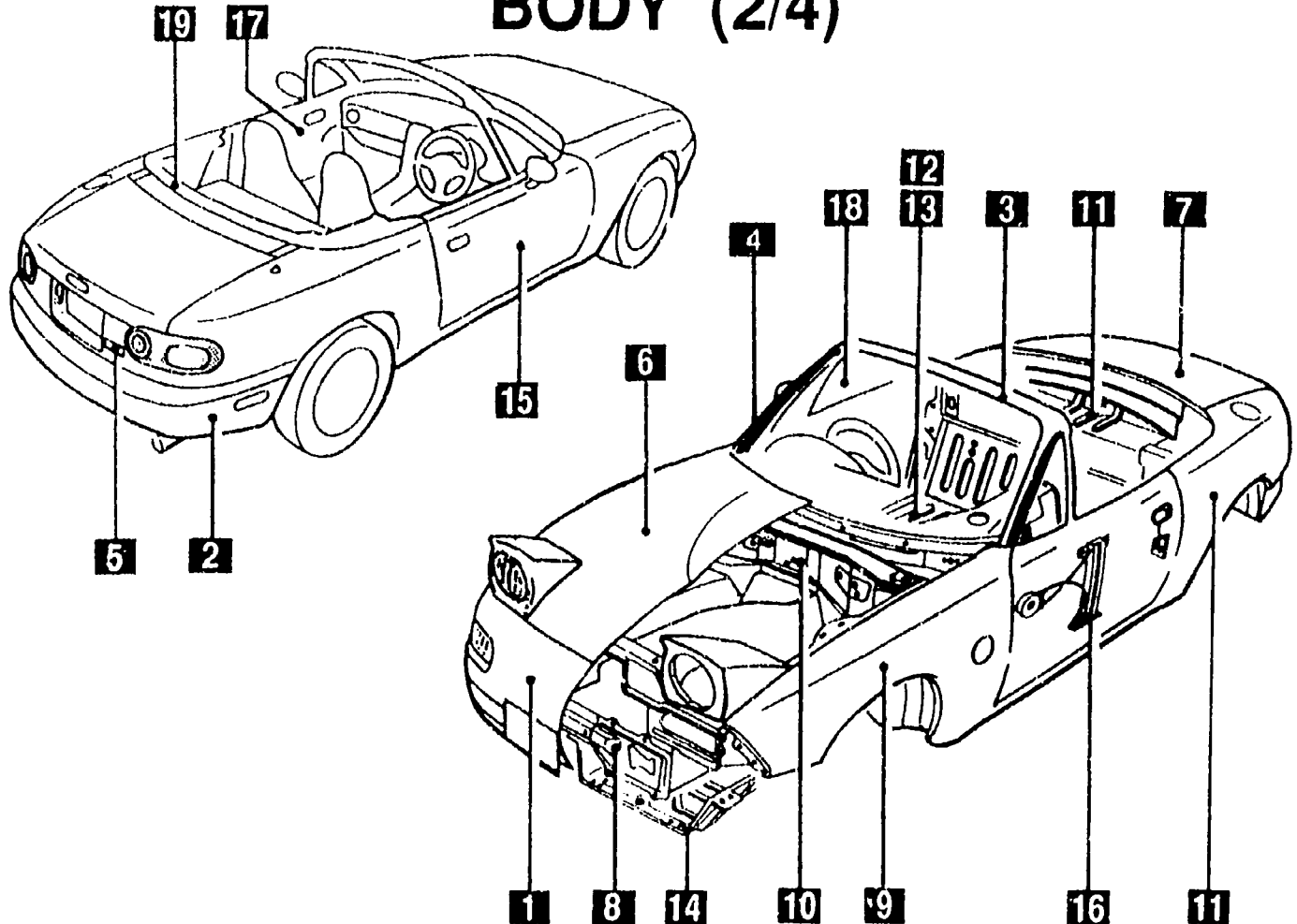
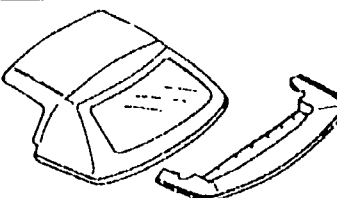
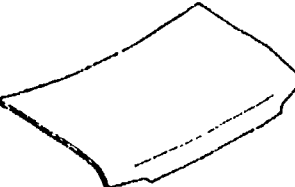
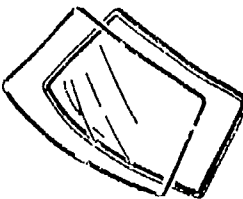
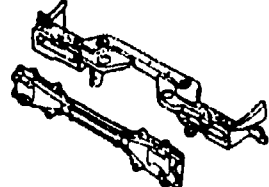
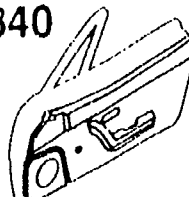

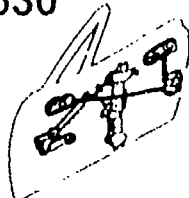
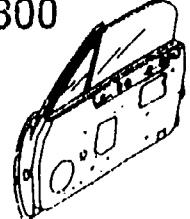
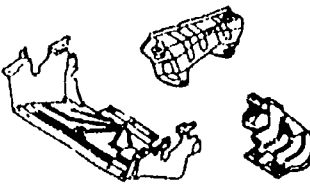
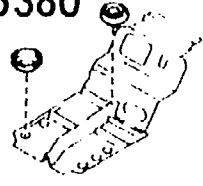
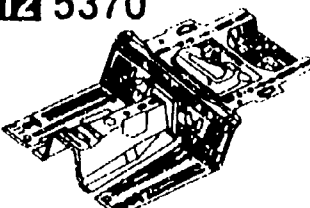
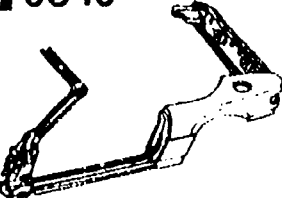
| | | | | | |
|---|---|--|--|---|---|
| 1 3700  TIRES & JACK | 2 4140  CLUTCH RELEASE & MASTER CYLINDERS | 3 4145  CLUTCH PIPINGS | 4 4160  ACCELERATOR CONTROL SYSTEM | 5 4200  FUEL TANK | 6 4210  FUEL LID OPENER |
| <h3 style="margin: 0;">CHASSIS (2/2)</h3>  | | | | | |
| | | | | | 7 4300  CLUTCH & BRAKE PEDALS |
| | | | | | 8 4340  BRAK : MASTER CYLINDER & POWER BRAKE |
| | | | | | 9 4360  BRAKE PIPINGS |
| | | | | | 10 4370  ANTILOCK BRAKE SYSTEM |
| | | | | 12 4500  FUEL PIPINGS | 11 4400  PARKING BRAKE SYSTEM |

As this illustration is prepared to be applicable to all models, some parts are different in specifications from parts listed in this parts catalog.

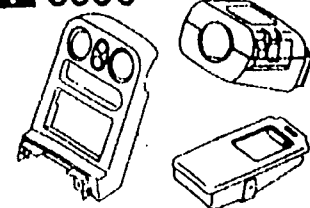
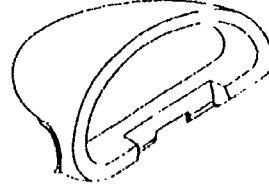
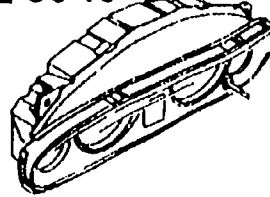
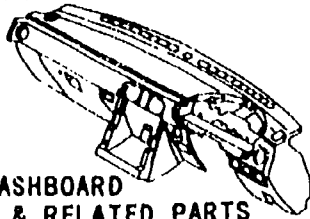
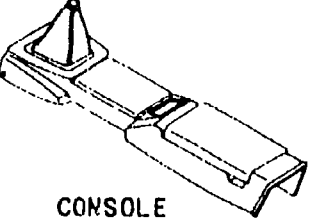
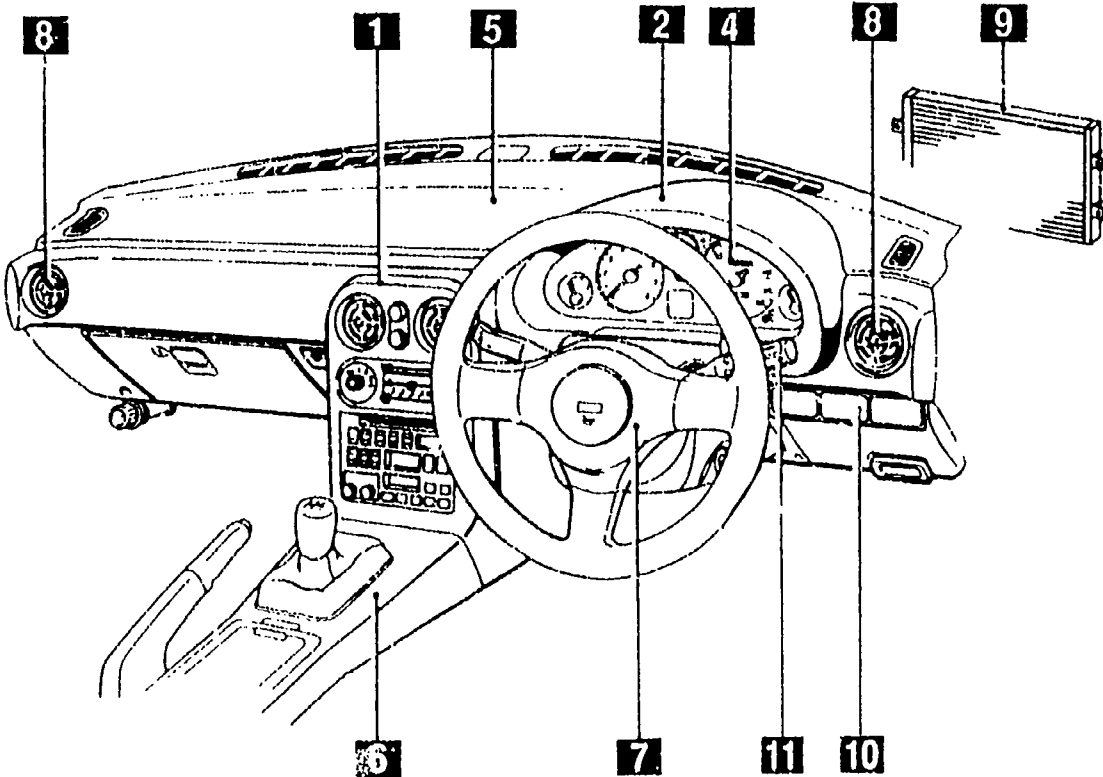
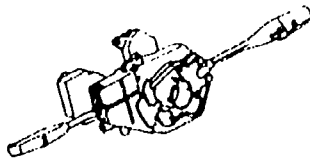
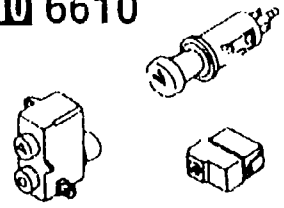
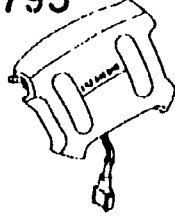
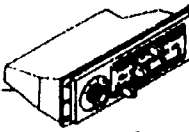
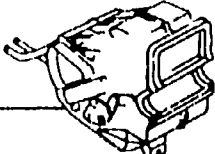

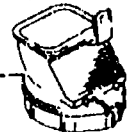
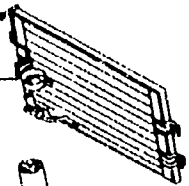


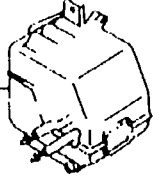
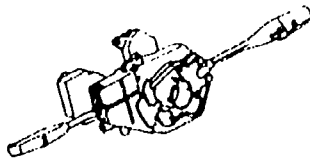
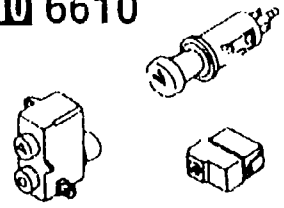
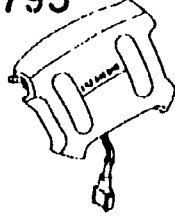
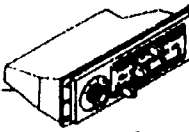
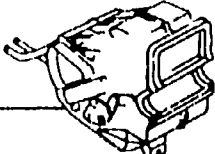

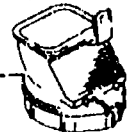
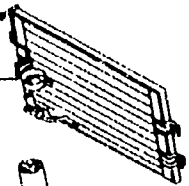


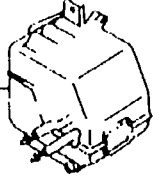
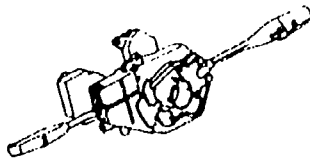
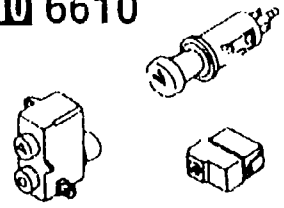
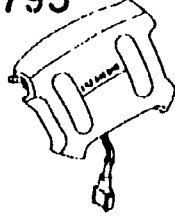
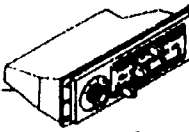
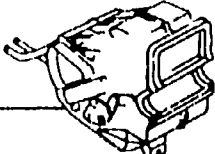

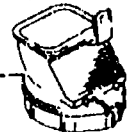
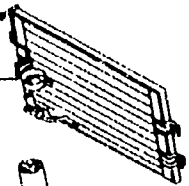


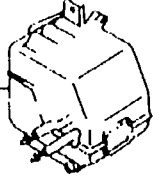
PICTORIAL INDEX

| | | | | | | | |
|--|---|--|--|---|---|--|---|
| <p>1 0900</p>  <p>KEY SETS</p> | <p>2 5100</p>  <p>HEAD LAMPS</p> | <p>3 5105</p>  <p>FRONT COMBINATION LAMPS</p> | <p>4 5110</p>  <p>REAR COMBINATION LAMPS</p> | <p>5 5120</p>  <p>LICENSE LAMPS</p> | <p>6 5125</p>  <p>INTERIOR LAMPS</p> | | |
| <p>BODY (1/4)</p>  | | | | | | <p>7 6600</p>  <p>SWITCHES & RELAYS (ENGINE)</p> | |
| <p>BODY (1/4)</p>  | | | | | | <p>8 6630</p>  <p>RELAYS & UNIT (BODY)</p> | |
| <p>BODY (1/4)</p>  | | | | | | <p>9 6635</p>  <p>DOOR SWITCH & HORNS</p> | |
| <p>17 6730</p>  <p>WINDSHIELD WIPERS</p> | <p>As this illustration is prepared to be applicable to all models, some parts are different in specifications from parts listed in this parts Catalog.</p> | | | | | | <p>10 6640</p>  <p>AUTO CRUISE CONTROL SYSTEM</p> |
| <p>16 6720</p>  <p>WINDSHIELD WASHER</p> | <p>15 6704</p>  <p>WIRING HARNESS CLAMPS</p> | <p>14 6703</p>  <p>WIRING HARNESSSES (DOOR, FLOOR/CEILING)</p> | <p>13 6702</p>  <p>WIRING HARNESSSES (DASHBOARD)</p> | <p>12 6701</p>  <p>WIRING HARNESSSES (ENGINE & T/MISSION)</p> | <p>11 6700</p>  <p>WIRING HARNESSSES (FRONT & REAR)</p> | | |

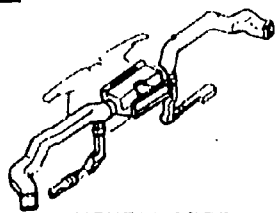

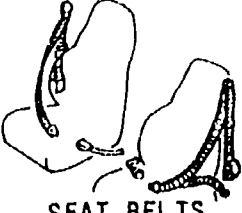
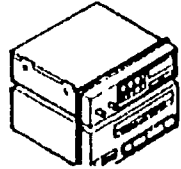
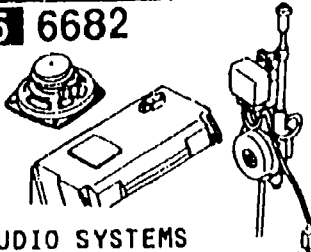
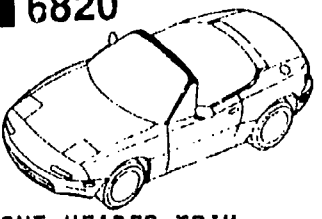
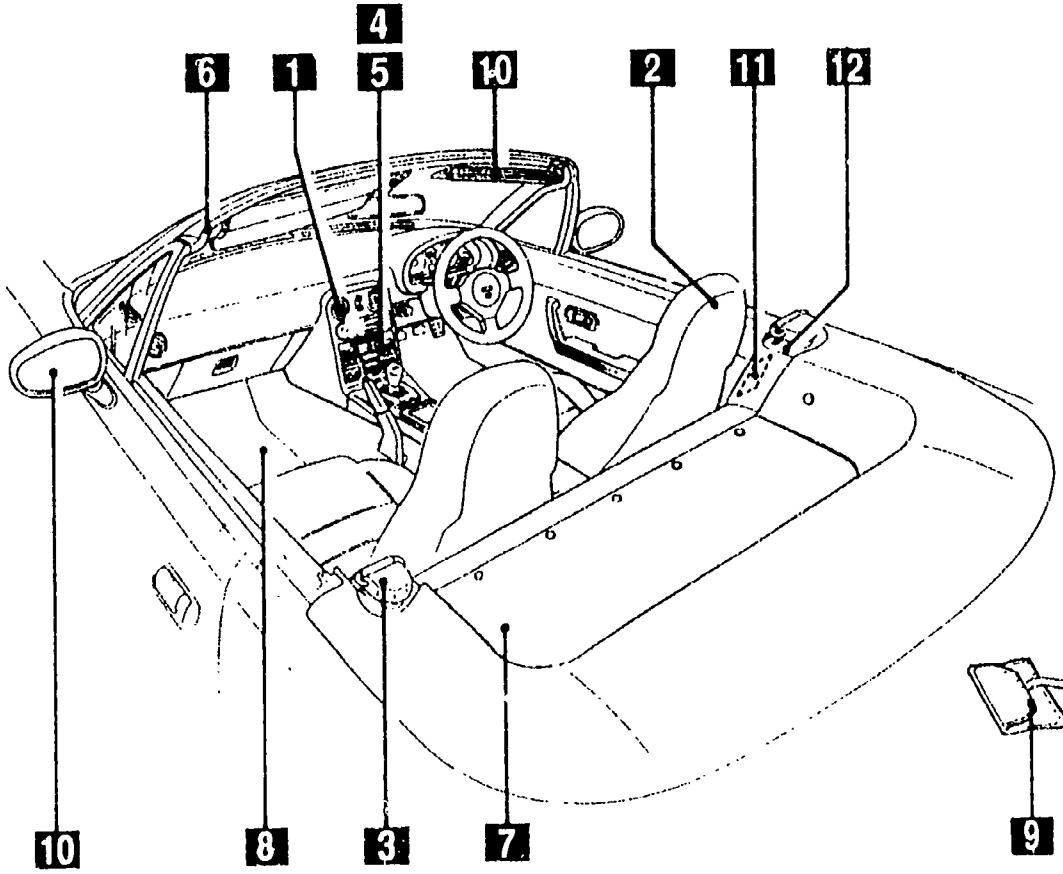
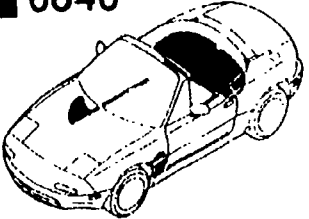
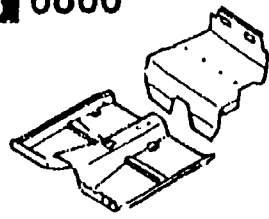
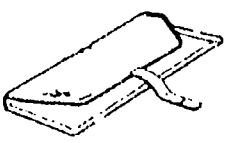
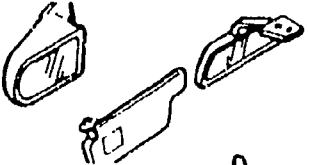


PICTORIAL INDEX

| | | | | | |
|---|--|--|--|---|---|
| <p>1 5000</p>  <p>FRONT BUMPER</p> | <p>2 5010</p>  <p>REAR BUMPER</p> | <p>3 5030</p>  <p>WINDOW MOULDING & COWL GRILLES</p> | <p>4 5040</p>  <p>BODY MOULDINGS</p> | <p>5 5170</p>  <p>ORNAMENTS</p> | <p>6 5230</p>  <p>BONNET</p> |
| <p>BODY (2/4)</p>  | | | | | |
| <p>19 6330</p>  <p>SUNROOF</p> | | | | | <p>7 5260</p>  <p>TRUNK LID</p> |
| <p>18 6300</p>  <p>WINDOW GLASSES</p> | | | | | <p>8 5310</p>  <p>FRONT PANELS</p> |
| <p>17 5840</p>  <p>FRONT DOOR TRIMS & RELATED PARTS</p> | | | | | <p>9 5320</p>  <p>FENDER & WHEEL APRON PANELS</p> |
| <p>16 5830</p>  <p>FRONT DOOR MECHANISMS</p> | <p>15 5800</p>  <p>FRONT DOORS</p> | <p>14 5390</p>  <p>FLOOR ATTACHMENTS</p> | <p>13 5380</p>  <p>FLOOR ATTACHMENTS (HOLE COVERS)</p> | <p>12 5370</p>  <p>FLOOR PANELS</p> | <p>11 5340</p>  <p>SIDE PANELS</p> |

PICTORIAL INDEX

| | | | | | | | | | | |
|---|---|---|--|--|---|---|---|---|--|--|
| <p>1 5500</p>  <p>DASHBOARD EQUIPMENTS</p> | <p>2 5520</p>  <p>METER HOOD</p> | <p>3</p> | <p>4 5540</p>  <p>METER COMPONENTS</p> | <p>5 5560</p>  <p>DASHBOARD & RELATED PARTS</p> | <p>6 5570</p>  <p>CONSOLE</p> | | | | | |
| <h2 style="margin: 0;">BODY (3/4)</h2> | | | | | | | | | | |
|  | | | | | | | | | | |
| <p style="font-size: small;">As this illustration is prepared to be applicable to all models, some parts are different in specifications from parts listed in this parts Catalog.</p> | | | | | | | | | | |
| <table style="width: 100%; border: none;"> <tr> <td style="width: 16.6%; border: none; padding: 5px;"> <p>11 6611</p>  <p>COMBINATION SWITCH</p> </td> <td style="width: 16.6%; border: none; padding: 5px;"> <p>10 6610</p>  <p>DASHBOARD SWITCHES</p> </td> <td style="width: 16.6%; border: none; padding: 5px;"> <p>7 5795</p>  <p>AIR BAG</p> </td> <td style="width: 16.6%; border: none; padding: 5px;"> <p>8</p>  <p>6115</p>  <p>6110</p>  <p>6100</p>  <p>6120</p> <p>HEATER</p> </td> <td style="width: 16.6%; border: none; padding: 5px;"> <p>9</p>  <p>6130</p>  <p>6135</p>  <p>6140</p>  <p>6150</p> <p>AIR CONDITIONER</p> </td> </tr> </table> | | | | | | <p>11 6611</p>  <p>COMBINATION SWITCH</p> | <p>10 6610</p>  <p>DASHBOARD SWITCHES</p> | <p>7 5795</p>  <p>AIR BAG</p> | <p>8</p>  <p>6115</p>  <p>6110</p>  <p>6100</p>  <p>6120</p> <p>HEATER</p> | <p>9</p>  <p>6130</p>  <p>6135</p>  <p>6140</p>  <p>6150</p> <p>AIR CONDITIONER</p> |
| <p>11 6611</p>  <p>COMBINATION SWITCH</p> | <p>10 6610</p>  <p>DASHBOARD SWITCHES</p> | <p>7 5795</p>  <p>AIR BAG</p> | <p>8</p>  <p>6115</p>  <p>6110</p>  <p>6100</p>  <p>6120</p> <p>HEATER</p> | <p>9</p>  <p>6130</p>  <p>6135</p>  <p>6140</p>  <p>6150</p> <p>AIR CONDITIONER</p> | | | | | | |

PICTORIAL INDEX

| | | | | | |
|--|---|--|---|---|--|
| <p>1 5580</p>  <p>VENTILATOR</p> | <p>2 5700</p>  <p>SEATS</p> | <p>3 5790</p>  <p>SEAT BELTS</p> | <p>4 6680</p>  <p>AUDIO SYSTEMS (RADIO & TAPE DECK)</p> | <p>5 6682</p>  <p>AUDIO SYSTEMS (ANTENNA & SPEAKER)</p> | <p>6 6820</p>  <p>FRONT HEADER TRIM & PILLAR TRIMS</p> |
| <p>BODY (4/4)</p>  <p>As this illustration is prepared to be applicable to all models, some parts are different in specifications from parts listed in this parts Catalog.</p> | | | | | |
| <p>7 6840</p>  <p>TRIMS & SCUFF PLATES</p> <p>8 6860</p>  <p>FLOOR MATS & PADS</p> <p>9 6870</p>  <p>SERVICE TOOLS</p> <p>10 6900</p>  <p>V. JRS. ASSIST HANDLES & MIRRORS</p> <p>11 6930</p>  <p>CAUTION PLATES & LABELS</p> <p>12 7250</p>  <p>QUARTER WINDOW & TRIMS</p> | | | | | |

MASTER SECTION NUMBER INDEX

(1/5)

| Location No. | Section No. | ENGLISH | FRANÇAIS |
|--------------|-------------|--|---|
| 1-C3 | 1000A | ENGINE & GASKET SETS | MOTEUR ET JEU DE JOINTS |
| 1-E3 | 1010A | CYLINDER HEAD & COVER | CULASS. ET COUVRE-CULASSE |
| 1-I3 | 1030A | CYLINDER BLOCK | BLOC-CYLINDRES |
| 1-J3 | 1040A | OIL PAN & TIMING COVER | CARTER D'HUILE ET COUVERCLE DE CHAÎNE DE DISTRIBUTION |
| 1-L3 | 1100A | PISTON, CRANKSHAFT & FLYWHEEL | PISTON, VILEBREQUIN ET VOLANT MOTEUR |
| 1-C4 | 1200A | VALVE SYSTEM | SYSTEME DE DISTRIBUTION |
| 1-F4 | 1300A | INLET MANIFOLD | COLLECTEUR D.ADMISSION |
| 1-G4 | 1310A | EXHAUST MANIFOLD | COLLECTEUR D.ECHAPPEMENT |
| 1-H4 | 1320A | FUEL SYSTEM | SYSTEME D.ALIMENTATION |
| 1-I4 | 1325A | FUEL DISTRIBUTOR | REPARTITEUR D'HUILE |
| 1-J4 | 1330A | AIR CLEANER | FILTRE A AIR |
| 1-L4 | 1364A | THROTTLE BODY | CORPS DE PAPILLON |
| 1-M4 | 1370A | EMISSION CONTROL SYSTEM (INLET SIDE) | SYSTEME DE CONTROLE DES EMISSIONS (COTE ADM.) |
| 1-E5 | 1400A | OIL PUMP & FILTER | POMPE A HUILE ET FILTRE A HUILE |
| 1-G5 | 1500A | COOLING SYSTEM | SYSTEME DE REFROIDISSEMENT |
| 1-K5 | 1580A | BRACKET, PULLEY & BELT | SUPPORT DE COMPRESSEUR, POULIE ET COURROIE (CLIMATISEUR) |
| 1-O6 | 1600A | CLUTCH DISC & COVER (5-SPEED) | DISQUE ET COUVERCLE D'EMBRAYAGE (B.V. MANUELLE) (5-VITESSES) |
| 1-D6 | 1600AA | CLUTCH DISC & COVER (6-SPEED) | DISQUE ET COUVERCLE D'EMBRAYAGE (B.V. MANUELLE) (6-VITESSES) |
| 1-E6 | 1700A | MANUAL TRANSMISSION CASE (5-SPEED) | CARTER DE BOITE DE VITESSES (MANUELLE) (5-VITESSES) |
| 1-I6 | 1700AA | MANUAL TRANSMISSION CASE (6-SPEED) | CARTER DE BOITE DE VITESSES (MANUELLE) (6-VITESSES) |
| 1-K6 | 1710A | MANUAL TRANSMISSION GEARS (5-SPEED) | PIGONS DE BOITE DE VITESSES (MANUELLE) (5-VITESSES) |
| 1-E7 | 1710AA | MANUAL TRANSMISSION GEARS (6-SPEED) | PIGONS DE BOITE DE VITESSES (MANUELLE) (6-VITESSES) |
| 1-L7 | 1720A | MANUAL TRANSMISSION CHANGE CONTROL SYSTEM (5-SPEED) | SYSTEME DE COMMANDE DU CHANGEMENT DE VITESSE (MANUELLE) (5 VITESSES) |
| 1-N7 | 1720AA | MANUAL TRANSMISSION CHANGE CONTROL SYSTEM (6-SPEED) | SYSTEME DE COMMANDE DU CHANGEMENT DE VITESSE (MANUELLE) (6 VITESSES) |
| 1-E8 | 1800A | ENGINE ELECTRICAL SYSTEM | SYSTEME ELECTRIQUE DU MOTEUR |

MASTER SECTION NUMBER INDEX

(2/5)

| Location No | Section No | ENGLISH | FRANÇAIS |
|-------------|------------|---|---|
| 1-F8 | 1830A | ALTERNATOR | ALTERNATEUR |
| 1-G8 | 1840A | STARTER | DEMARPEUR |
| 1-I8 | 1850A | BATTERY | BATTERIE |
| 1-J8 | 1910A | AUTOMATIC TRANSMISSION TORQUE CONVERTER, OIL PUMP & PIPINGS | CONVERTISSEUR DE COUPLE, POMPE A HUILE ET TUYAUTERIES (AUTOMATIQUE) |
| 1-L8 | 1920A | AUTOMATIC TRANSMISSION CASE & MAIN CONTROL SYSTEM | CARTER DE TRANSMISSION ET SYSTEME PRINCIPAL DE COMMANDE (AUTOMATIQUE) |
| 1-O9 | 1925A | AUTOMATIC TRANSMISSION CONTROL VALVE | SOUPAPE DE COMMANDE (AUTOMATIQUE) |
| 1-D9 | 1930A | AUTOMATIC TRANSMISSION CLUTCHES & PLANETARY GEARS | EMBAYAGES ET PIGNONS PLANETAIRES (AUTOMATIQUE) |
| 1-I9 | 1940A | AUTOMATIC TRANSMISSION GOVERNOR, LOW & REVERSE PISTON | GOUVERNEUR, PISTON PREMIEREMARCHE AR (AUTOMATIQUE) |
| 1-K9 | 1960A | AUTOMATIC TRANSMISSION GASKET & SEAL KIT | KIT DE JOINTS ET JOINTS D'ETANCHEINTE (AUTOMATIQUE) |
| 1-G11 | 2505A | REAR PROPELLER SHAFT | ARBRE DE TRANSMISSION AR |
| 1-D11 | 2550A | REAR DRIVE SHAFT | DEMI-ARBRES AR |
| 1-E11 | 2600A | REAR AXLE | PONT AR |
| 1-G11 | 2610A | REAR BRAKE MECHANISMS | MECANISMES DE FREIN AR |
| 1-J11 | 2710AA | REAR DIFFERENTIALS (NORMAL DIFF.) | DIFFERENTIELS AR (DIFFERENTIEL NORMAL) |
| 1-N11 | 2710AB | REAR DIFFERENTIALS (LIMITED SLIP DIFF.) | DIFFERENTIELS AR (DIFFERENTIEL AUTO-BLOQUANT) |
| 1-F12 | 2800A | REAR SUSPENSION MECHANISMS | MECANISMES DE SUSPENSION AR |
| 1-H12 | 2810A | REAR STABILIZER | STABILISATEUR AR |
| 1-I12 | 2830A | REAR LOWER ARMS & SUB FRAME | BRAS INFERIEURS AR ET FAUX-CADRE |
| 1-K12 | 3200A | STEERING WHEEL | VOLANT DE DIRECTION |
| 1-L12 | 3210A | STEERING COLUMN & SHAFTS | COLONNE DE DIRECTION ET AXE LONGITUDINAL |
| 1-M12 | 3220A | STEERING GEAR | BOITIER DE DIRECTION |
| 1-F13 | 3240A | POWER STEERING SYSTEM | SYSTEME DE DIRECTION ASSISTEE |
| 1-J13 | 3300A | FRONT AXLE | ESSEU AV |
| 1-L13 | 3310A | FRONT BRAKE MECHANISMS | MECANISMES DE FREINAGE AV |
| 1-N13 | 3400A | FRONT SUSPENSION MECHANISMS | MECANISMES DE SUSPENSION AV |
| 1-F14 | 3410A | CROSSMEMBER & STABILIZER | TRAVERSE ET STABILISATEUR |
| 1-F14 | 3700A | TIRES & JACK | PNEUS ET CRIC |
| 1-G15 | 3900A | ENGINE & TRANSMISSION MOUNTINGS | TASSEAUX DE MOTEUR ET DE BOITE DE VITESSES |

MASTER SECTION NUMBER INDEX

(3/5)

| Location No | Section No | ENGLISH | FRANÇAIS |
|-------------|------------|--|--|
| 1-D15 | 4000A | EXHAUST SYSTEM | SYSTEME D'ECHAPPEMENT |
| 1-E15 | 414CA | MANUAL TRANSMISSION CLUTCH RELEASE & MASTER CYLINDERS | CYLINDRE DE DEBRAYAGE ET MAITRE-CYLINDRE D'EMBRAYAGE (BOITE DE VITESSE MANUELLE) |
| 1-F15 | 4145A | MANUAL TRANSMISSION CLUTCH PIPINGS | TUYAU D'EMBRAYAGE (MANUELLE) |
| 1-G15 | 4160A | ACCELERATOR CONTROL SYSTEM | SYSTEME DE COMMANDE DE L. ACCELERATEUR |
| 1-H15 | 4200A | FUEL TANK | RESERVOIR DE CARBURANT |
| 1-N15 | 4210A | FUEL LID OPENER | OUVREUR TRAPPE CARBURANT |
| 1-C16 | 4300A | MANUAL TRANSMISSION CLUTCH & BRAKE PEDALS | PEDALES D'EMBRAYAGE ET DE FREIN |
| 1-F16 | 4300B | AUTOMATIC TRANSMISSION BRAKE PEDAL | PEDALES DE FREIN (AUTOMATIQUE) |
| 1-H16 | 4340A | BRAKE MASTER CYLINDER & POWER BRAKE (W/O ANTILOCK BRAKE) | MAITRE-CYLINDRE DE FREIN ET FREIN ASSISTE (SANS SYSTEME D'ANTIBLOC) |
| 1-J16 | 4340AA | BRAKE MASTER CYLINDER & POWER BRAKE (W/ANTILOCK BRAKE) | MAITRE-CYLINDRE DE FREIN ET FREIN ASSISTE (AVEC SYSTEME D'ANTIBLOC) |
| 1-L16 | 4360A | BRAKE PIPINGS (W/O ANTILOCK BRAKE) | CANALISATIONS DE FREIN (SANS SYSTEME D'ANTIBLOC) |
| 2-C3 | 4360AA | BRAKE PIPINGS (W/ANTILOCK BRAKE) | CANALISATIONS DE FREIN (AVEC SYSTEME D'ANTIBLOC) |
| 2-E3 | 4370A | ANTILOCK BRAKE SYSTEM | SYSTEM D'ANTIBLOC |
| 2-F3 | 4400A | PARKING BRAKE SYSTEM | SYSTEME DE FREIN DE STATIONNEMENT |
| 2-H3 | 4500A | FUEL PIPINGS | CANALISATIONS DE CARBURANT |
| 2 I3 | 4600A | CHANGE CONTROL SYSTEM (AT) | SYSTEME DE COMMANDE DES VITESSES (BOITE DE VITESSE AUTOMATIQUE) |
| 2 C5 | 0900A | KEY SETS | JEUX DE CLES |
| 2-E5 | 5000A | FRONT BUMPER | PARE-CHOC AV |
| 2-G5 | 5010A | REAR BUMPER | PARE-CHOC AR |
| 2 J5 | 5030A | WINDOW MOULDING & COM. GRILLES | MOULAGE POUR CADRE DE VITRE & GRILLE DE AUVENT |
| 2-K5 | 5040A | BODY MOULDINGS | MOULURES DE CARROSSERIE |
| 2-L5 | 5100A | HEAD LAMPS | PHARES |
| 2-N5 | 5105A | FRONT COMBINATION LAMPS | FEUX COMBINES AV |
| 2 O6 | 5110A | REAR COMBINATION LAMPS | FEUX COMBINES AR |
| 2 E6 | 5120A | LICENSE LAMPS | FEUX L. PLAQUE |
| 2-F6 | 5125A | INTERIOR LAMPS | PLAFONNIER |

MASTER SECTION NUMBER INDEX

(4/5)

| Location No. | Section No. | ENGLISH | FRANÇAIS |
|--------------|-------------|--|---|
| 2-G6 | 5170A | ORNAMENTS | ORNEMENTS |
| 2-H6 | 5230A | BONNET | CAPOT |
| 2-J6 | 5260A | TRUNK LID | COUVERCLE DE COFFRE A BAGAGES |
| 2-L6 | 5310A | FRONT PANELS | PANNEAUX DE CARROSSERIE (AV) |
| 2-M6 | 5320A | FENDER & WHEEL APRON PANELS | PANNEAUX DE CARROSSERIE (AILE ET TABLIER D'AILE) |
| 2-E7 | 5330A | DASH & CONL PANELS | PANNEAUX DE CARROSSERIE (TABLIER ET PANNEAU D'AUVENT) |
| 2-F7 | 5340A | SIDE PANELS | PANNEAUX DE CARROSSERIE (LATERAUX) |
| 2-K7 | 5370A | FLOOR PANELS | PANNEAUX DE CARROSSERIE (PLANCHER) |
| 2-N7 | 5380A | FLOOR ATTACHMENTS (HOLE COVERS) | ACCESSOIRES DU PLANCHER (TROU COUVERCLE) |
| 2-D8 | 5390A | FLOOR ATTACHMENTS | ACCESSOIRES DU PLANCHER |
| 2-O9 | 5500A | DASHBOARD EQUIPMENTS | EQUIPEMENTS DU TABLEAU DE BORD |
| 2-D9 | 5520A | METER HOOD | VISIERE DE COMPTEURS |
| 2-E9 | 5540A | METER COMPONENTS | COMPTEURS |
| 2-G9 | 5560A | DASHBOARD & RELATED PARTS | TABLEAU DE BORD ET PIECES CONNEXES |
| 2-I9 | 5570A | CONSOLE | CONSOLE |
| 2-M9 | 5580A | VENTILATOR | AERATEUR |
| 2-N9 | 5700A | SEATS | SIEGES |
| 2-H10 | 5790A | SEAT BELTS | CEINTURES DE SECURITE |
| 2-I10 | 5795A | AIR BAG | SAC A AIR |
| 2-J10 | 5800A | FRONT DOORS | PORTES AV |
| 2-M10 | 5830A | FRONT DOOR MECHANISMS | MECANISMES DE PORTES AV |
| 2-H11 | 5840A | FRONT DOOR TRIMS & RELATED PARTS | GARNITURES ET PIECES CONNEXES |
| 2-G12 | 6100A | HEATER | CHAUFFAGE |
| 2-D12 | 6110A | HEATER UNIT COMPONENTS | COMPOSANTS DU CHAUFFAGE |
| 2-E12 | 6115A | HEATER CONTROL COMPONENTS | COMPOSANTS DES COMMANDES DE CHAUFFAGE |
| 2-F12 | 6120A | HEATER BLOWER COMPONENTS | COMPOSANTS DU VENTILATEUR DE CHAUFFAGE |
| 2-G12 | 6130A | AIR CONDITIONER | CLIMATISEUR |
| 2-K12 | 6135A | AIR CONDITIONING COOLING PIPE O-RING | JEU JOINTS TORIQUE, TUYAUTERIE |
| 2-L12 | 6140A | AIR CONDITIONING COMPRESSOR COMPONENTS | COMPOSANTS DU COMPRESSEUR CLIMATISEUR |

MASTER SECTION NUMBER INDEX

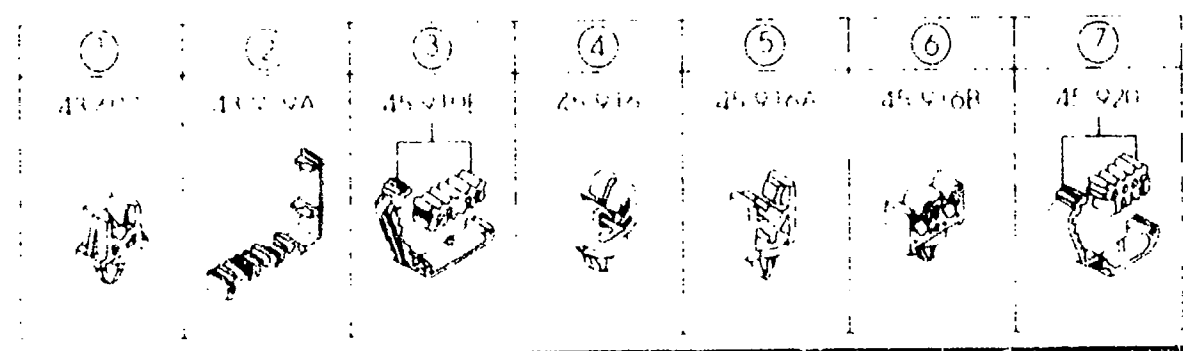
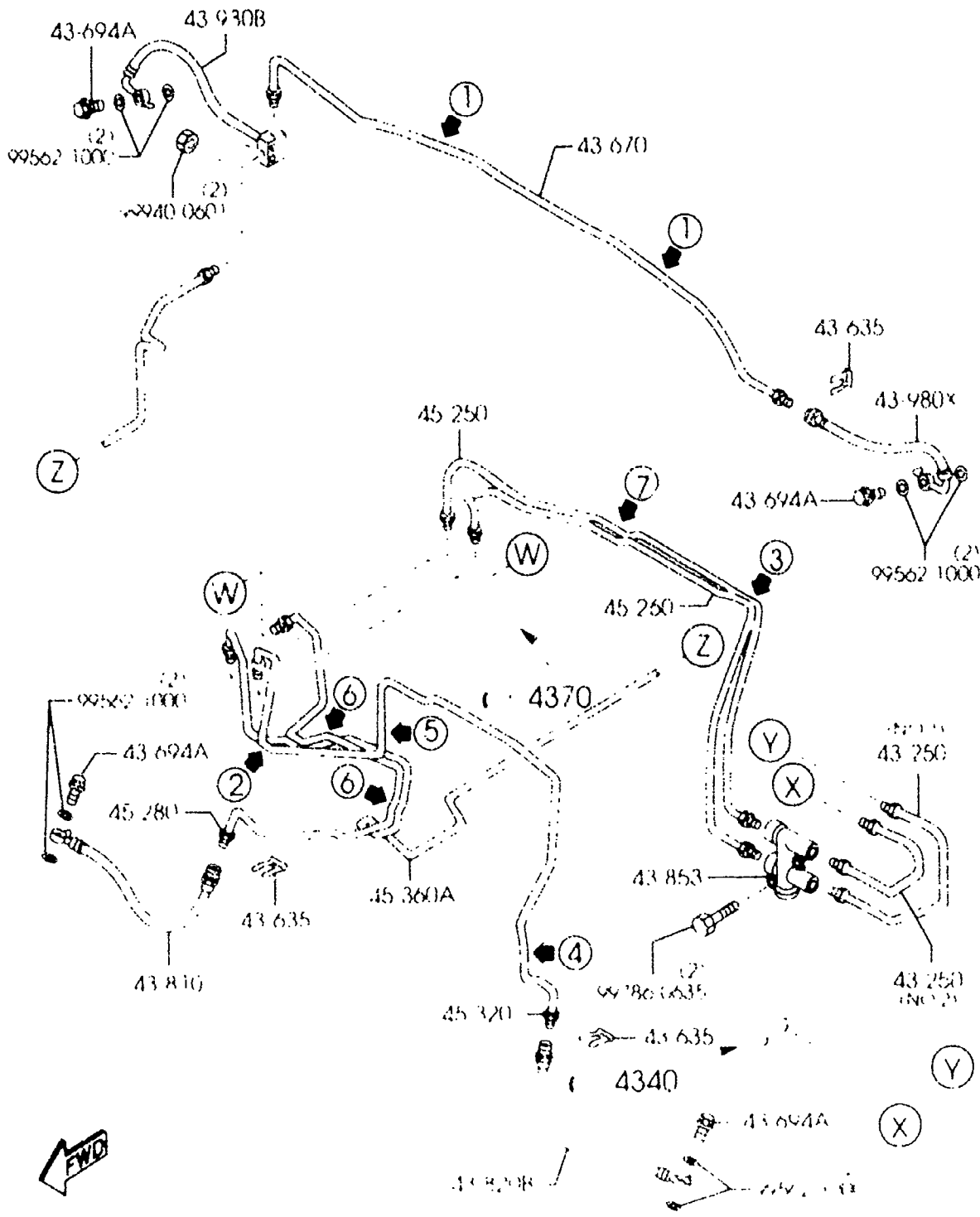
(5/5)

| Location No | Section No. | ENGLISH | FRANÇAIS |
|-------------|-------------|---|--|
| 2-M12 | 6150A | AIR CONDITIONING COOLING UNIT | UNITE DE REFROIDISSEMENT (CLIMATISEUR) |
| 2-N12 | 6300A | WINDOW GLASSES | VITRES |
| 2-C13 | 6330A | SUNROOF | TOIT OUVRANT |
| 2-D14 | 6600A | ENGINE SWITCHES & RELAYS | INTERRUPTEURS ET RELAIS (MOTEUR) |
| 2-H14 | 6610A | DASHBOARD SWITCHES | INTERRUPTEURS SUR TABLEAU DE BORD |
| 2-J14 | 6611A | COMBINATION SWITCH | INTERRUPTEUR COMBINE |
| 2-K14 | 6630A | BODY RELAYS & UNIT | RELAIS ET UNITE (CARROSSERIE) |
| 2-N14 | 6635A | DOOR SWITCH & HORNS | INTERRUPTEUR PORTE ET AVERTISSEUR |
| 2-C15 | 6640A | AUTO CRUISE CONTROL SYSTEM | SYSTEME DE REGLAGE AUTOMATIQUE DE CROISIERE |
| 2-E15 | 6680A | AUDIO SYSTEMS (RADIO & TAPE DECK) | SYSTEMES SONORES (RADIO ET LECTEUR DE CASSETTE) |
| 2-L15 | 6682A | AUDIO SYSTEMS (ANTENNA & SPEAKER) | SYSTEMES SONORES (ANTENNE ET HAUT-PARLEUR) |
| 2-G16 | 6700A | FRONT & REAR WIRING HARNESSSES | FAISCEAUX DE FILS (AV ET AR) |
| 2-F16 | 6701A | ENGINE & TRANSMISSION WIRING HARNESSSES | FAISCEAUX DE FILS (MOTEUR ET BOITE DE VITESSES) |
| 2-I16 | 6702A | DASHBOARD WIRING HARNESSSES | FAISCEAUX DE FILS (TABLEAU DE BORD) |
| 2-J16 | 6703A | DOOR, FLOOR & CEILING WIRING HARNESSSES | FAISCEAUX DE FILS (PORTE, PLANCHER ET PLAFOND) |
| 2-K16 | 6704A | WIRING HARNESS CLAMPS | COLLIERS DE FAISCEAU DE FILS |
| 3-G3 | 6720A | WINDSHIELD WASHER (W/O ANTILOCK BRAKE) | LAVE-GLACE (SANS SYSTEME D'ANTIBLOC) |
| 3-G3 | 6720B | WINDSHIELD WASHER (W/ANTILOCK BRAKE) | LAVE-GLACE (AVEC SYSTEME D'ANTIBLOC) |
| 3-J3 | 6730A | WINDSHIELD WIPERS | ESSUIE-GLACE |
| 3-L3 | 6820A | FRONT HEADER TRIM & PILLAR TRIMS | GARNITURE DE ENTRETOISE AVANT ET GARNITURE DE PILIER |
| 3-M3 | 6840A | TRIMS & SCUFF PLATES | GARNITURES ET SEUILS DE PORTE |
| 3-D4 | 6860A | FLOOR MATS & PADS | TAPIS ET BOURRELETS DE PLANCHER |
| 3-G4 | 6870A | SERVICE TOOLS | OUTILS DE SERVICE |
| 3-H4 | 6900A | SUN VISORS, ASSIST HANDLES & MIRRORS | PARE-SOLEIL, POIGNEES DE MAINTIEN ET MIROIRS |
| 3-K4 | 6930A | CAUTION PLATES & LABELS | PLAQUETTES ET ETIQUETTES D'AVERTISSEMENT |
| 3-M4 | 7250A | QUARTER WINDOW & TRIMS | VITRE ET GARNITURES, CUSTODE AIR |

2-F-2

4360AA BRAKE PIPINGS
(W/ANTILOCK BRAKE)

4360AA-1 BRAKE PIPINGS
(W/ANTILOCK BRAKE)



| PART NO. | QTY | MODEL/RESTRICTION | MODEL/RESTRICTION | MODEL/RESTRICTION | FROM-TO |
|----------------------------------|-----|------------------------|----------------------------|-------------------|---------|
| 43-250 | | PIPE NO.1, BRAKE-A. B. | TUYAU NO.1, FREIN-A. B. | | |
| NC72-43-250A | 1 | (ILLUST. NO.1) | | | 0B01 |
| NC74-43-250A AN(NC74-43-250B) | 1 | (ILLUST. NO.2) | | | 0B01- |
| NC74-43-250B | 1 | (ILLUST. NO.2) | | | |
| 43-607 | | CLIP, RR BRAKE PIPE | COLLIER, TUYAU FREIN | | |
| G309-43-607 | 2 | | | | |
| 43-635 | | CLIP, FLEXIBLE HOSE | ATTACHE, CONDUIT FLEXIBLE | | |
| W023-43-635A | 3 | | | | |
| 43-670 | | PIPE, BRAKE-REAR | CONDUIT, FREIN ARRIERE | | |
| NA01-43-670C | 1 | | | | |
| 43-694A | | BOLT, CONNECTOR | BOULON | | |
| B001-43-694A | 4 | | | | |
| 43-810 | | HOSE, FLEXIBLE | DURITE FLEXIBLE | | |
| N067-43-810 | 1 | | | | |
| 43-820B | | HOSE, FLEXIBLE | DURITE FLEXIBLE NO 2 | | |
| N067-43-820 | 1 | | | | |
| 43-853 | | JOINT, PIPE | RACCORD | | |
| N069-43-853 | 1 | | | | |
| 43-919A | | HOLDER, BRAKE PIPE | SUPPORT, TUYAU FREIN | | |
| NA20-45-915 | 1 | | | | |
| 43-980B | | HOSE(R), FLEXIBLE-RR | FLEXIBLE(D), FLEX. ARRIERE | | |
| NA75-43-980A | 1 | | | | |
| 43-980X | | HOSE(L), FLEXIBLE-RR | FLEXIBLE(G), FLEX. ARRIERE | | |
| NA75-43-990A | 1 | | | | |
| 45-250 | | PIPE, BRAKE-FRT | CONDUIT, DE FREIN AVANT | | |
| NC86-45-250 | 1 | | | | |
| 45-260 | | PIPE NO.2, BRAKE-FRT. | TUYAU NO 2, FREIN AV | | |
| NC86-45-240 | 1 | | | | |

0B01 NB35** - 206344

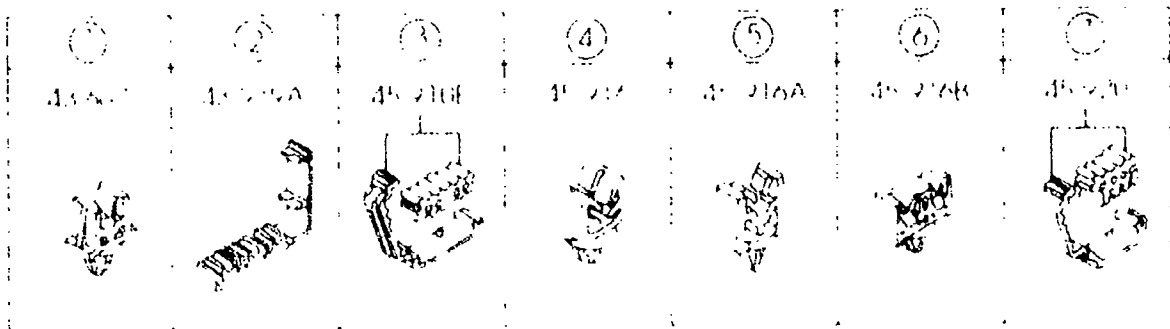
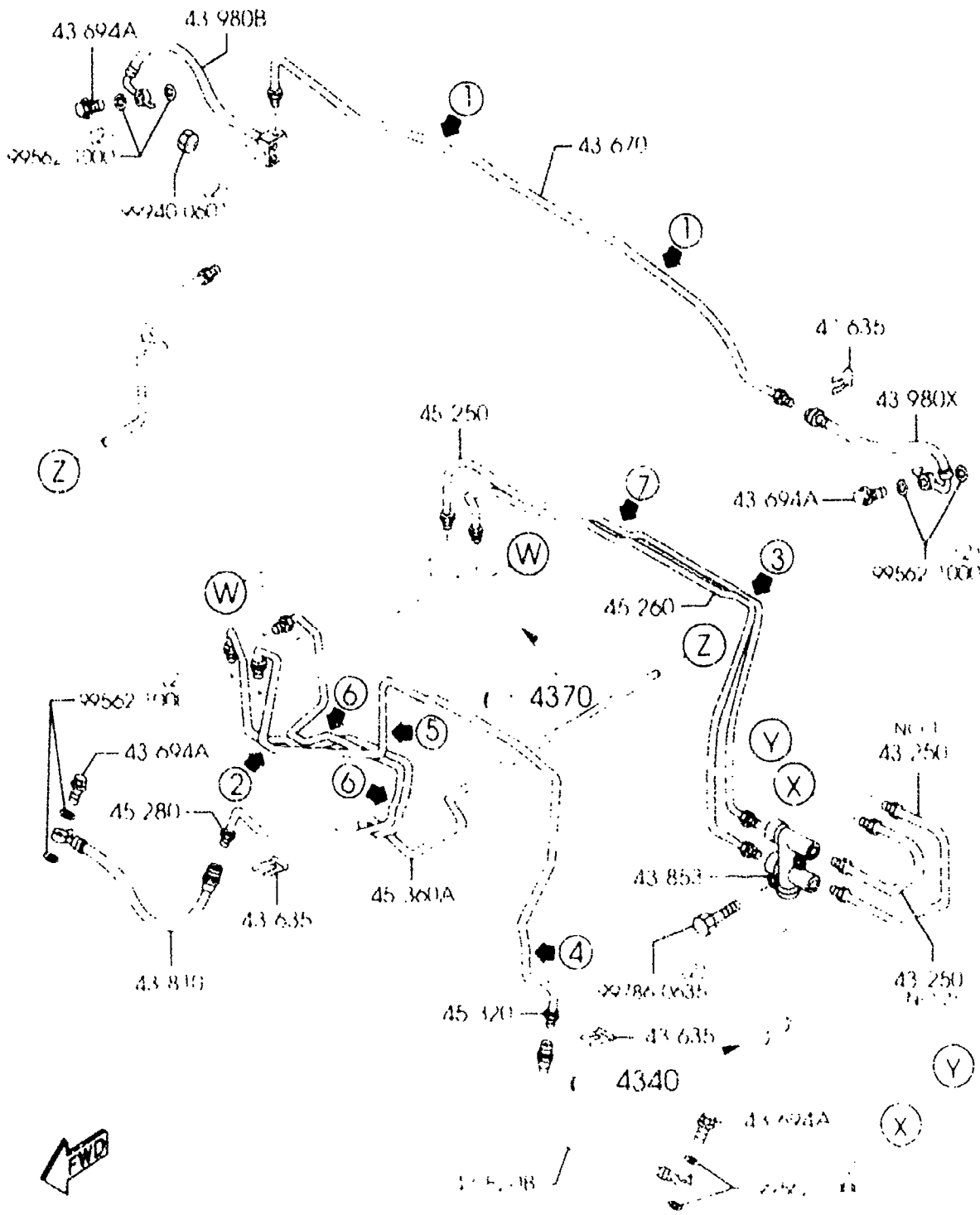
AUNA0- 11W05190

CAT AUNA08-04

2001-12

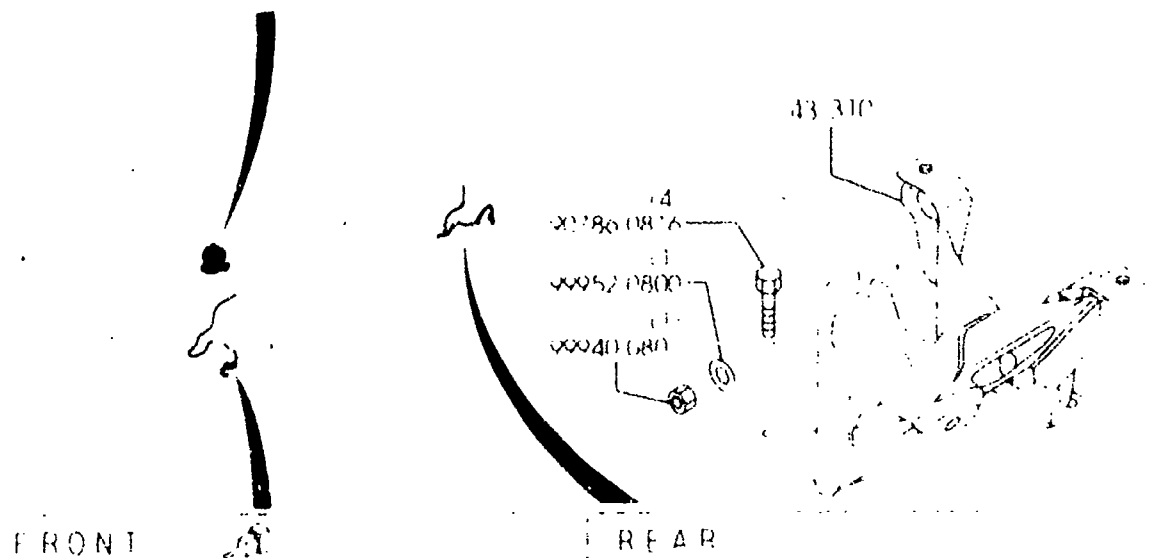
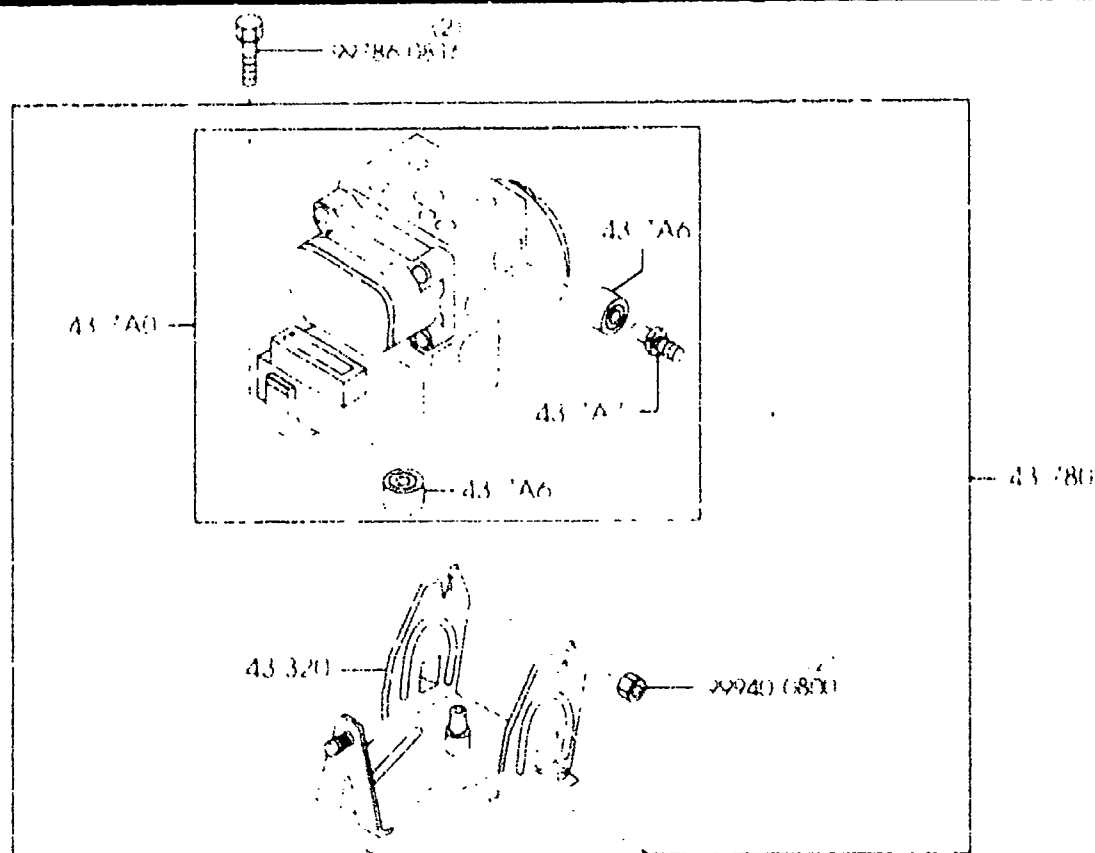
4360AA BRAKE PIPINGS
(W/ANTILOCK BRAKE)

4360AA-2 * BRAKE PIPINGS
(W/ANTILOCK BRAKE)



| PART NO. | QTY | MODIF./RESTRICTION | MODIF./RESTRICTION | MODIF./RESTRICTION | FROM TO |
|-------------------------|-----|---------------------|---------------------------|--------------------|---------|
| 45-280 NC78-45-280A | 1 | PIPE(R),BRAKE-FRONT | CONDUIT (D), FREIN A VANT | | |
| 45-320 NC78-45-320 | 1 | PIPE(L),BRAKE-FRONT | CONDUIT (G), FREIN A VANT | | |
| 45-360A NC78-45-360A | 1 | PIPE,BRAKE-REAR | CONDUIT, FREIN ARRIERE | | |
| 45-910E NA20-45-910A | 1 | HOLDER,PIPE | PORTE-TUYAU | | |
| 45-916 BC10-45-916 | 1 | HOLDER,PIPE | SUPPORT,PIPE | | |
| 45-916A HG31-45-915 | 1 | HOLDER,PIPE | PORTE,TUYAU | | |
| 45-916B HG31-45-916 | 2 | HOLDER,PIPE | PORTE,TUYAU | | |
| 45-920 NA20-45-920B | 1 | BRACKET | SUPPORT | | |

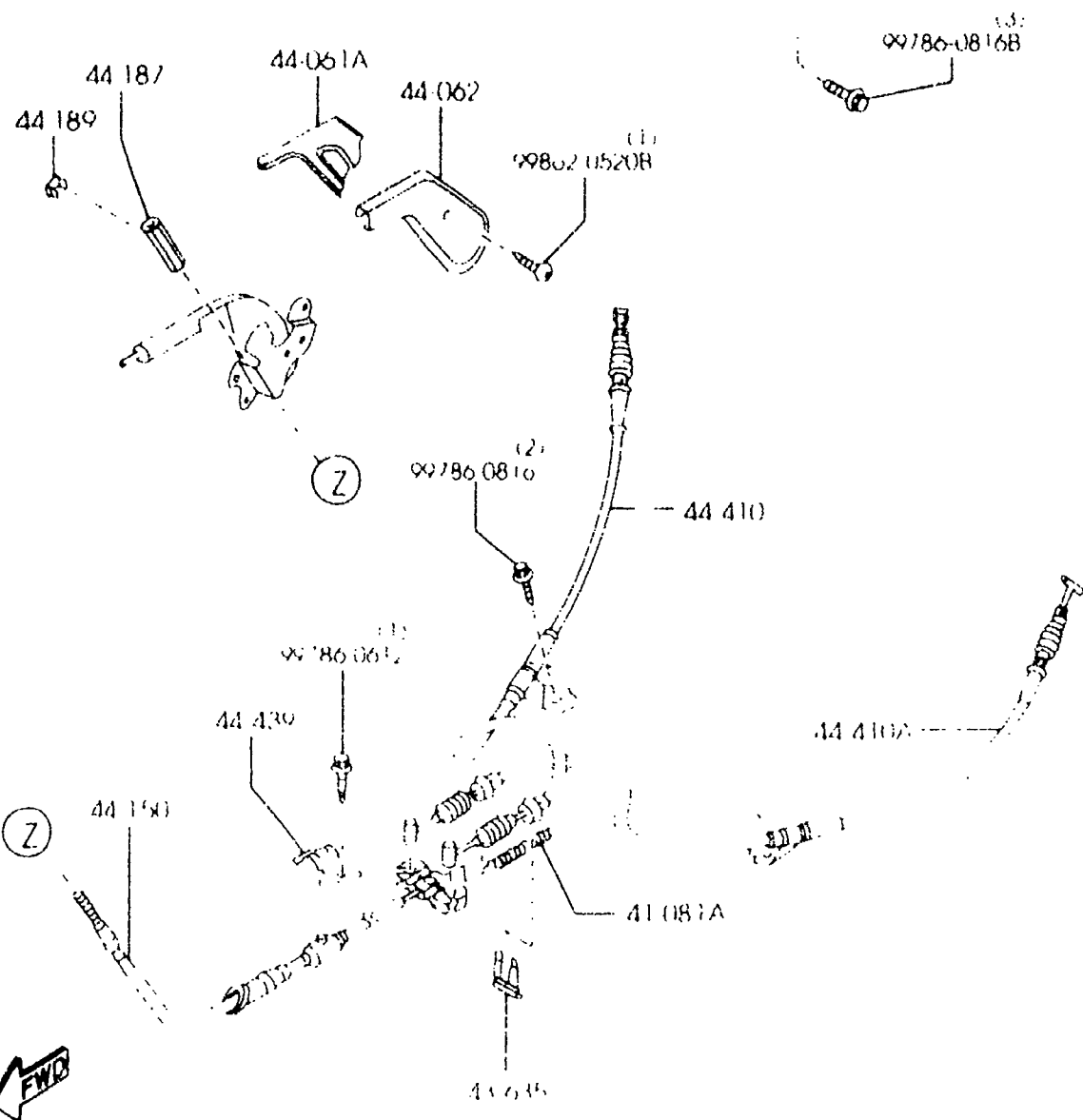
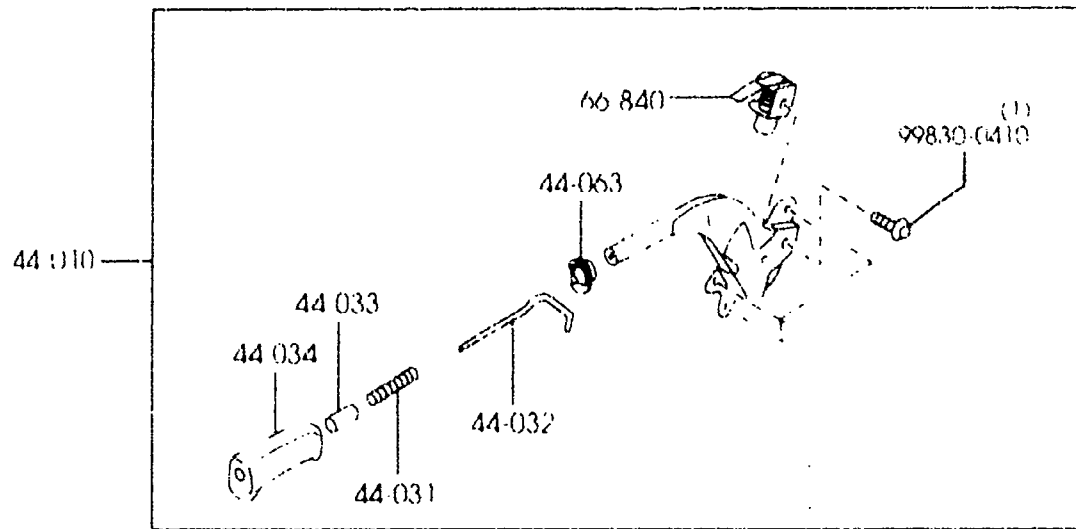
4370A ANTILOCK BRAKE SYSTEM



| PART NO | QTY | MODFI./RESTRICTION | MODFI./RESTRICTION | MODFI./RESTRICTION | FROM-TO |
|-------------------------|-----|-------------------------|------------------------------|--------------------|---------|
| 43-310 NC78-43-310 | 1 | BRACKET NO 1,A.B.S. | SUPPORT NO.1,A.B.S. | | |
| 43-320 NC78-43-320 | 1 | BRACKET NO 2,A.B.S. | SUPPORT NO.2,A.B.S. | | |
| 43-7A0 N068-43-7A0 | 1 | UNIT, HYDRAULIC-ABS | UNITE HYDRAULIQUE, A.B.C. | | |
| 43-7A6 NB86-43-7A6 | 3 | RUBBER, MOUNT-HYD. UNIT | CAOUTCHOUC, MONTAGE-UNIT HYD | | |
| 43-7A7 NB86-43-7A7 | 2 | STUD, HEX-HYD. UNIT | GOUJON FILTE, HEX-U. HYDRA | | |
| 43-701 NC14-43-70X | 1 | SENSOR(R), FRT-A.B.S. | SENSOR(D), AVANT-A.B.S. | | |
| 43-7012 NC14-43-73XA | 1 | SENSOR(L), FRT-A.B.S. | SENSOR(G), AVANT-A.B.S. | | |
| 43-711 N068-43-71YB | 1 | SENSOR(R), RR-A.B.S. | SENSOR(D), D.ARR. A.B.S. | | |
| 43-7112 N068-43-72YB | 1 | SENSOR(L), RR-A.B.S. | SENSOR(G), D.AR.-A.B.C. | | |
| 43-780 NC78-43-780 | 1 | ANTILOCK BRAKE | FREIN ANTIVERPOU. | | |
| 43-918 NA23-43-705 | 1 | CLIP, SENSOR HARNESS | ETRIER, HARNAIS CAPTEUR | | |

4400A PARKING BRAKE SYSTEM

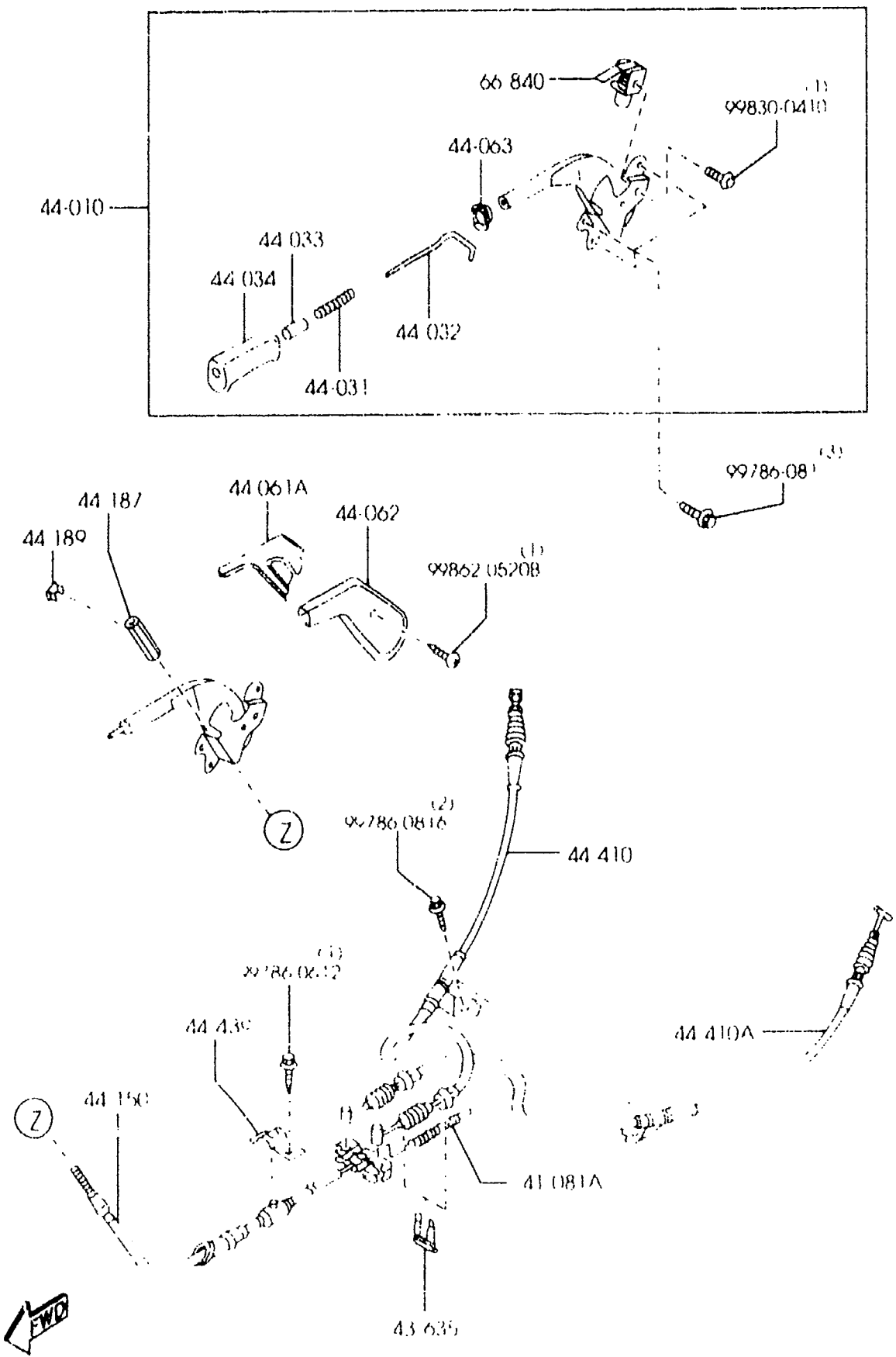
4400A -1 PARKING BRAKE SYSTEM



| PART NO | QTY | MODEL/RESTRICTION | MODEL/RESTRICTION | MODEL/RESTRICTION | FROM-TO |
|--------------|--------------------------------------|-----------------------|---------------------------|-------------------|---------|
| 41-081A | | SPRING, RETURN | RESSORT DE RAPPEL | | |
| 0750-41-308 | 1 | | | | |
| 43-635 | | CLIP, FLEXIBLE HOSE | ATTACHE, CONDUIT FLEXIBLE | | |
| W023-43-635A | 2 | | | | |
| 44-010 | | LEVER, PARKING BRAKE | LEVIER DE FREIN A MAIN | | |
| NA01-44-010 | 1 (PVC KNOB) | | | | |
| NC77-44-010 | 1 (LEATHER KNOB-'B TYPE') | | | | |
| N070-44-010B | 1 (LEATHER KNOB-'A TYPE') | | | | |
| NC76-44-010 | 1 (WOOD KNOB) | | | | 1108- |
| 21 | INT- | NB4 TAN | NB4 TAN | | |
| 44-031 | | SPRING, PARKING REVER | RESSURT | | |
| G030-44-031 | 1 | | | | |
| 44-032 | | ROD, RELEASE | TIGE, DECLANAGEMENT | | |
| NA01-44-032 | 1 | | | | |
| 44-033 | | BUTTON, RELEASE | BOUTON, DECLENCHEUR | | |
| FB01-44-033 | 1 (PVC KNOB) | | | | |
| N070-44-033 | 1 (LEATHER KNOB) | | | | |
| NC35-44-033 | 1 (WOOD KNOB) | | | | 1108- |
| 44-034 | | CAP, PARK BRAKE LEVER | BOUCHON | | |
| FB01-44-034 | 1 (PVC KNOB) | | | | |
| NC77-44-034 | 1 (LEATHER KNOB-'B TYPE') | | | | |
| N070-44-034 | 1 (LEATHER KNOB-'A TYPE') | | | | |
| N001-44-034B | 1 (WOOD KNOB) | | | | 1108- |
| 44-061A | | COVER | CACHE | | |
| FB01-44-061C | 1 (LEATHER KNOB-'A TYPE') (PVC KNOB) | | | | |
| NC76-44-061 | 1 (WOOD KNOB) | | | | 1108- |
| 21 | INT- | NB4 TAN | NB4 TAN | | |

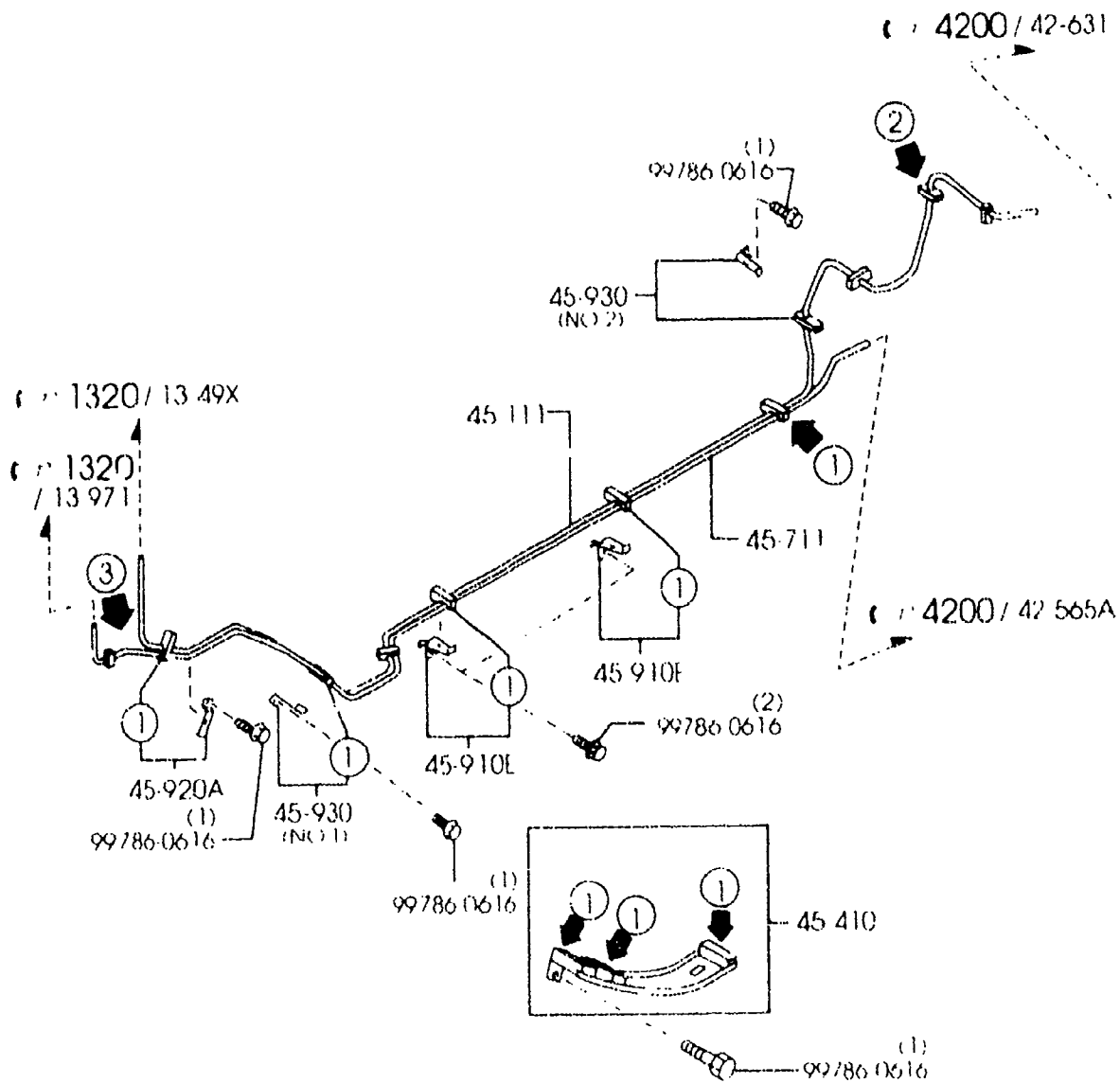
1108 NB35**-208709

4400A PARKING BRAKE SYSTEM



| PART NO. | QTY | MODEL/RESTRICTION | MODEL/RESTRICTION | MODEL/RESTRICTION | FROM-TO |
|--------------|------|--------------------------|----------------------------|-------------------|---------|
| 44-062 | | COVER | CACHE | | |
| F801-44-062B | 1 | (LEATHER KNOB-'A TYP E') | | | |
| | | (PVC KNOB) | | | |
| NC76-44-062 | 1 | (WOOD KNOB) | | | 1108- |
| 21 | INT- | NB4 TAN | NB4 TAN | | |
| 44-063 | | SPACER | RONDELLE | | |
| FC01-44-063A | 1 | (LEATHER KNOB) | | | |
| | | (PVC KNOB) | | | |
| NC76-44-063 | 1 | (WOOD KNOB) | | | 1108- |
| 21 | INT- | NB4 TAN | NB4 TAN | | |
| 44-150 | | CABLE,PARKING-FRT | CABLE, AV | | |
| NA01-44-150D | 1 | | | | |
| 44-187 | | SCREW,ADJUST | VIS | | |
| 0866-44-187A | 1 | | | | |
| 44-189 | | CLIP | ATTACHE | | |
| 0866-44-189 | 1 | | | | |
| 44-410 | | CABLE(R),R.-PARK. | CABLE, ARRIERE | | |
| NC10-44-410A | 1 | | | | |
| 44-410A | | CABLE(L),R.-PARK. | CABLE FREIN A MAIN(G) | | |
| NC10-44-420A | 1 | | | | |
| 44-439 | | CLIP,CABLE | ATTACHE, CABLE | | |
| 1011-44-439 | 1 | | | | |
| 66-840 | | SWITCH,PARKING LAMP | INTE., TEMOIN FREIN A MAIN | | |
| GJ21-66-450A | 1 | | | | |

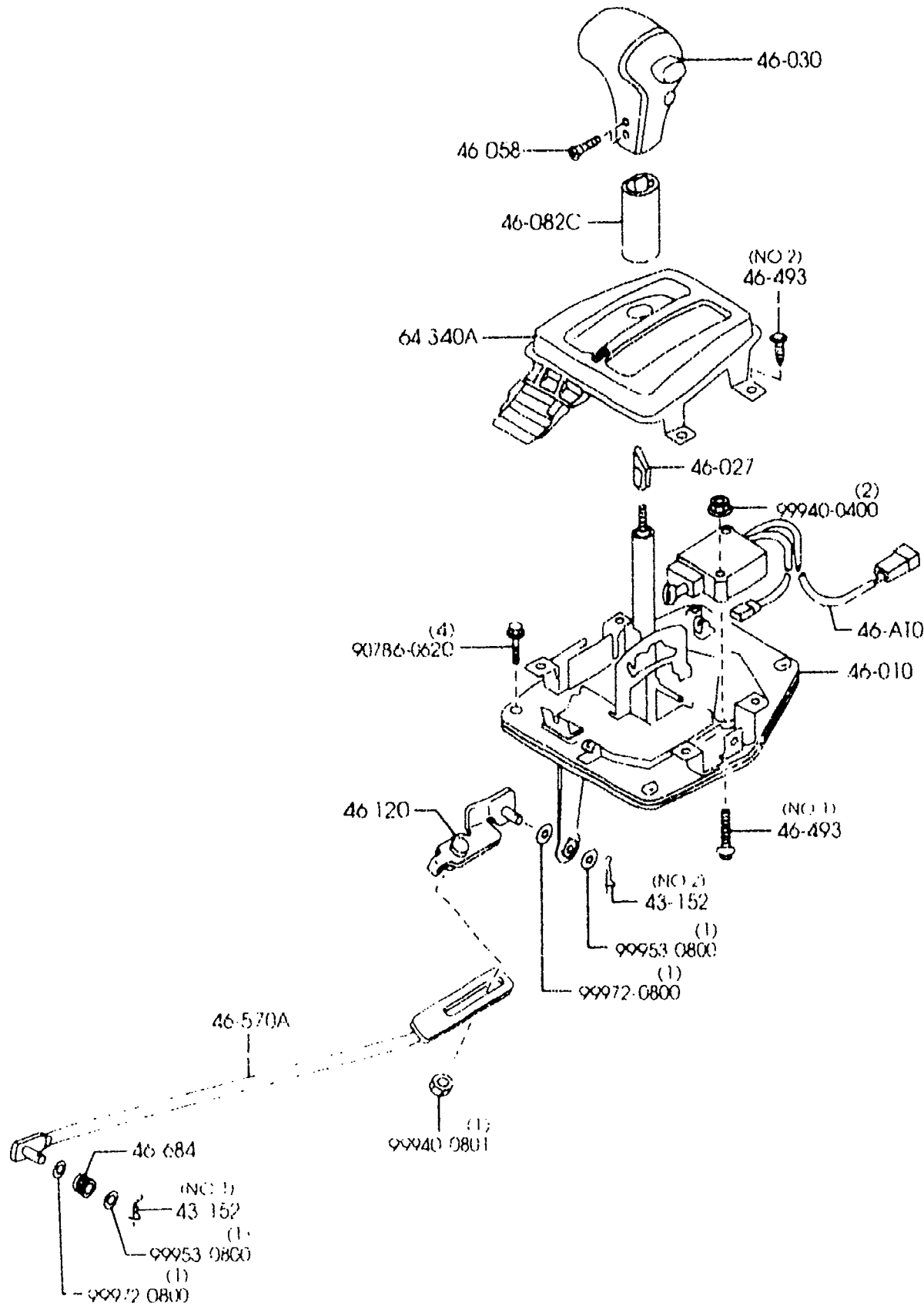
1108 NB35**208709



| ① | ② | ③ |
|---------|---------|--------|
| 45-912D | 45-913A | 45-914 |
| | | |

| PART NO. | QTY | MODEL/RESTRICTION | MODEL/RESTRICTION | MODEL/RESTRICTION | FROM-TO |
|-------------------------|------------------|------------------------|----------------------------|-------------------|---------|
| 45-111 NC10-45-111B | 1 | PIPE, FUEL-MAIN | CONDUIT, ESSENCE | | |
| 45-410 N067-45-410A | 1 | PROTECTOR, PIPE | PROTECTEUR, TUYAU | | |
| 45-711 MC49-45-711 | 1 | PIPE, EVAPORATION | CONDUIT, EVAPORATION | | |
| 45-910E H266-45-910A | 2 | HOLDER, PIPE | PORTE-TUYAU | | |
| 45-912D H266-45-912 | 8 | HOLDER, PIPE | ATTACHE 'A', TUY. - FREI N | | |
| 45-913A NA01-45-913B | 1 | CLIP, PIPE | ATTACHE | | |
| 45-914 FB01-45-914 | 1 | HOLDER, PIPE NIFUKO | SUPPORT, PIPE NIFUKO | | |
| 45-920A H266-45-920A | 1 | HOLDER 'B', PIPE | ATTACHE 'B', TUY | | |
| 45-930 H266-45-930A | 1 (ILLUST. NO.1) | HOLDER 'C', PIPE | ATTACHE 'C', TUY | | |
| NC10-45-930 | 1 (ILLUST. NO.2) | | | | |

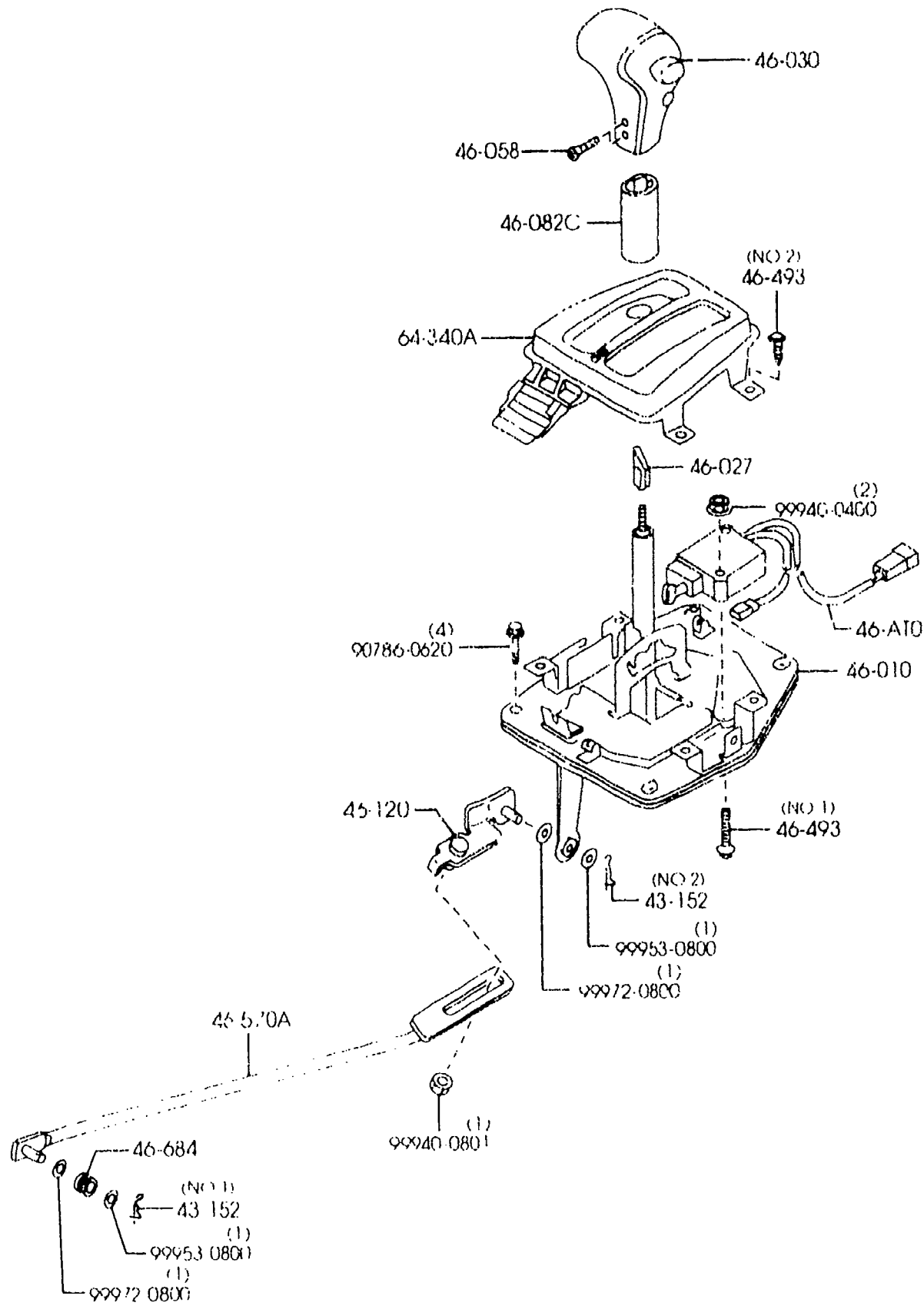
FWJ



| PART NO. | QTY | MODEL/RESTRICTION | MODEL/RESTRICTION | MODEL/RESTRICTION | FROM-TO |
|--------------|-----|-------------------------|-----------------------------|-------------------|---------|
| 43-152 | | PIN,SNAP | AXE D'ARRET | | |
| D001-43-152 | 1 | (ILLUST. NO.1) | | | |
| FB02-43-152A | 1 | (ILLUST. NO.2) | | | |
| 46-AT0 | | ACTUATOR,SHIFT LOCK | ACTUATOR,VERROU ARRETE | | |
| NC13-46-AT0C | 1 | | | | |
| 46-010 | | LEVER,SELECT | LEVIER SELECTEUR | | |
| NC13-46-100D | 1 | | | | |
| 46-027 | | CAM,CHANGE LEVER | CAME,LEVIER VITESSE | | |
| H338-46-027 | 1 | | | | |
| 46-030 | | KNOB,CHANGE LEVER | BOULE DE LEVIER DE VITESSE | | |
| NC13-46-030A | 1 | (URETHANE KNOB) | | | |
| NC38-46-030 | 1 | (LEATHER KNOB-'D TYPE') | | | |
| NC81-46-030B | 1 | (LEATHER KNOB-'B TYPE') | | | |
| 46-058 | | SCREW,CHANGE LEVER KNOB | VIS,BOUTON LEVIER CHANGE. | | |
| FB02-46-058C | 2 | | | | |
| 46-082C | | COVER,SELECT LEVER | COUVERCLE,LEVIER SELECTEUR. | | |
| NC13-46-083 | 1 | | | | |
| 46-120 | | BRACKET,INDICATOR | SUPPORT,INDICATEUR | | |
| NC13-46-120A | 1 | | | | |
| 46-493 | | SCREW | VIS | | |
| 0517-46-116 | 2 | (ILLUST. NO.1) | | | |
| 0517-46-117 | 4 | (ILLUST. NO.2) | | | |
| 46-570A | | ROD,SELECTOR-REAR | TIGE DE SELECTION ARRIERE | | |
| NC13-46-570B | 1 | | | | |
| 46-684 | | BUSH | BUSELURE | | |
| 1015-46-684A | 1 | | | | |
| 64-340A | | INDICATOR | INDICATEUR | | |
| NC77-64-350A | 1 | | | | |

0822 NB35M-201988

-0822



| PART NO. | QTY | MODEL/RESTRICTION | MODEL/RESTRICTION | MODEL/RESTRICTION | FROM-TO |
|--|-----|-------------------|-------------------|-------------------|---------|
| CONT'D A (NC77-64-350B) NC77-64-350B | 1 | | | | 0822- |

0822 NB35**-201988



CHASSIS

BODY

CHASSIS

BODY

CHASSIS

BODY

CHASSIS

BODY

CHASSIS

BODY

CHASSIS

BODY

CHASSIS

BODY

CHASSIS

BODY

CHASSIS

BODY

CHASSIS

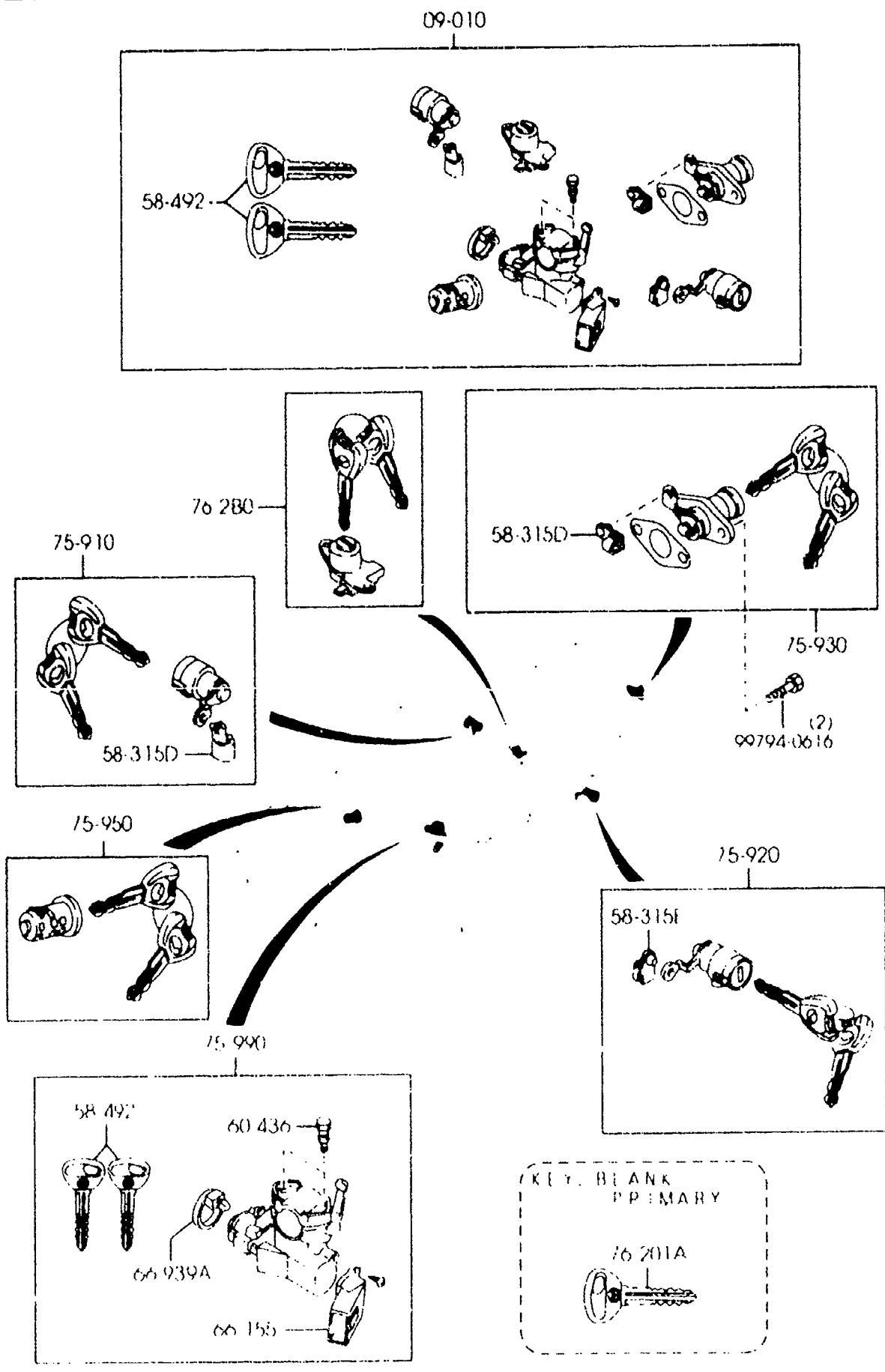
BODY

CHASSIS

BODY

CHASSIS

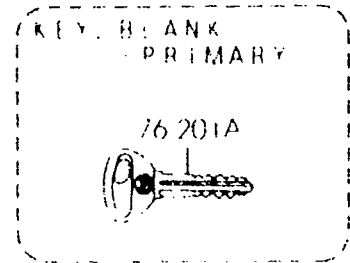
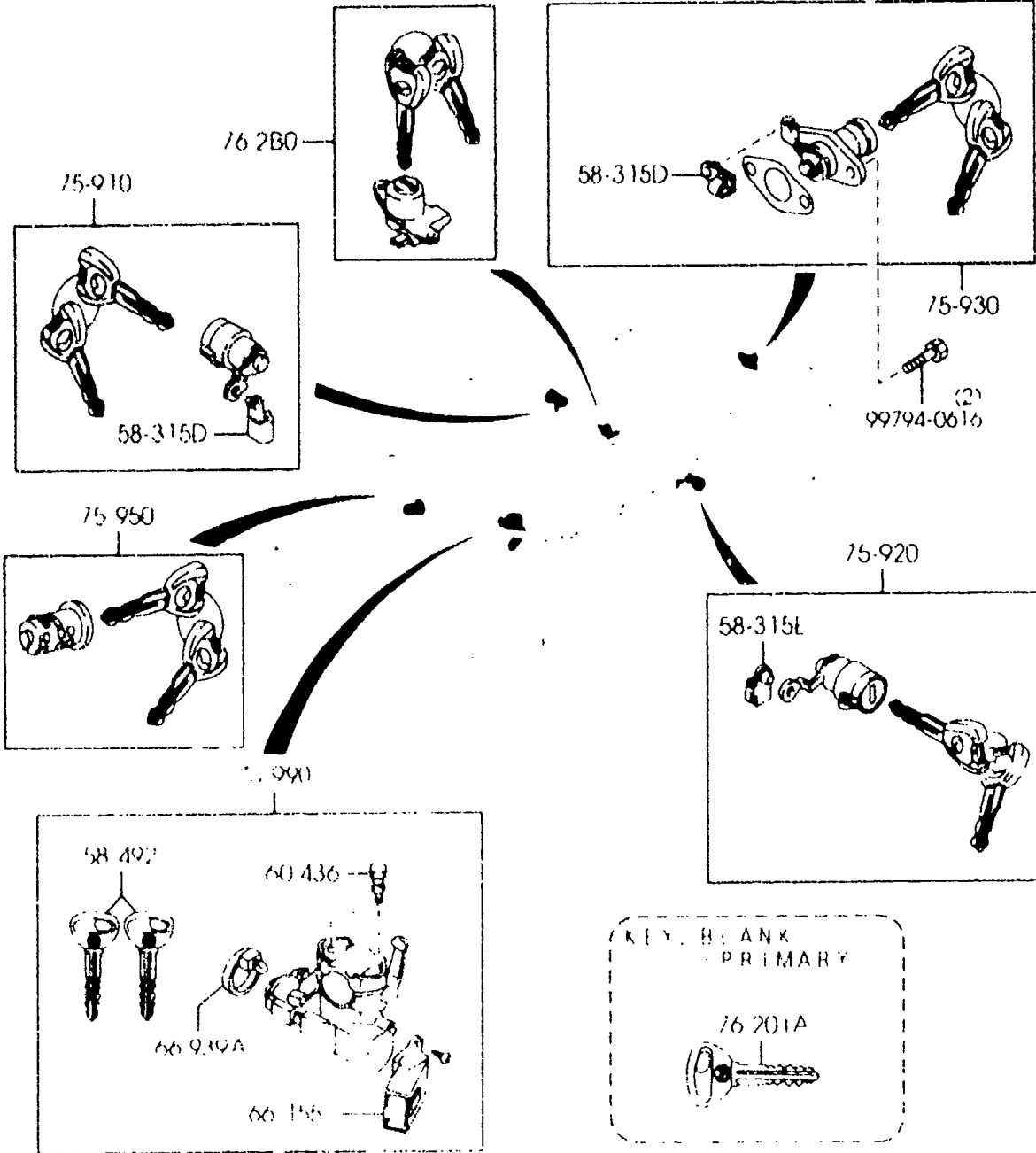
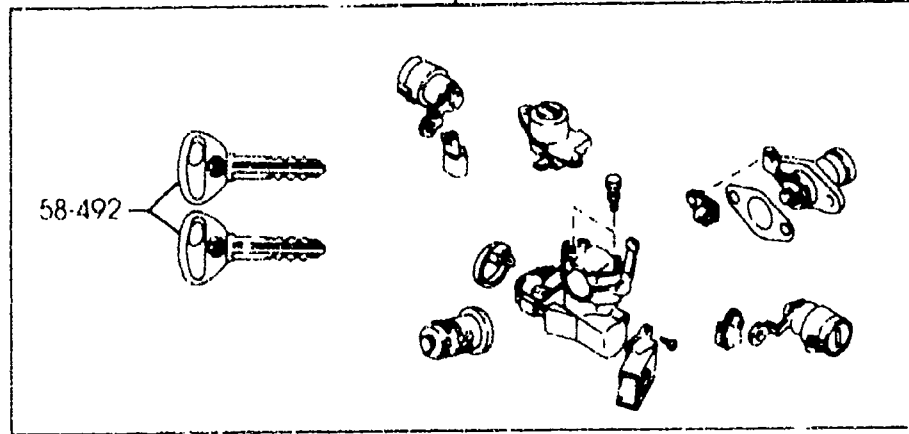
BODY



| PAR. NO. | QTY | MODEL/RESTRICTION | MODEL/RESTRICTION | MODEL/RESTRICTION | FROM-TO |
|----------------------------------|-----|-------------------------------------|---------------------------------------|-------------------|---------|
| 09-010 | 1 | KEY SET | JEU DE BARILLET | | |
| NC73-09-010A | 1 | (W/O POWER DOOR LOCK) (MT) | (B.V.MANU) | | |
| NC72-09-010C A (NC72-09-010D) | 1 | (W/POWER DOOR LOCK) (MT) | (B.V.MANU) | | -0807 |
| NC77-09-010C A (NC77-09-010D) | 1 | (AT) | (B.V.AUTOM) | | -0807 |
| NC72-09-010D | 1 | (W/POWER DOOR LOCK) (MT) | (B.V.MANU) | | 0807- |
| NC77-09-010D | 1 | (AT) | (B.V.AUTOM) | | 0807- |
| 58-315D | 2 | CLIP (R) | CLIP | | |
| G030-58-315 | 2 | | | | |
| 58-315E | 1 | CLIP (L) | CLIP | | |
| G030-59-315 | 1 | | | | |
| 58-492 | 2 | KEY, PRIMARY KEY NO. IS REQUIRED | CLEF, PRIMAIRE KEY NO. IS REQUIRED | | |
| BJ1V-58-2GX | 2 | | | | |
| 60-436 | 2 | BOLT, SET | BOULON, JEU | | |
| H043-66-154 | 2 | | | | |
| 66-155 | 1 | SWITCH, IGNITION | CONTACT D'ALLUMAGE | | |
| N053-66-151 | 1 | | | | |
| 66-939A | 1 | COIL, ANTENNA-IMMOVI | BOBINE, ANTENNE-IMMOB | | |
| GG2A-66-938 | 1 | (MT) | ILIS. (B.V.MANU) | | |
| GG2C-66-938 | 1 | (AT) | (B.V.AUTOM) | | |
| 75-910 | 1 | KEY SUB SET(R), DOOR | JEU DE BARILLET (D), | | |
| NCY0-76-210B | 1 | (W/O POWER DOOR LOCK) (MT) | PORTE (B.V.MANU) | | |
| NCY3-76-210A | 1 | (W/POWER DOOR LOCK) (MT) | (B.V.MANU) | | -0807 |
| A (NCY3-76-210B) | 1 | (AT) | (B.V.AUTOM) | | -0807 |
| NCY3-76-210B | 1 | (W/POWER DOOR LOCK) (MT) | (B.V.MANU) | | 0807- |
| NCY3-76-210B | 1 | (AT) | (B.V.AUTOM) | | 0807- |

0807 NB35**-201234

09-010

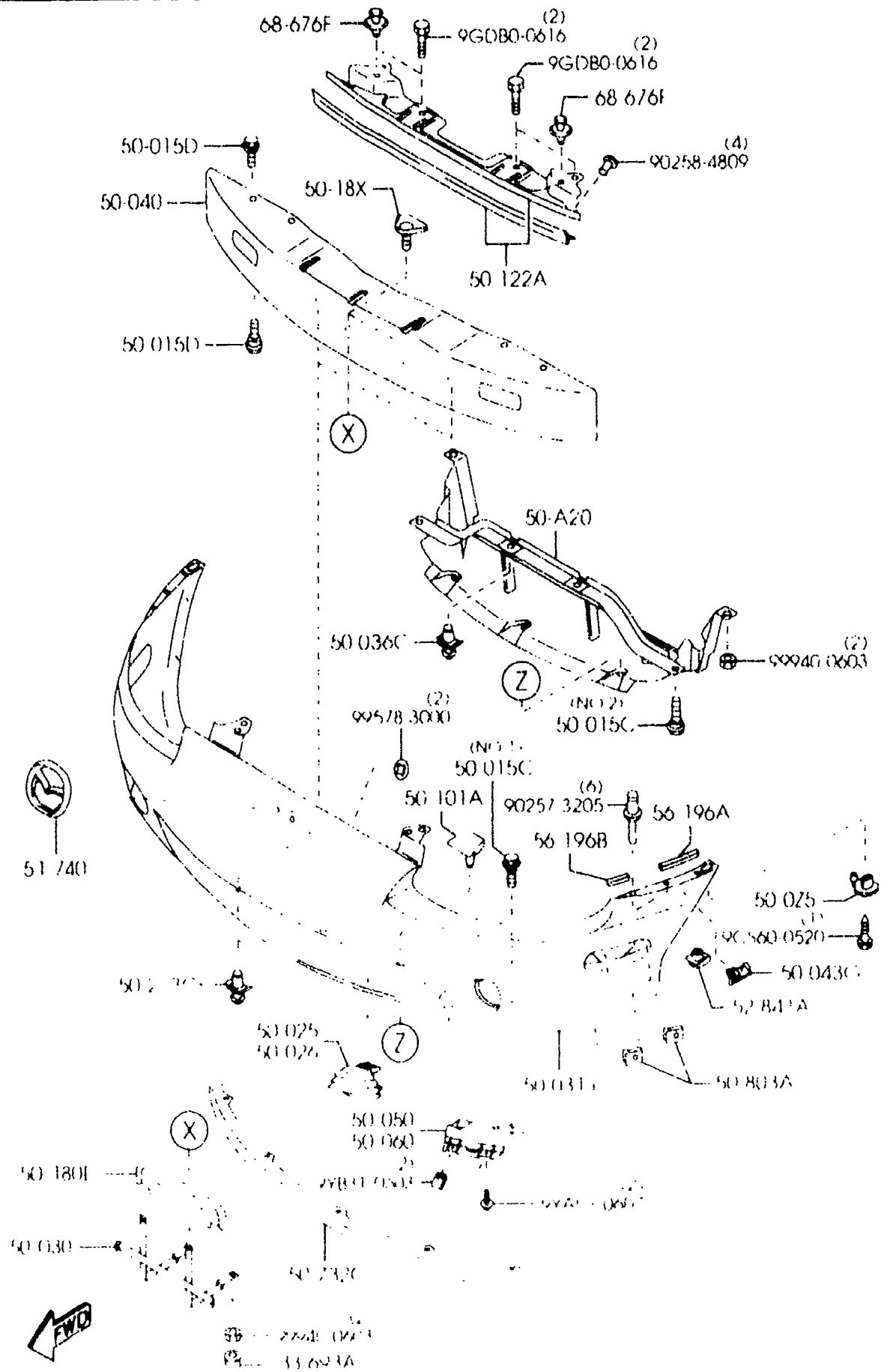


| PART NO. | QTY | MODEL/RESTRICTION | MODEL/RESTRICTION | MODEL/RESTRICTION | FROM-TO |
|----------------------------------|-----|---|--|-------------------|---------|
| 75-920 NCY0-76-220B | 1 | KEY SUB SET(L), DOOR (W/O POWER DOOR LOCK) (MT) | JEU DE BARILLET (G), PORTE (B.V. MANU) | | |
| NCY3-76-220A A (NCY3-76-220B) | 1 | (W/POWER DOOR LOCK) (MT) | (B.V. MANU) | | -0807 |
| NCY3-76-220A A (NCY3-76-220B) | 1 | (AT) | (B.V. AUTOM) | | -0807 |
| NCY3-76-220B | 1 | (W/POWER DOOR LOCK) (MT) | (B.V. MANU) | | 0807- |
| NCY3-76-220B | 1 | (AT) | (B.V. AUTOM) | | 0807- |
| 75-930 NCY0-76-230A | 1 | KEY SUB SET, TRUNK | JEU DE BARILLET, COF FRE | | |
| 75-950 BG1N-76-250B | 1 | KEY SUB SET, GLOVE | JEU DE BARILLET, BOI TE A GANTS | | |
| 75-990 NCY3-76-29X | 1 | KEY SUB SET, ST. LOCK (MT) | SOUS-JEU, (B.V. MANU) | | |
| NCY6-76-29X | 1 | (AT) | (B.V. AUTOM) | | |
| 76-280 NCY0-76-280 | 1 | KEY SUB SET, CONSOLE | JEU SOUS CLE, CONSOLE | | |
| 76-201A BJYV-76-2GX | 1 | KEY, BLANK-PRIMARY | CLE, PLEIN-PRIMAIRE | | |

0807 NB35**201234

5000A FRONT BUMPER

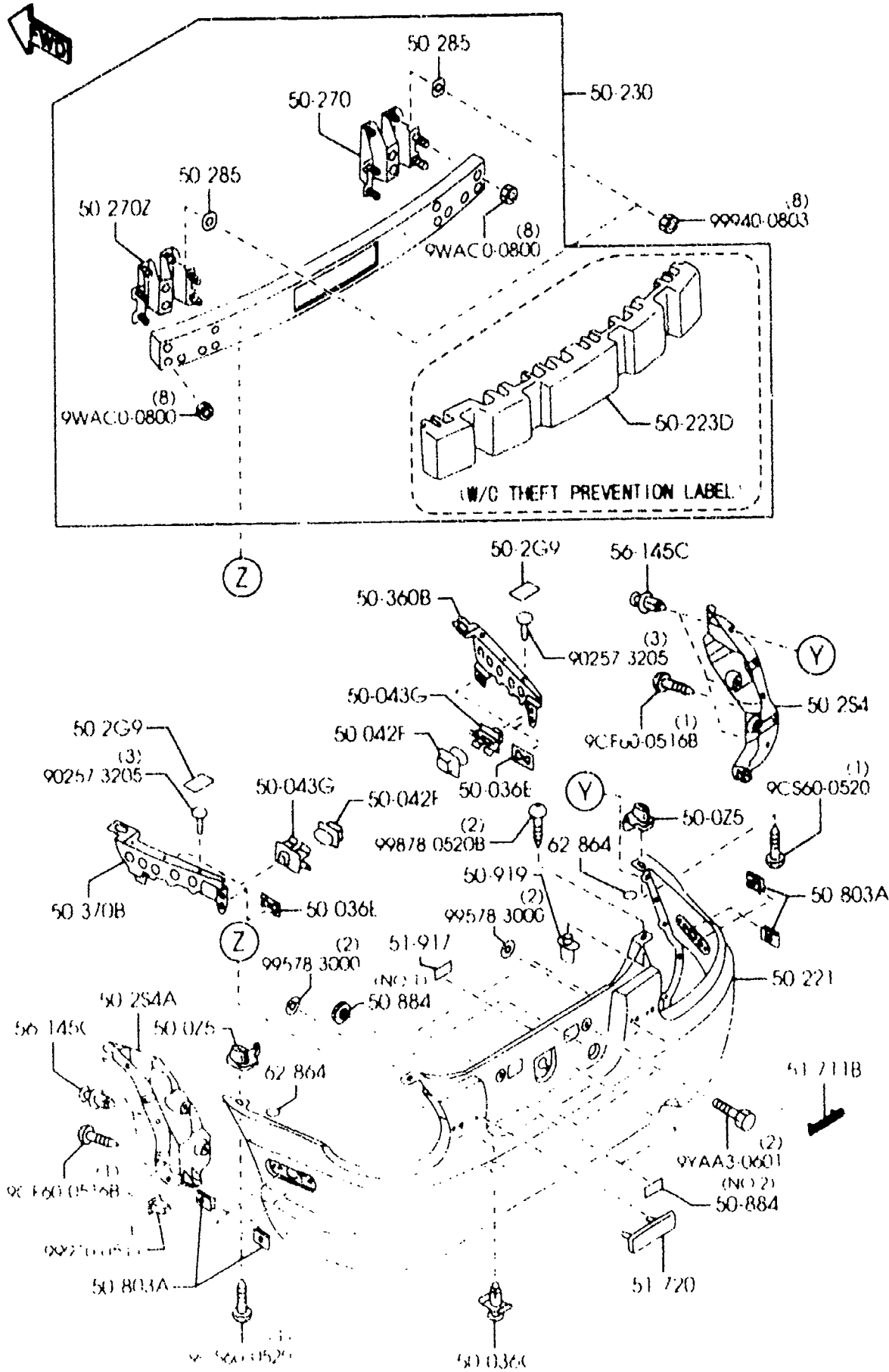
5000A -2 * FRONT BUMPER



| PART NO | QTY | MODEL/RESTRICTION | MODEL/RESTRICTION | MODEL/RESTRICTION | FROM-TO |
|--------------|------|---------------------------|-----------------------------|-------------------|---------|
| 50-060 | | GUARD(L), BUMPER | GARDE(G), PARE-CHOCS | | |
| N066-50-131 | 1 | | | | |
| 50-101A | | COVER, GRILLE | COUVERCLE, GRILLE | | |
| NA01-50-101A | 3 | | | | |
| 50-122A | | RETAINER, FRT. BUMPER | ARRETOIR, PAPE-CHOCS AV | | |
| N066-50-0K0A | 1 | | | | |
| 50-18X | | BRACKET, LICENCE PLATE | SUPPORT, PLAQUE IMMATRICUL. | | |
| NA01-50-18X | 2 | | | | |
| 50-180E | | PROTECTOR, NO. PLATE | PROTECTEUR, | | |
| FB01-50-144 | 1 | | | | |
| 50-233C | | FASTENER, REAR BUMPER | FERMETURE, PARE-CHOCS AR | | |
| BF02-50-233 | 2 | | | | |
| 50-732C | | SKIRT, FRONT AIR DAM | JUPE, BARRAGE AIR AVANT | | |
| NC10-51-9K0A | 1 | | | | |
| 50-803A | | NUT, SIDE PROTECTOR | ECROU, PROTECTEUR LATERAL | | |
| G158-50-803 | 4 | | | | |
| 51-740 | | MASCOT, FRONT | MASCOTTE AV | | |
| N066-51-731 | 1 | | | | |
| 52-841A | | NUT, CLIP | ECROU | | |
| B455-56-135 | 6 | | | | |
| 56-196A | | RUBBER, SEAL-BUMPER | CAOUTCHOUC D'ETANCH. | | |
| N066-50-M15 | 2 | | | | |
| 56-196B | | RUBBER, SEAL-BUMPER | CAOUTCHOUC D'ETANCH. | | |
| N066-50-M25 | 2 | | | | |
| 68-676F | | FASTENER, SCREW | AGRAFE, VIS | | |
| 1395-68-676 | 2 | | | | |
| 00 | INT- | NB3 NB4 NB5 NB8 NB9 BLACK | NB3 NB4 NB5 NB8 NB9 NOIR | | |

5010A REAR BUMPER

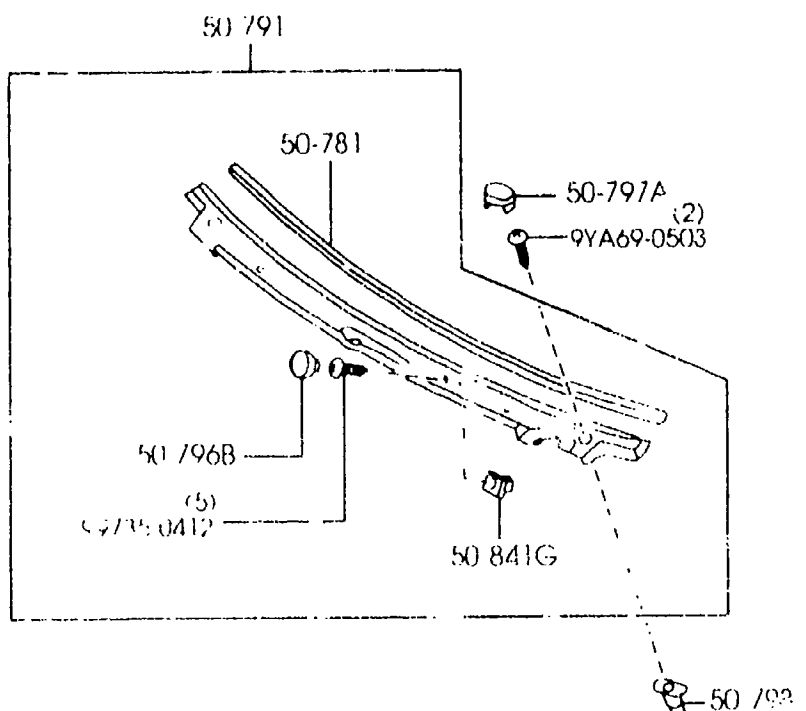
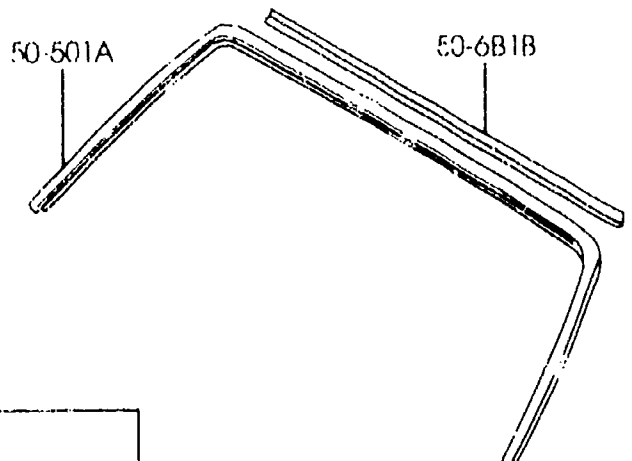
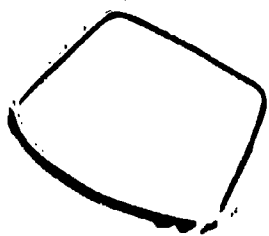
5010A -1 REAR BUMPER



| PART NO. | QTY | MODEL/RESTRICTION | MODEL/RESTRICTION | MODEL/RESTRICTION | FROM-TO |
|---|-----|------------------------------|-------------------------|-------------------|-----------|
| 50-025 | | GROMMET, SCREW | PROTECTEUR, VIS | | |
| BC1M-50-025 | 2 | | | | |
| 50-036C | | FASTENER | AGRAFFE | | |
| BF67-50-033 | 2 | | | | |
| 50-036E | | CLIP | ATTACHE | | |
| GJ21-50-049 | 4 | | | | |
| 50-042F | | SLIDE 'B', BUMPER | GLISSEUR 'B', PARE-CHOC | | |
| NC10-50-E11B | 2 | | CS | | |
| 50-043G | | SLIDE, FRONT BUMPER | COULISSE, PARE-CHOC F | | |
| NC10-50-E13A | 2 | | FRONT | | |
| 50-2G9 | | SEAL, RUBBER | JOINT DE CAOUTCHOUC | | |
| NC10-50-2G1C | 2 | | | | |
| 50-254 | | SHIELD(R), SPLASH-R. B | BOUCLIER(D), ECLABOUS | | |
| NC10-50-341D | 1 | | UMPER S.-AM | | |
| 50-254A | | SHIELD(L), SPLASH-R. B | BOUCLIER(G), ECLABOUS | | |
| NC10-50-351D | 1 | | UMPER S.-AM | | |
| 50-221 | | BUMPER, REAR | PARE-CHOC ARR. | | |
| NCY1-50-220F | | PAINT TO MATCH | PAINT TO MATCH | | -1406 |
| A (NCY1-50-220G) | 1 | | | | |
| NCY1-50-220G | 1 | PAINT TO MATCH | PAINT TO MATCH | | 1406- |
| 50-223D | | FOAM, BUMPER-REAR | MOUS, BOUTOIR-AR | | |
| NC13-50-311A | 1 | (W/O THEFT PREVENTION LABEL) | | | |
| 50-230 | | REINF, BUMPER-REAR | PARE-CHOC(S (D), AR | | |
| NC13-50-260B | | (W/O THEFT PREVENTION LABEL) | | | -1718 |
| AN(NC13-50-260C) | 1 | | | | |
| NC72-50-260A | | (W/THEFT PREVENTION LABEL) | | | -1718 |
| AN(NC72-50-260C) | 1 | | | | |
| NC13-50-260C | | (W/O THEFT PREVENTION LABEL) | | | 1718-1A01 |
| AN(NC13-50-260D) | 1 | | | | |
| NC72-50-260C | | (W/THEFT PREVENTION LABEL) | | | 1718-1A01 |
| AN(NC72-50-260D) | 1 | | | | |
| 1406 NB35**216714 1718 NB35**220210 1A01 NB35**223281 | | | | | |

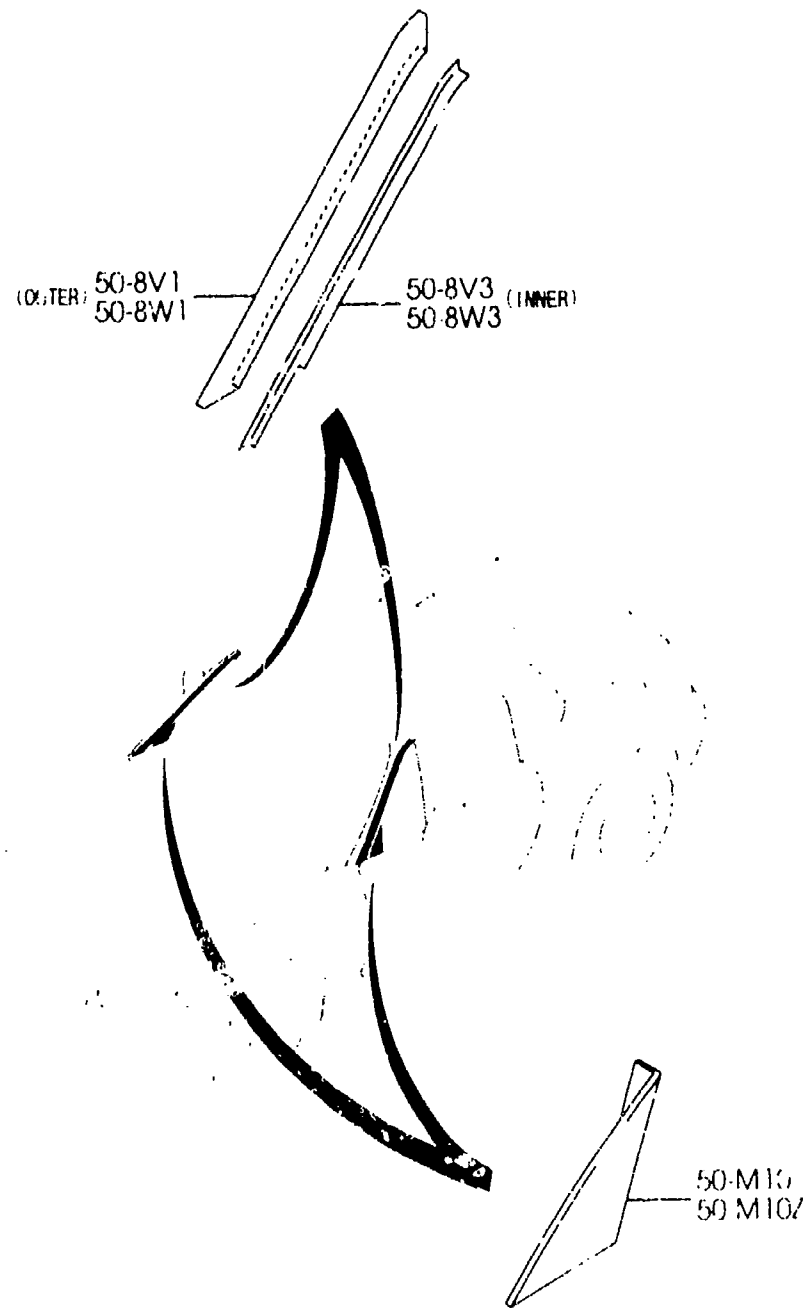
5030A WINDOW MOULDING & COWL GRILLES

5030A -1 * WINDOW MOULDING & COWL GRILLES



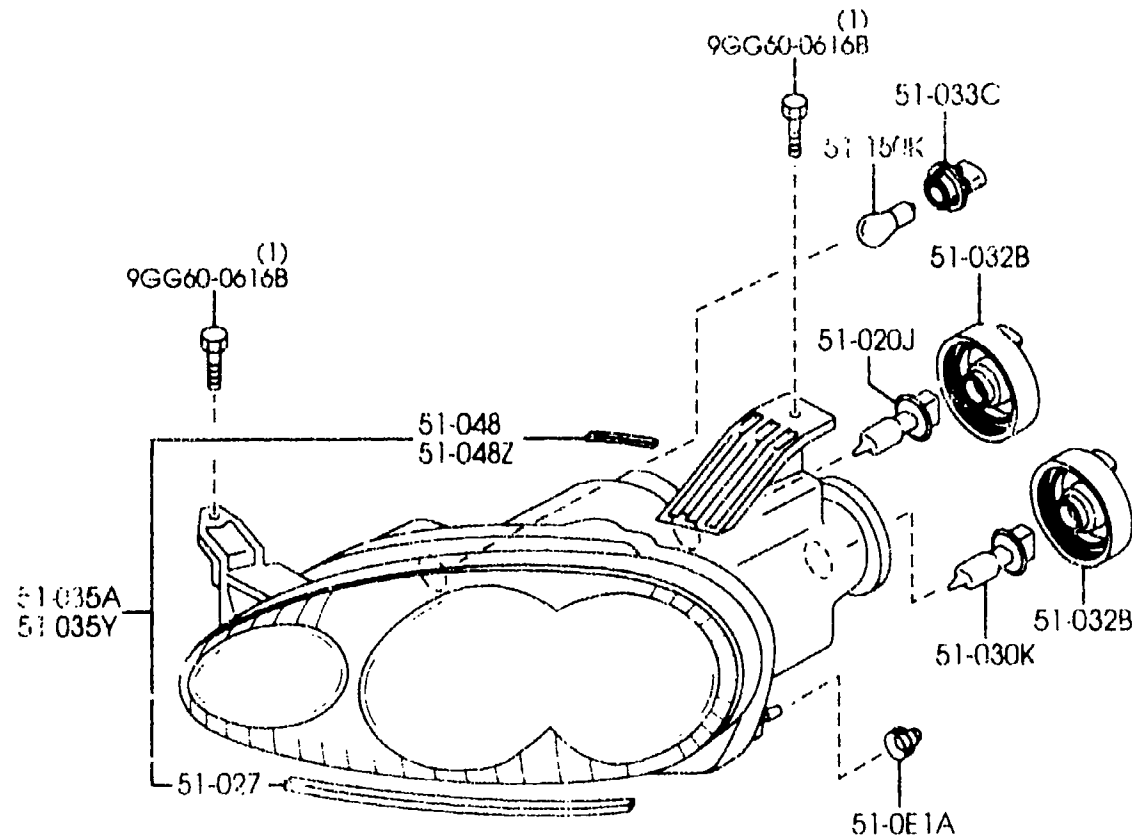
| PART NO. | QTY | MODEL/RESTRICTION | MODEL/RESTRICTION | MODEL/RESTRICTION | FROM-TO |
|-------------------------|-----|------------------------|---------------------------|-------------------|---------|
| 50-501A NA01-50-601A | 1 | MOULD,FRT WINDOW-UP | MOULURE SUP.,FENETRE AV | | |
| 50-681B DX50-50-681 | 1 | PROTR,MOULD-FRT WINDOW | PROTECTEUR,MOUL.-FENET.AV | | |
| 50-781 NA01-50-792A | 1 | PROTECTOR,COWL GRILL | PROTECTEUR, | | |
| 50-791 NA01-50-790E | 1 | GRILLE,COWL | PROTECTION, RADIATEUR | | |
| 50-796B B455-50-796A | 5 | CAP | BOUCHON | | |
| 50-797A NA01-50-797A | 2 | CAP | BOUCHON | | |
| 50-798 NA01-50-798 | 2 | SCREW,GROMMET | VIS,BAGUE | | |
| 50-841G NA01-51-789 | 5 | GROMMET,SCREW | ANNEAU | | |

2-J 5



| PART NO. | QTY | MODEL/RESTRICTION | MODEL/RESTRICTION | MODEL/RESTRICTION | FROM-TO |
|------------------------|-----|---|----------------------------|-------------------|---------|
| 50-M10 N066-68-DJ1 | 1 | GARNISH(R), FRONT DOOR (BLACK-TAPE) | GARNITURE(D), AV. PORTIERE | | |
| 50-M10Z N066-68-DJ6 | 1 | GARNISH(L), FRONT DOOR (BLACK-TAPE) | GARNITURE(G), AV. PORTIERE | | |
| 50-8V1 NC10-50-8V1 | 1 | STRIPE NO.1(R), BODY SIDE (BLACK-TAPE) | BANDE NO.1(D), COTE CARROS | | |
| 50-8V3 NC10-50-8V3 | 1 | STRIPE NO.3(R), BODY SIDE (BLACK-TAPE) | BANDE NO.3(D), COTE CARROS | | |
| 50-8W1 NC10-50-8W1 | 1 | STRIPE NO.1(L), BODY SIDE (BLACK-TAPE) | BANDE NO.1(G), COTE CARROS | | |
| 50-8W3 NC10-50-8W3 | 1 | STRIPE NO.3(L), BODY SIDE (BLACK-TAPE) | BANDE NO.3(G), COTE CARROS | | |

2-K 5



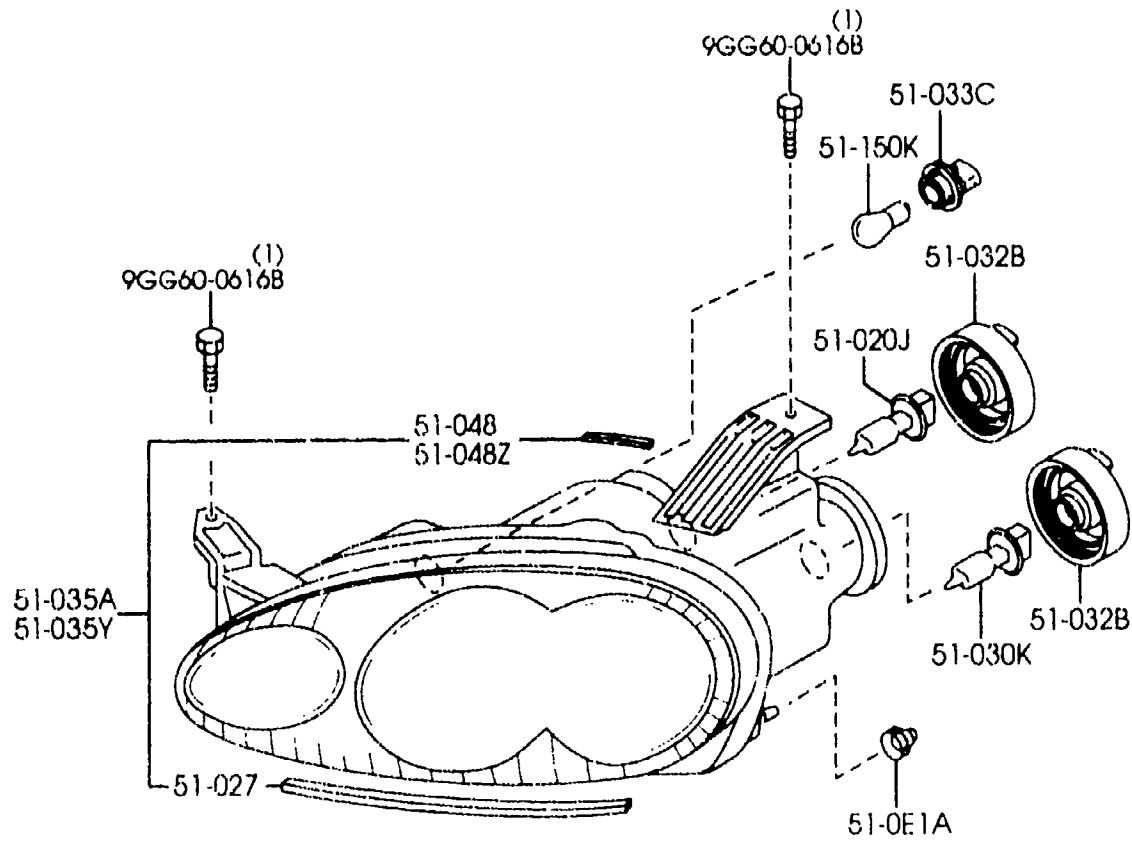
| PART NO. | QTY | MODEL/RESTRICTION | MODEL/RESTRICTION | MODEL/RESTRICTION | FROM-TO |
|---|-----|----------------------------|--------------------|-------------------|-----------|
| 51-0E1A NC13-51-025C | 2 | FASTENER, LAMP | FERMETURE, LAMPE | | |
| 51-020J 99703-7650 | 2 | BULB, HEAD LAMP 12V 65W | AMPOULE 12V 65W | | |
| 51-027 N066-51-0N7 | 2 | PROTECTOR | PROTECTEUR | | |
| 51-030K 99703-7550 | 2 | BULB 12V 55W | AMPOULE 12V 55W | | |
| 51-032B N066-51-0A1 | 4 | COVER | COUVERCLE | | |
| 51-033C NC13-51-044 | 2 | SOCKET | DOUILLE | | |
| 51-035A NC72-51-0K0A A (NC72-51-0K0D) | 1 | UNIT(R), HEAD LAMP | UNITE | | -0801 |
| 51-035Y NC72-51-0L0A A (NC72-51-0L0D) | 1 | UNIT(L), HEAD LAMP | UNITE | | 0801- |
| 51-048 N066-51-0M5A A (N066-51-0M5B) | 1 | PROTECTOR(R) | PROTECTEUR (D) | | -0801 |
| 51-048Z N066-51-0M5B AN(N066-51-0M5C) | 1 | PROTECTOR(L) | PROTECTEUR (G) | | 0801-1601 |
| 51-048Z N066-51-0M5A A (N066-51-0M5B) | 1 | PROTECTOR(L) | PROTECTEUR (G) | | 1601- |
| 51-048Z N066-51-0M5B AN(N066-51-0M5C) | 1 | PROTECTOR(L) | PROTECTEUR (G) | | -0801 |
| 51-048Z N066-51-0M5C | 1 | PROTECTOR(L) | PROTECTEUR (G) | | 0801-1601 |
| 51-048Z N066-51-0M5C | 1 | PROTECTOR(L) | PROTECTEUR (G) | | 1601- |

0801 NB35**-200666
1601 NB35**-210011



5100A HEAD LAMPS

5100A -2 * HEAD LAMPS

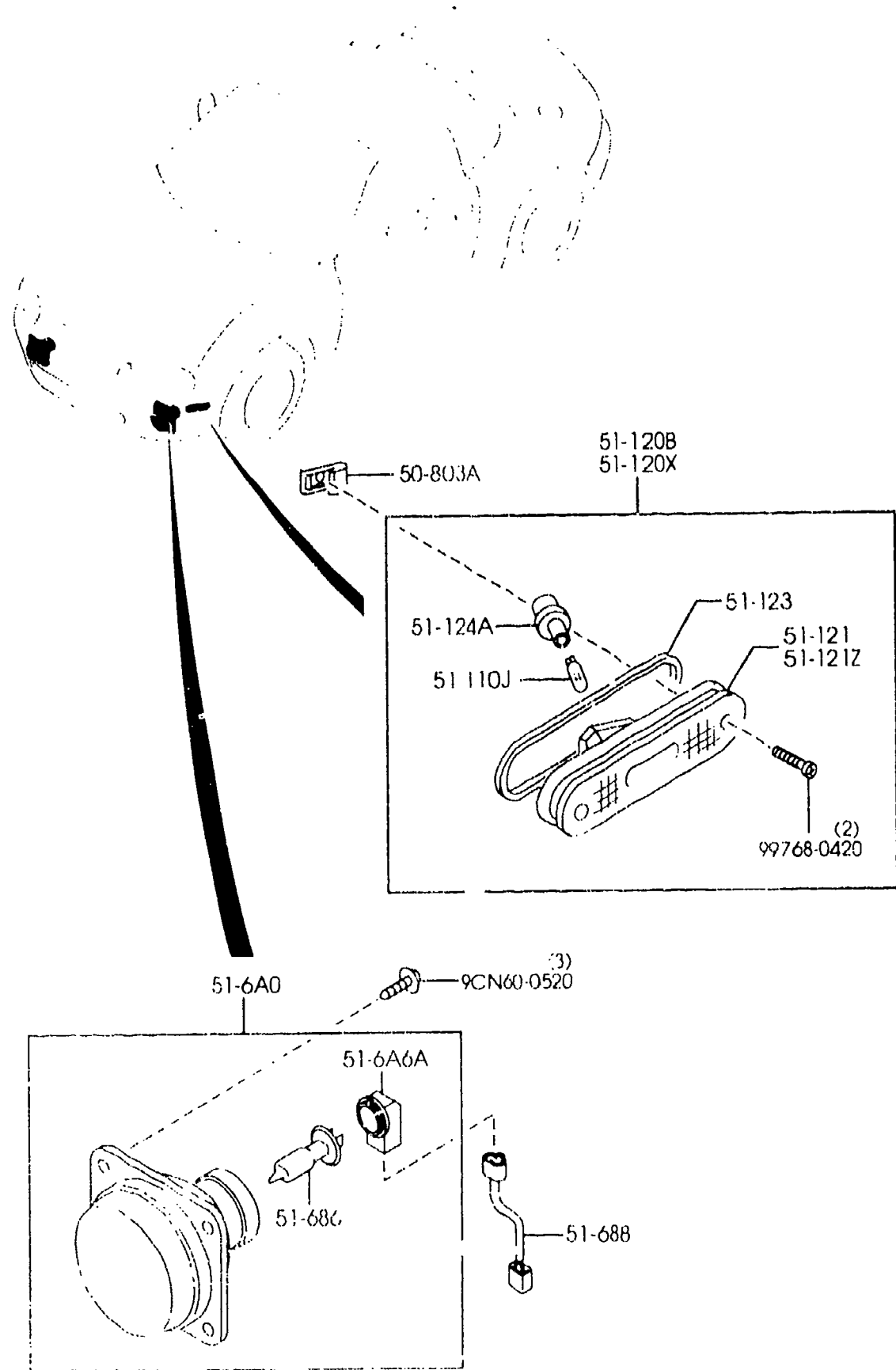


| PART NO. | QTY | MODEL/RESTRICTION | MODEL/RESTRICTION | MODEL/RESTRICTION | FROM TO |
|--|-----|--------------------|-----------------------|-------------------|---------|
| +-----+ 51-150K +-----+ 99701-4278Y | 2 | BULB A12V 27/8W | AMPOULE A12V 27/8W | | |



5105A FRONT COMBINATION LAMPS

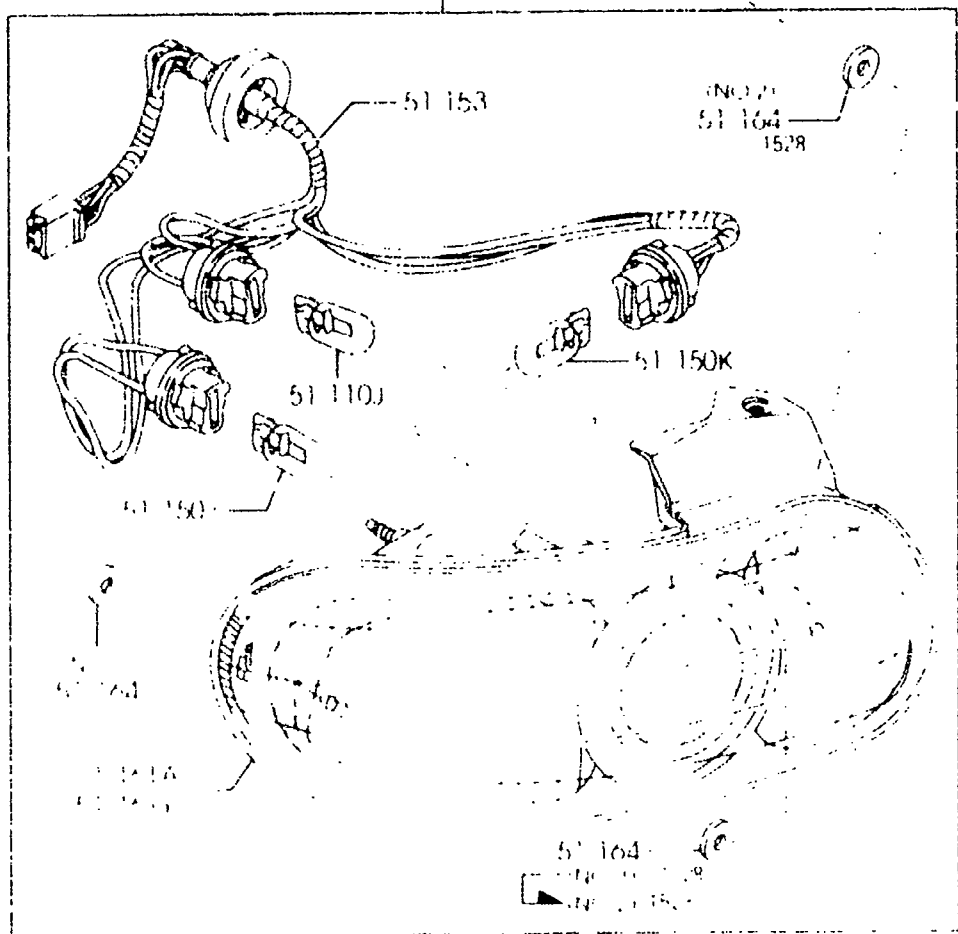
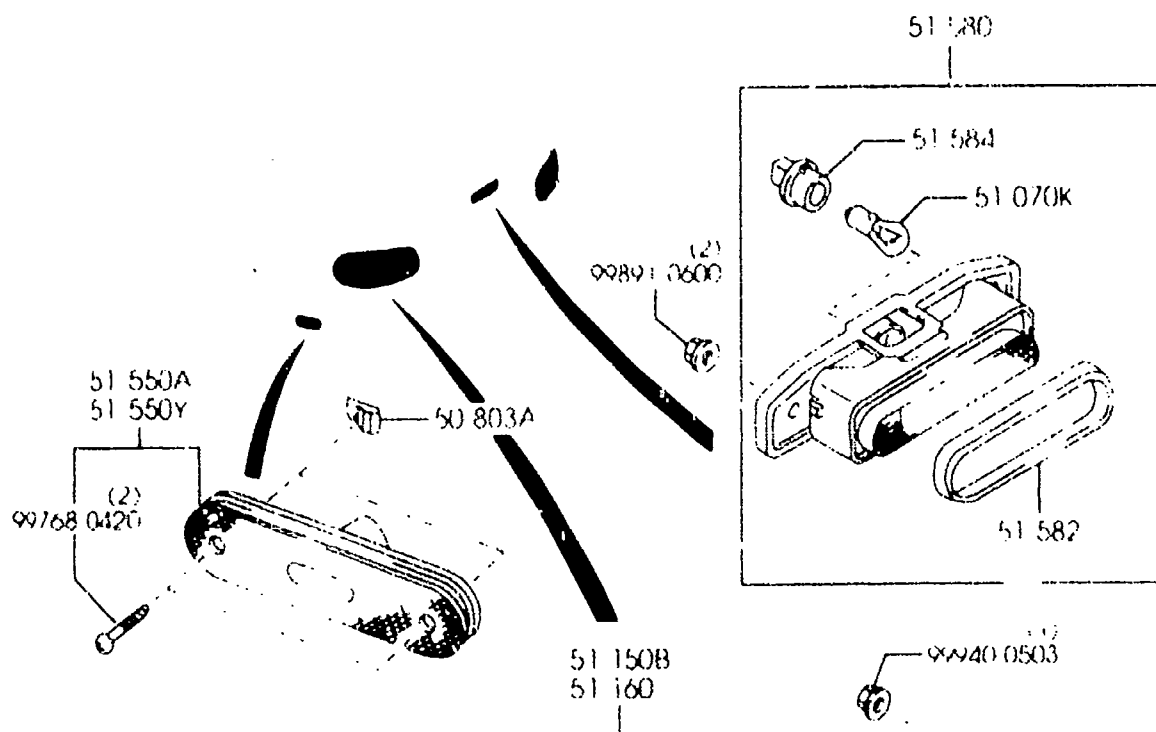
5105A -1 * FRONT COMBINATION LAMPS



| PART NO. | QTY | MODEL/RESTRICTION | MODEL/RESTRICTION | MODEL/RESTRICTION | FROM-TO |
|-------------------------|----------------------|---------------------------------|---|-------------------|---------|
| 50-803A G158-50-803 | 4 | NUT, SIDE PROTECTOR | ECROU, PROTECTEUR LAT ERAL | | |
| 51-110J 99701-6038 | 2 | BULB 12V 3.8W | AMPOULE 12V 3.8W | | |
| 51-120B 8BN1-51-120 | 1 | LAMP SET(R), SIDE TUR N | JEU, CLIGNOTANT LAT ERAL(D) | | |
| 51-120X 8BN1-51-130 | 1 | LAMP SET(L), SIDE TUR N | JEU, CLIGNOTANT LAT ERAL(G) | | |
| 51-121 NA01-51-5EXA | 1 | LENS & BODY(R) | LENTILLE ET CORPS(D) | | |
| 51-121Z NA01-51-5FXA | 1 | LENS & BODY(L) | LENTILLE ET CORPS(G) | | |
| 51-123 NA01-51-5D3A | 2 | GASKET, SIDE TURN | JOINT, CLIGNOTANT LAT ERAL | | |
| 51-124A NA01-51-5E2 | 2 | SOCKET, SIDE TURN | DOUILLE, | | |
| 51-6A0 N066-51-680 | 2 (W/FRONT FOG LAMP) | LAMP, FRONT FOG | PHARE, ANTI-BROUILLAR D | | |
| 51-6A6 B21H-51-6A6 | 2 (W/FRONT FOG LAMP) | SOCKET, LAMP | DOUILLE, LAMPE | | |
| 51-686 99703-1550 | 2 (W/FRONT FOG LAMP) | BULB, FRONT FOG LAMP 12V 55W | AMPOULE, PROJECT. ANT IBROI 12V 55W | | |
| 51-688 N066-51-688 | 2 (W/FRONT FOG LAMP) | CORD, FRONT FOG LAMP | CABLE, PROJECT. ANTIB ROUI. | | |

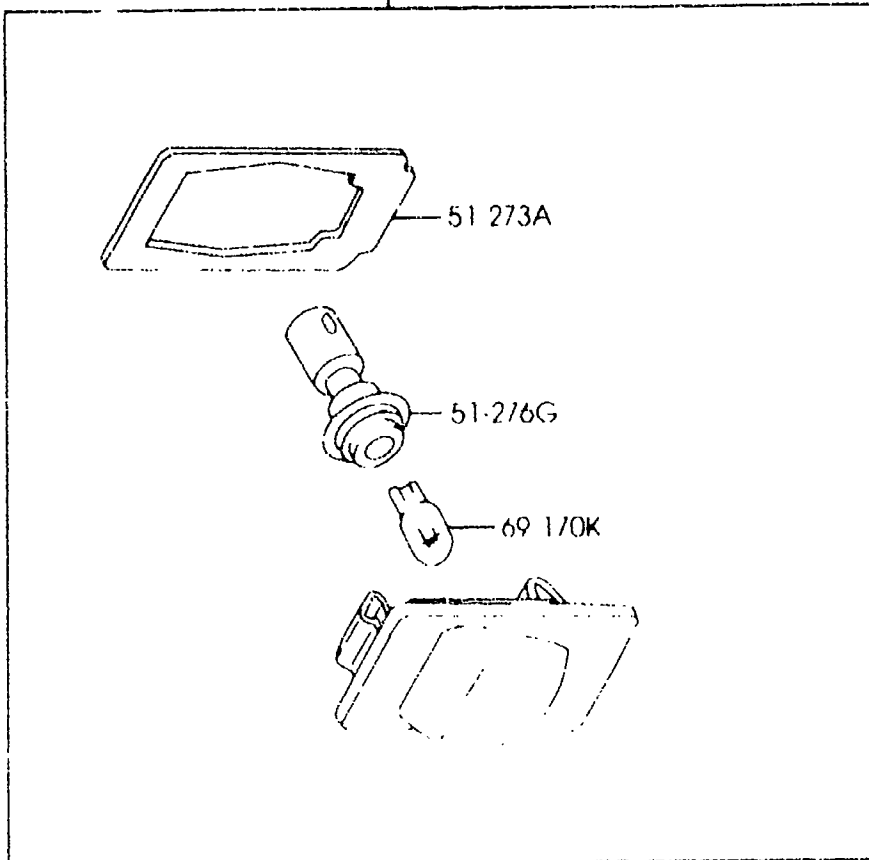
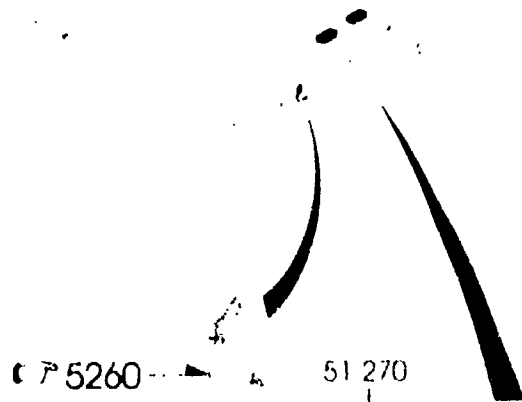
5110A REAR COMBINATION LAMPS

5110A -1 REAR COMBINATION LAMPS



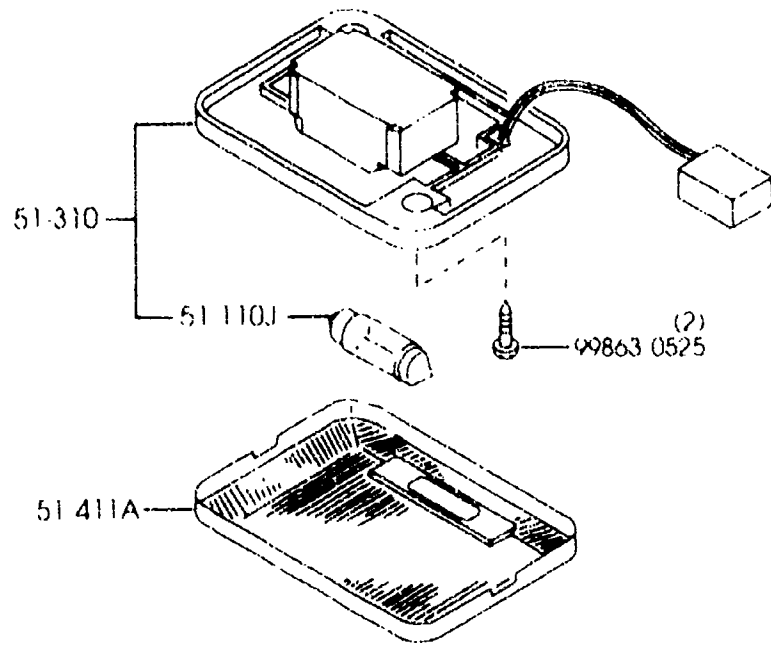
| PART NO. | QTY | MODEL/RESTRICTION | MODEL/RESTRICTION | MODEL/RESTRICTION | FROM-TO |
|------------------------|-------------------|------------------------------|-------------------------------|-------------------|---------|
| 50-803A G158-50-803 | 4 | NUT, SIDE PROTECTOR | ECROU, PROTECTEUR LAT ERAL | | |
| 51-070K 99701-3210 | 1 | BULB 12V 21W | AMPOULE 12V 21W | | |
| 51-110J 99700-6210Y | 2 | BULB | AMPOULE | | |
| 51-146 GA7B-51-146 | 2 | GROMMET, SCREW-R. COMB | ANNEAU, | | |
| 51-150B N066-51-150 | 1 | LAMP(R), RR COMB. | LAMPE(D), COMBINAISON ARR | | |
| 51-150J 99700-6210 | 2 | BULB 12V 21W | AMPOULE 12V 21W | | |
| 51-150K 99700-8215 | 2 | BULB 12V 21/5W | AMPOULE 12V 21/5W | | |
| 51-153 N066-51-155 | 2 | SOCKET, RR. COMB. | DOUILLE | | |
| 51-160 N066-51-160 | 1 | LAMP(L), RR COMB. | LAMPE(G), COMBIN. AR | | |
| 51-161A N066-51-170 | 1 | LENS & BODY(R), RR CO MB. | LENTILLE ET CORPS(D) | | |
| 51-161Y N066-51-180 | 1 | LENS & BODY(L), RR CO MB. | LENTILLE ET CORPS(G) | | |
| 51-164 H432-51-158 | 2 (ILLUST. NO. 1) | GASKET(R), RR COMB. | JOINT (D) | | |
| H432-51-158 | 2 (ILLUST. NO. 2) | | | | -1528 |
| H432-51-158 | 2 (ILLUST. NO. 3) | | | | -1528 |
| N066-51-158 | 2 (ILLUST. NO. 2) | | | | 1528- |

1528 NB35** -218797

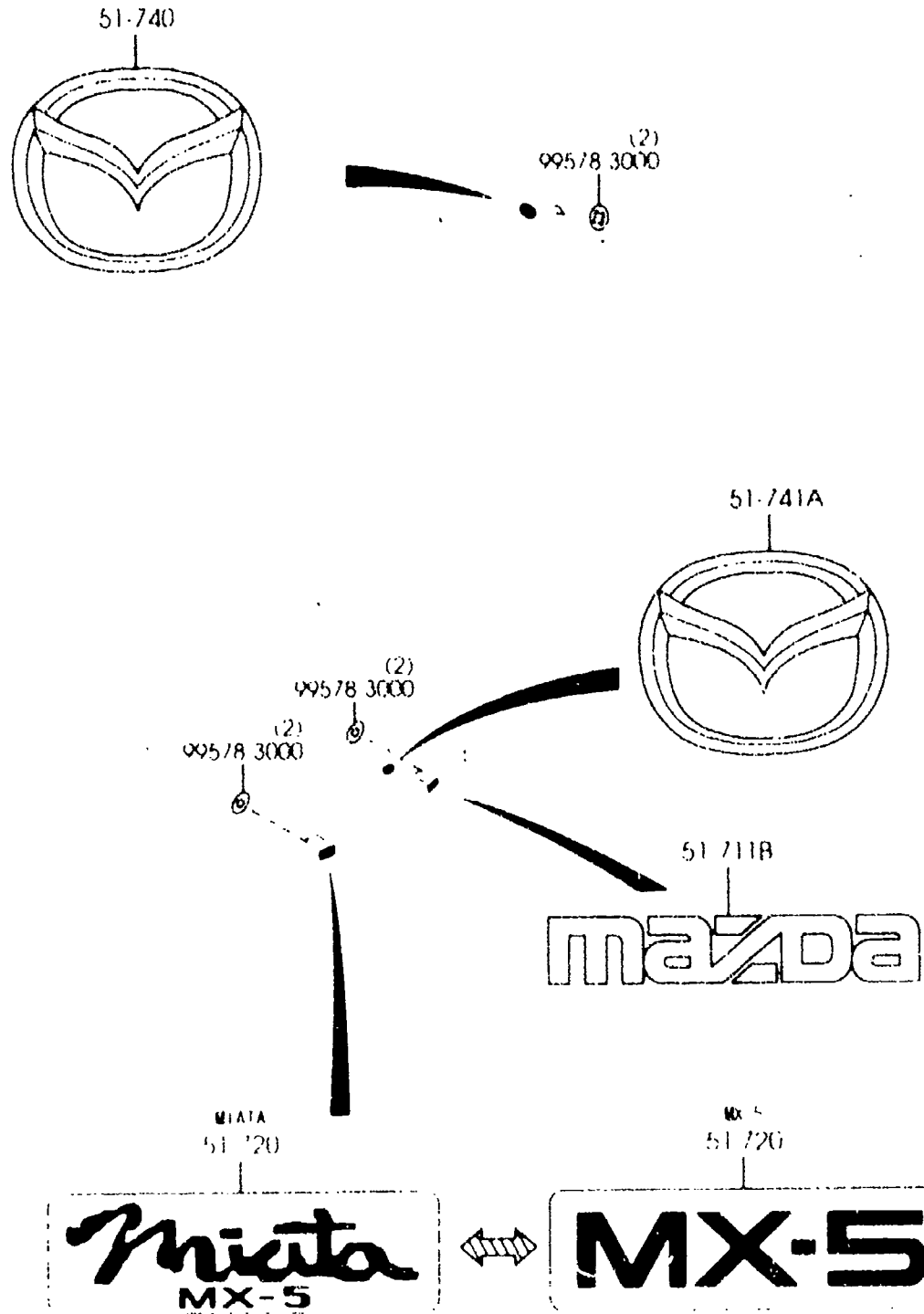


| PART NO. | QTY | MODEL/RESTRICTION | MODEL/RESTRICTION | MODEL/RESTRICTION | FROM-TO |
|-------------------------|-----|---------------------------------|------------------------|-------------------|---------|
| 51-270 NC10-51-270B | 2 | LAMP, LICENSE | FEU DE PLAQUE | | |
| 51-273A NC10-51-273A | 2 | GASKET, LICENSE | JOINT, FEU DE PLAQUE | | |
| 51-276G NC10-51-272 | 2 | SOCKET, LICENSE LAMP | DOUILLE, FEU DE PLAQUE | | |
| 69-170K 99701-6050 | 2 | BULB, INTERIOR MIRROR 12V 5W | AMPOULE 12V 5W | | |

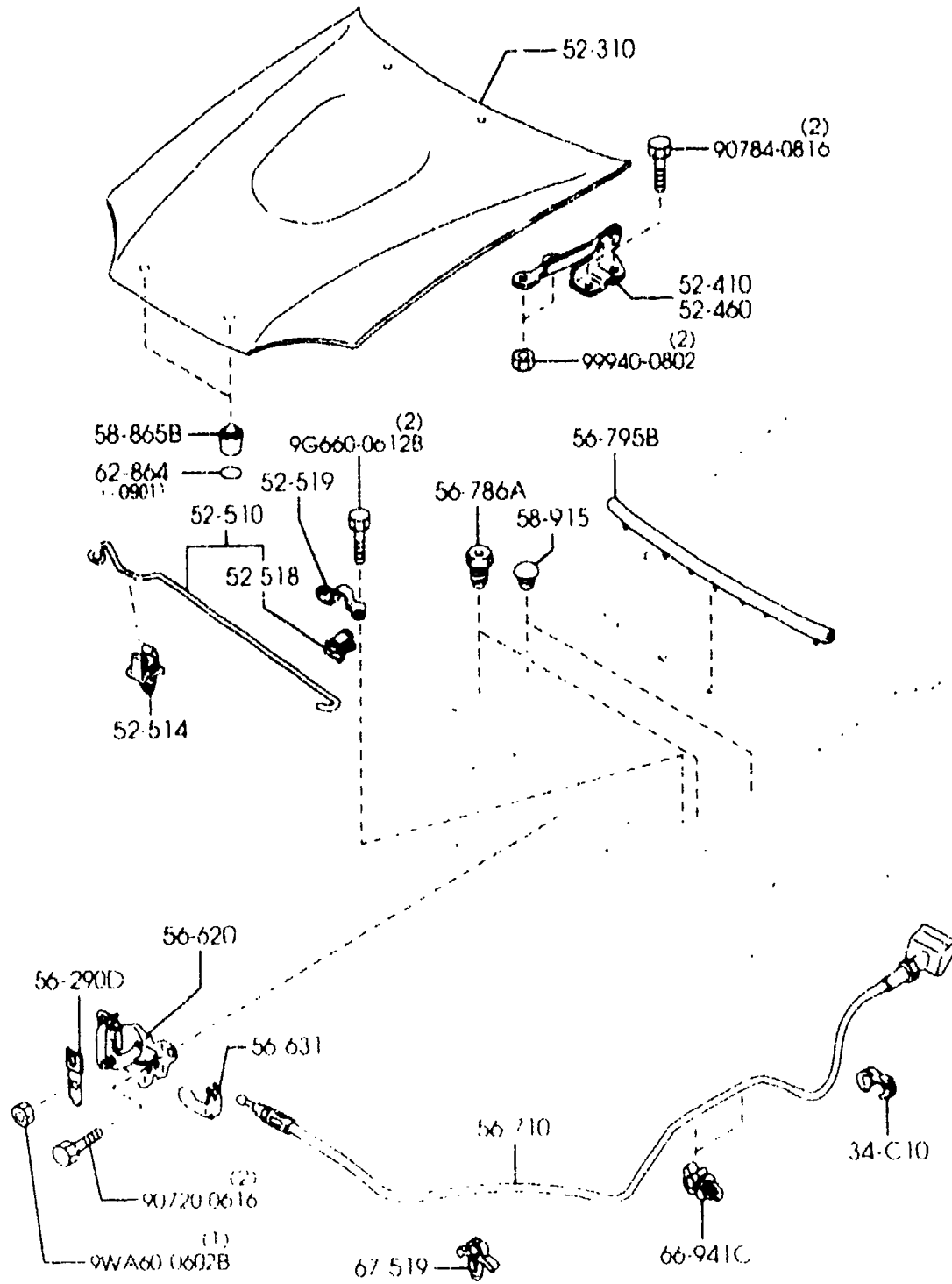
5125A INTERIOR LAMPS



| PART NO. | QTY | MODEL/RESTRICTION | MODEL/RESTRICTION | MODEL/RESTRICTION | FROM-TO |
|--|-----|-------------------|----------------------|-------------------|---------|
| 51-110J 99700-5080L | 1 | BULB 12V/8W | AMPOULE 12V/8W | | |
| 51-310 NB38-51-310B AN(NB38-51-310C) | 1 | LAMP, INTERIOR | PLAFONNIER | | -1A01 |
| *NB38-51-310C | 1 | | | | 1A01- |
| 51-411A NB38-51-311 AN(NB38-51-311A) | 1 | LENS, ROOM LAMP | LENTILLE, PLAFONNIER | | -1A01 |
| *NB38-51-311A | 1 | | | | 1A01- |
| 1A01 NB35** 223281 | | | | | |

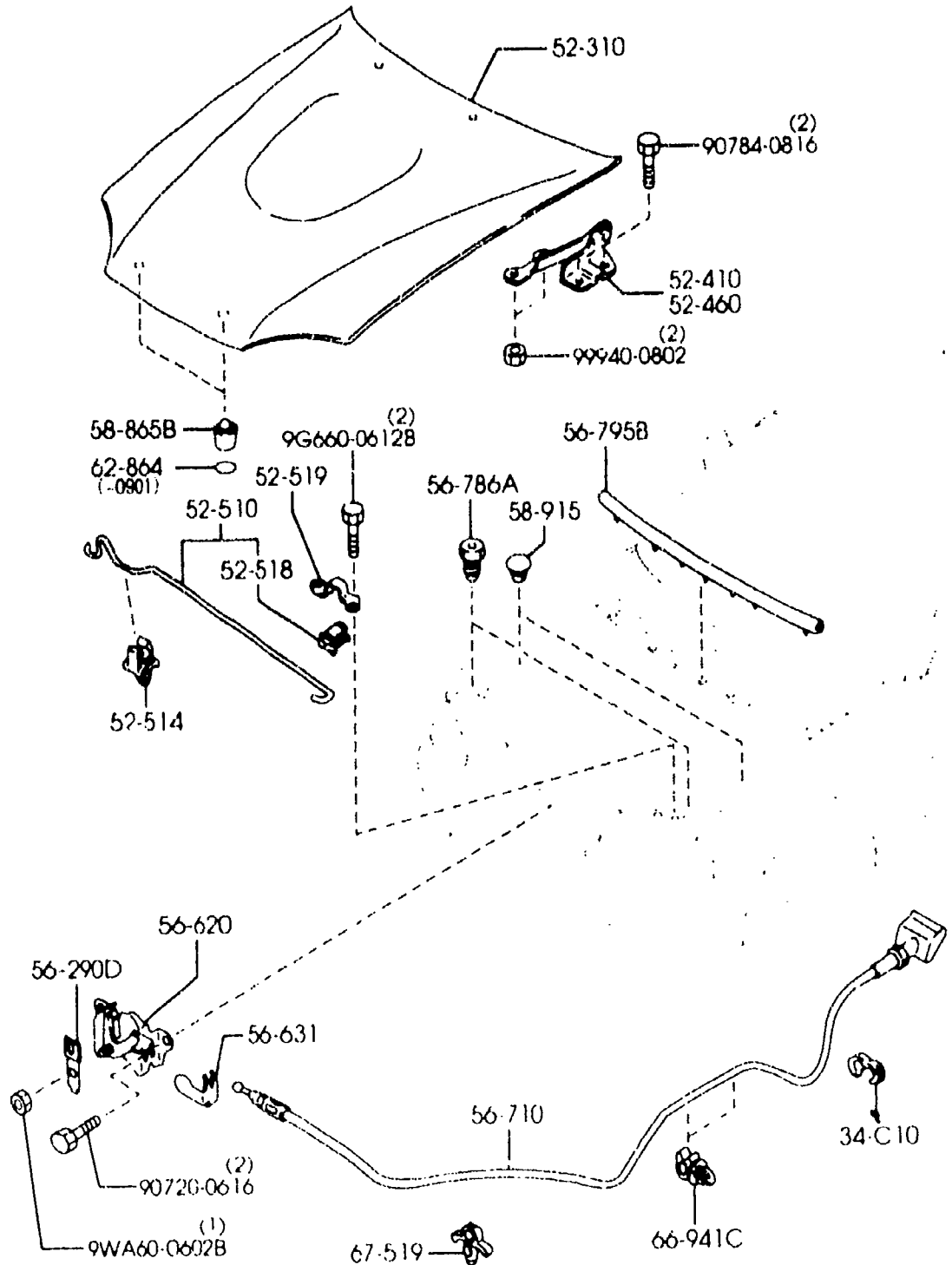


| PART NO. | QTY | MODEL/RESTRICTION | MODEL/RESTRICTION | MODEL/RESTRICTION | FROM-TO |
|--------------------------|-----|---------------------------------|---------------------------|-------------------|---------|
| 51-711B NC10-51-711 | 1 | ORNAMENT, MAKER NAME-REAR | ORNEMENT, NOM DE FAB ARR | | |
| 51-720 NC10-51-721B | 1 | ORNAMENT, CAR NAME-REAR (MIATA) | ORNEMENT, NOM DE AUTO ARR | | |
| 51-721B *NC30-51-721B | 1 | (MX-5) | | | |
| 51-740 N036-51-731 | 1 | MASCOT, FRONT | MASCOTTE AV | | |
| 51-741A NC37-51-731A | 1 | MASCOT, REAR | MASCOTTE, AR | | |



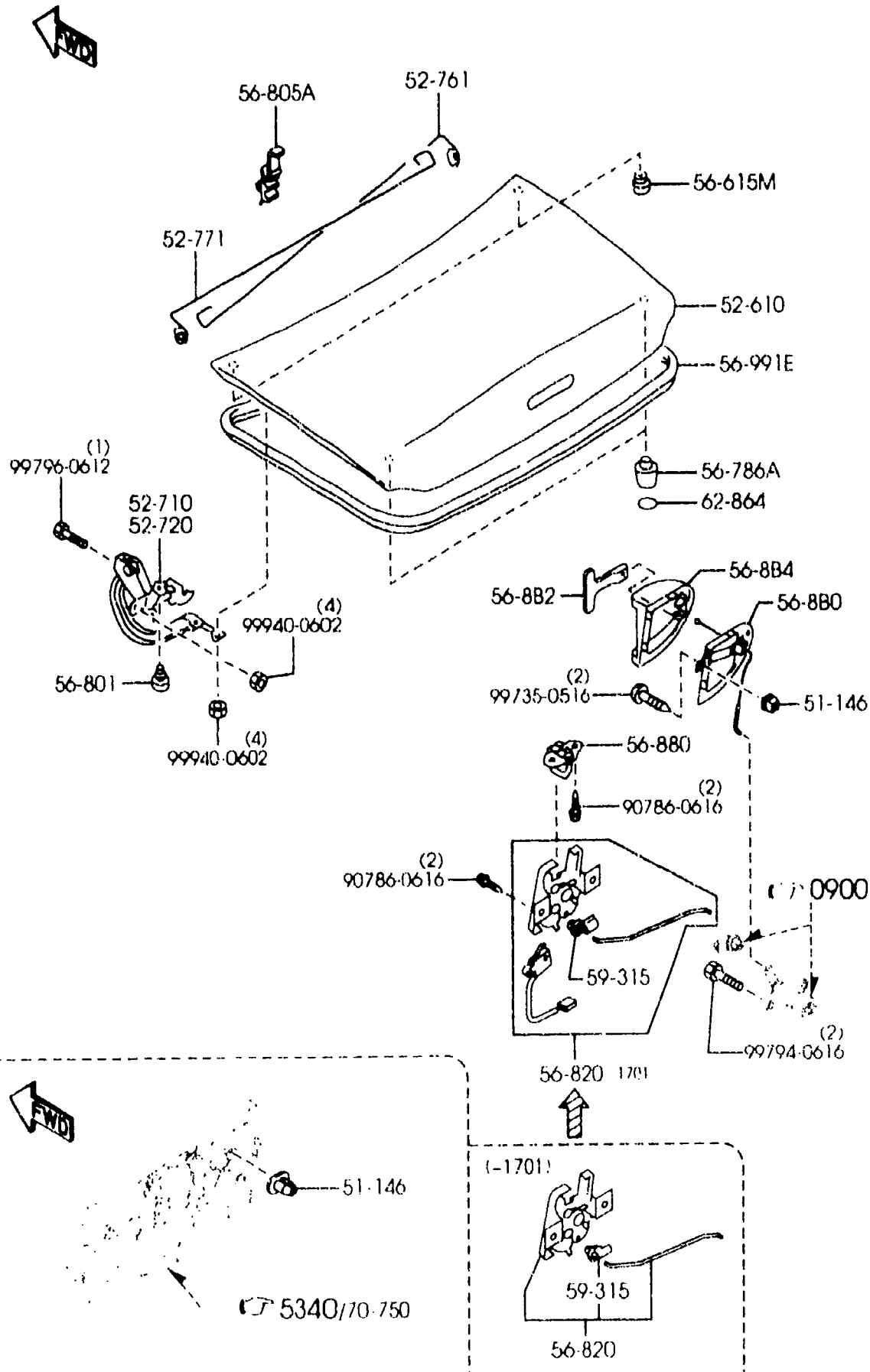
| PART NO. | QTY | MODEL/RESTRICTION | MODEL/RESTRICTION | MODEL/RESTRICTION | FROM-TO |
|----------------------------------|-----|------------------------------|-------------------------------|-------------------|---------|
| 34-C10 | | BAND, PIPE | BANDE, TUYAU. | | |
| B214-34-C10 | 1 | | | | |
| 52-310 | | BONNET | CAPOT, AV | | |
| NCY0-52-31XF A (NCY0-52-31XH) | 1 | | | | -0927 |
| NCY0-52-31XH | 1 | | | | 0927- |
| 52-410 | | HINGE(R), BONNET | CHARNIERE(D) .CAPOT | | |
| NA01-52-410D | 1 | | | | |
| 52-460 | | HINGE(L), BONNET | CHARNIERE(G), CAPOT | | |
| NA01-52-420D | 1 | | | | |
| 52-510 | | STAY, BONNET | FERRURE, CAPOT | | |
| MC10-56-450D | 1 | | | | |
| 52-514 | | HOLDER, ROD | SUPPORT, TRINGLE | | |
| G030-56-693A | 1 | | | | |
| 52-518 | | HOLDER, BONNET STAY | SUPPORT, FERRURE DE C APOT | | |
| T001-56-652 | 1 | | | | |
| 52-519 | | PLATE, SET-HOLDER | PLAQUE DE FIXATION, | | |
| B014-56-641 | 1 | | | | |
| 56-290D | | BRACKET | SUPPORT | | |
| NC10-56-626 | 1 | | | | |
| 56-620 | | LOCK, BONNET | VERROUILLAGE CAPOT | | |
| NC10-56-620A | 1 | | | | |
| 56-631 | | FASTENER, BONNET RELE ASE | AGRAFE, DECLENCH. CAP OT | | |
| LA01-56-631 | 1 | | | | |
| 56-710 | | WIRE, RELEASE-BONNET | CABLE DE DECLENCHEME NT | | |
| NC10-56-720C | 1 | | | | |
| 56-786A | | RUBBER, CUSHION | SILENT BLOC | | |
| BC1M-56-786 | 2 | | | | |

0927 NB35RW-204554



| PART NO. | QTY | MODEL/RESTRICTION | MODEL/RESTRICTION | MODEL/RESTRICTION | FROM-TO |
|-------------------------|-----|---------------------------|----------------------------|-------------------|---------|
| 56-795B NC10-56-760A | 1 | WEATHERSTRIP, BONNET-REAR | BURFLET, CAPOT-MOTEUR AR | | |
| 58-865B G030-58-873 | 2 | CUSHION, RUBBER | CAOUTCHOUC | | |
| 58-915 G001-58-915 | 2 | PLUG, HOLE | BOUCHON D'ORIFICE | | |
| 62-864 NC10-56-864A | 2 | TAPE, PROTECTOR-STOPPER | BANDE, PROTECT. - PASTILLE | | -0901 |
| 66-941C UB42-66-971 | 2 | CLIP | ATTACHE | | |
| 67-519 G030-67-519 | 1 | CLIP, PIPE | ATTACHE | | |

0901 NB35MM-203448

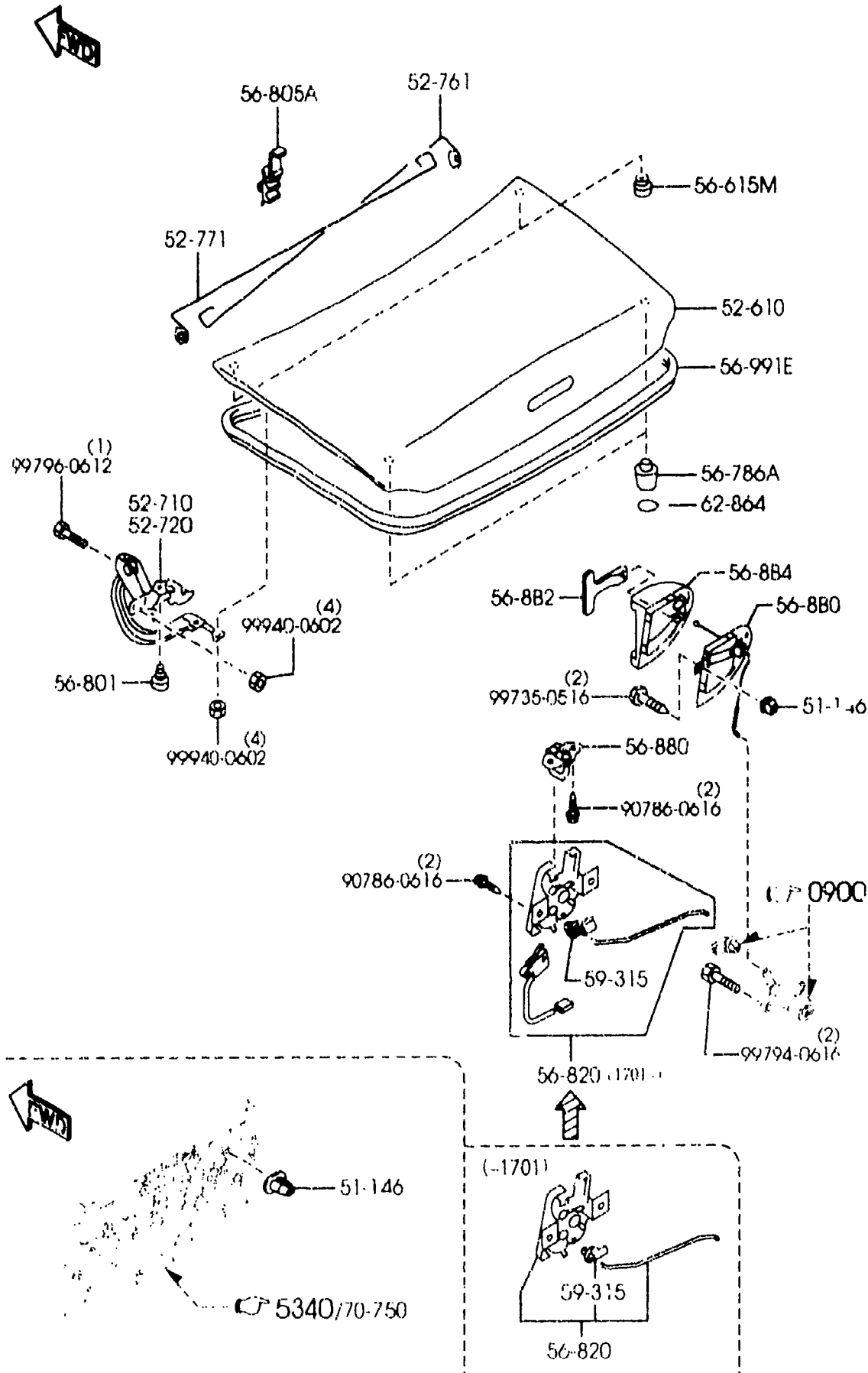


| PART NO. | QTY | MODEL/RESTRICTION | MODEL/RESTRICTION | MODEL/RESTRICTION | FROM-TO |
|--------------|-----|------------------------|---------------------------------|-------------------|---------|
| 51-146 | | GROMMET, SCREW-R.COMB | ANNEAU, | | |
| B01W-51-142B | 2 | | | | |
| 52-610 | | LID, TRUNK | COUVERCLE DE MALLE | | |
| NCY0-52-61XF | 1 | | | | |
| 52-710 | | HINGE(R), TRUNK LID | CHARNIERE (D), COFFRE | | |
| NA01-52-710C | 1 | | | | |
| 52-720 | | HINGE(L), TRUNK LID | CHARNIERE (G), COFFRE | | |
| NA01-52-720B | 1 | | | | |
| 52-761 | | SPRING(R), BALANCE | RESSORT (D), DE COMPENSAT | | |
| NC10-52-791A | 1 | | | | |
| 52-771 | | SPRING(L), BALANCE | RESSORT (G), DE COMPENSAT | | |
| NC10-52-792A | 1 | | | | |
| 56-615M | | PLUG, DRAIN | BOUCHON DE VIDANGE | | |
| NA01-56-051 | 2 | | | | |
| 56-786A | | RUBBER, CUSHION | SILENT BLOC | | |
| H043-56-786 | 2 | | | | |
| 56-880 | | CABLE, RELEASE | CABLE DECLENCHEUR | | |
| NC10-56-880B | 1 | | | | |
| 56-882 | | HANDLE, RELEASE | MANETTE, DECHARGE | | |
| BJ0E-56-882B | 1 | | | | |
| 56-884 | | BASE(L), IN REL HANDLE | SOCLE MANETTE REL INT(G) | | |
| NC10-56-884A | 1 | | | | |
| 56-801 | | CUSHION, LID HINGE | COUSSIN, CHARNIERE DE COUVERCLE | | |
| NA01-56-802 | 2 | | | | |
| 56-805A | | HOLDER, BALANCE SPRING | PORTE, RESSORT BALANCE | | |
| NA01-56-805 | 1 | | | | |
| 56-820 | | LOCK, LID | VERROUILLAGE COFFRE | | |
| N066-56-820C | 1 | (W/KEY LESS ENTRY) | | | -0901 |

0901 NB35** -203448

5260A TRUNK LID

5260A -2 * TRUNK LID

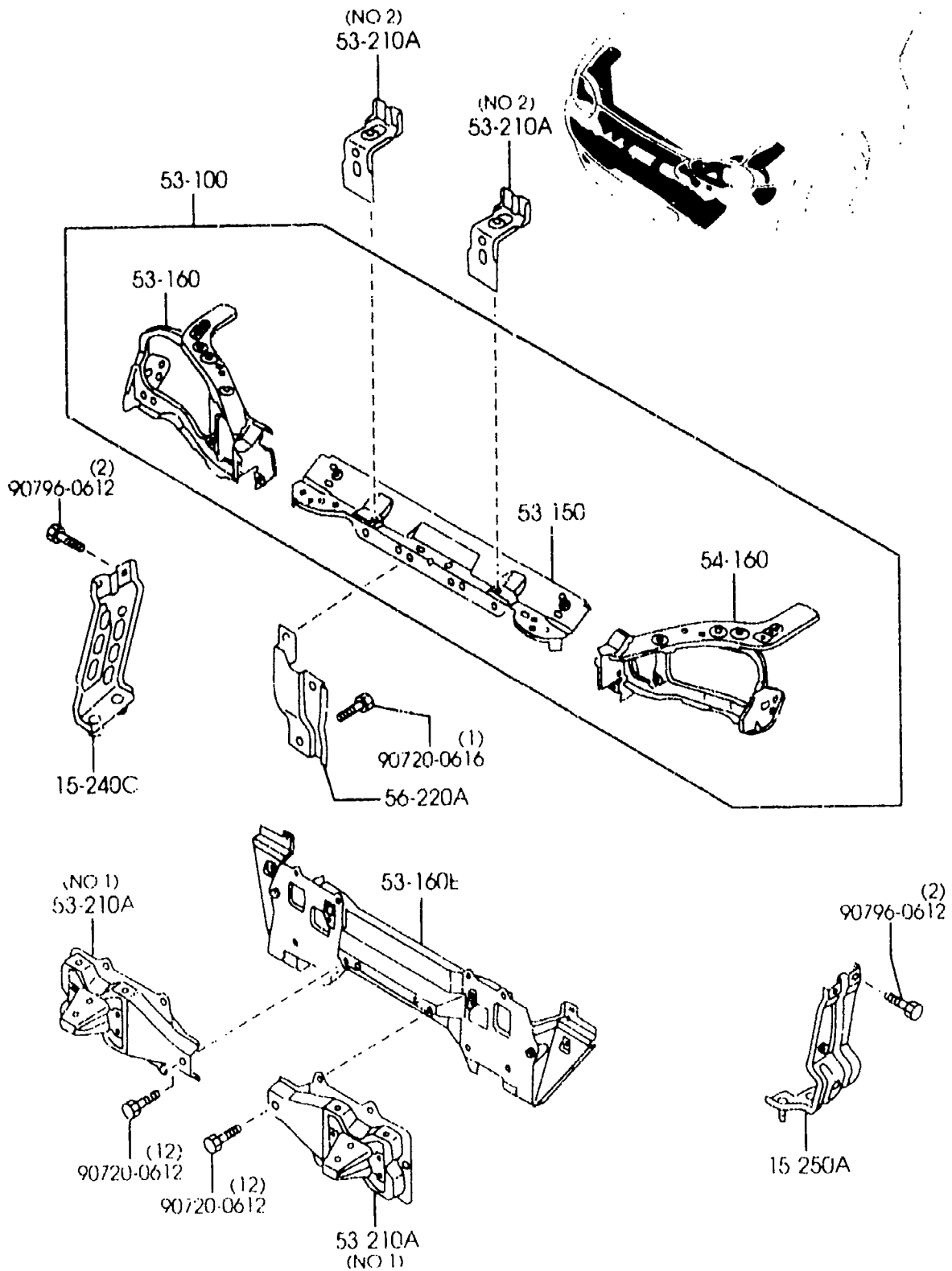


| PART NO. | QTY | MODEL/RESTRICTION | MODEL/RESTRICTION | MODEL/RESTRICTION | FROM-TO |
|-------------------------|-----|----------------------------|-----------------------------|-------------------|-----------|
| CONT'D | | | | | |
| AN(N066-56-820D) | | | | | |
| NC10-56-820C | 1 | (W/O KEY LESS ENTRY) | | | -1701 |
| N066-56-820D | 1 | (W/KEY LESS ENTRY) | | | 0901-1701 |
| *NC87-56-820B | 1 | (W/O KEY LESS ENTRY) | | | 1701- |
| *NC88-56-820A | 1 | (W/KEY LESS ENTRY) | | | 1701- |
| 56-880 | | STRIKER,LID | GACHE, COFFRE | | |
| NA01-56-840 | 1 | | | | |
| 56-991E | | WEATHERSTRIP,LID | PROFILE D'ETANCH., | | |
| NC10-56-951 | 1 | | | | |
| 59-315 | | CLIP | ATTACHE | | |
| G030-59-315 | 1 | | | | |
| 62-864 | | TAPE,PROTECTOR-STOPP ER | RANDE,PROTECT.-PASTI LLE | | |
| G043-62-864A | 2 | | | | |

0901 NB35**-203448
1701 NB35**-219555

5310A FRONT PANELS

5310A -1 * FRONT PANELS

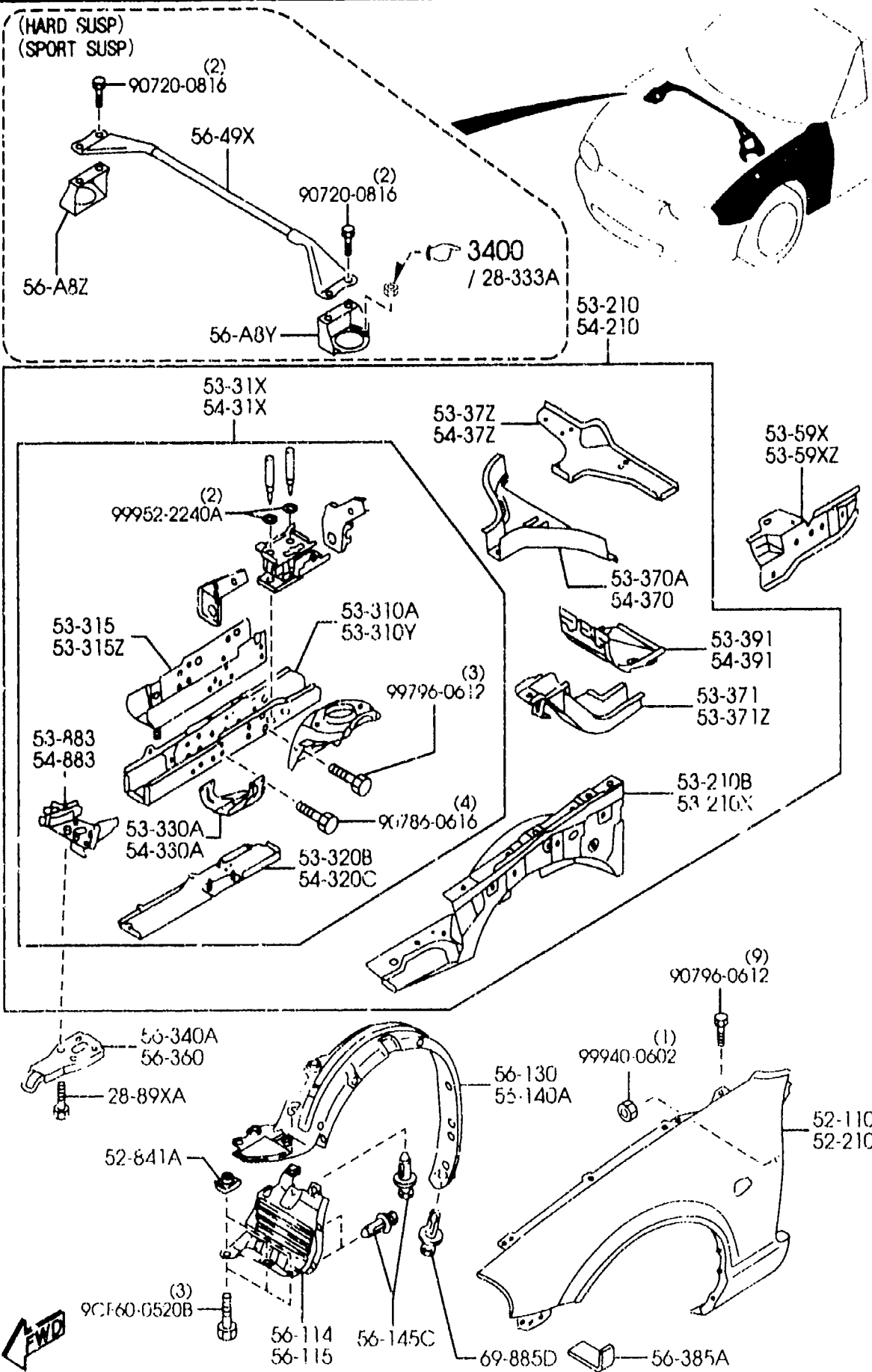


| PART NO. | QTY | MODEL/RESTRICTION | MODEL/RESTRICTION | MODEL/RESTRICTION | PROG-TO |
|----------------------------------|------------------|----------------------|------------------------|-------------------|---------|
| 15-240C | | BRACKET(R), RADIATOR | SUPPORT(D), RADIATEUR | | |
| BP4W-15-241 | 1 | | | | |
| 15-250A | | BRACKET(L), RADIATOR | SUPPORT(G), RADIATEUR | | |
| BP4W-15-250 | 1 | | | | |
| 53-100 | | PANEL, SHROUD | TOLE DE RADIATEUR | | |
| NU67-53-100A A (NO67-53-100B) | 1 | | | | -0C01 |
| NO67-53-100B | 1 | | | | 0C01- |
| 53-150 | | MEMBER, SHROUD-UPPER | PLAQUE SUP. DEFLECTEUR | | |
| NO67-53-150A | 1 | | | | |
| 53-160 | | PANEL(R), SHROUD | PANNEAU(R), DEFLECTEUR | | |
| NCY0-53-120B | 1 | | | | |
| 53-160E | | MEMBER NO.1, CROSS | TRAVERSE NO 1 | | |
| NO67-53-16XA | 1 | | | | |
| 53-210A | | BRACKET, BUMPER | ATTACHE, PARE-CHOCS | | |
| NC10-52-12X | 2 (ILLUST. NO.1) | | | | |
| NC10-53-100A | 2 (ILLUST. NO.2) | | | | |
| 54-160 | | PANEL(L), SHROUD | PANNEAU(G), DEFLECTEUR | | |
| NCY0-54-120B | 1 | | | | |
| 56-220A | | STAY, LOCK-BONNET | SUPPORT, SERRURE-CAPO | | |
| NO53-56-221C | 1 | | | | |

0C01 NB35**-207195

5320A FENDER & WHEEL APRON PANELS

5320A -1 FENDER & WHEEL APRON PANELS



| PART NO. | QTY | MODEL/RESTRICTION | MODEL/RESTRICTION | MODEL/RESTRICTION | FROM-TO |
|-------------------------|-----|--------------------------|----------------------------|-------------------|---------|
| 28-89XA GJ21-28-89X | 6 | BOLT,CROSS MEMBER | BOULON, TRAVERSE PROF ILEE | | |
| 52-110 NCY0-52-110F | 1 | PANEL(R),FENDER-FRT. | AILE AVANT (D) | | |
| 52-210 NCY0-52-210F | 1 | PANEL(L),FENDER-FRT. | AILE AVANT (G) | | |
| 52-841A B455-56-135 | 6 | NUT,CIP | ECROU | | |
| 53-210 NCY0-53-200B | 1 | PANEL(R),APRON & FRAME | PASSAGE DE ROUE (D) | | |
| 53-210B N067-53-210A | 1 | PANEL(R),WHEEL APRON | PANNEAU(D),TABLIER ROUE | | |
| 53-210X N067-54-210A | 1 | PANEL(L),WHEEL APRON | PANNEAU(G),TABLIER ROUE | | |
| 53-31X N066-53-31X | 1 | FRAME(R),FRONT | CADRE(D),AVANT | | |
| 53-310A NC10-53-310 | 1 | FRAME(R),SIDE-INNER | CADRE LATERAL INT.(D) | | |
| 53-310Y NC10-54-310 | 1 | FRAME(L),SIDE-INNER | CADRE LATERAL INT.(G) | | |
| 53-315 NC10-53-35XA | 1 | REINF.(R),FRAME-FRT SIDE | RENFORT(D),CHASSIS-A VANT. | | |
| 53-315Z NC10-54-35XA | 1 | REINF.(L),FRAME-FRT SIDE | RENFORT(D),CHASSIS-A VANT | | |
| 53-320B HC10-53-320B | 1 | FRAME(R),SIDE-FRONT | CADRE(D),LATERALE-AVANT | | |
| 53-330A N067-53-330 | 1 | BRACKET(R),STABILIZER | SUPPORT(D),STABILIZATEUR. | | |

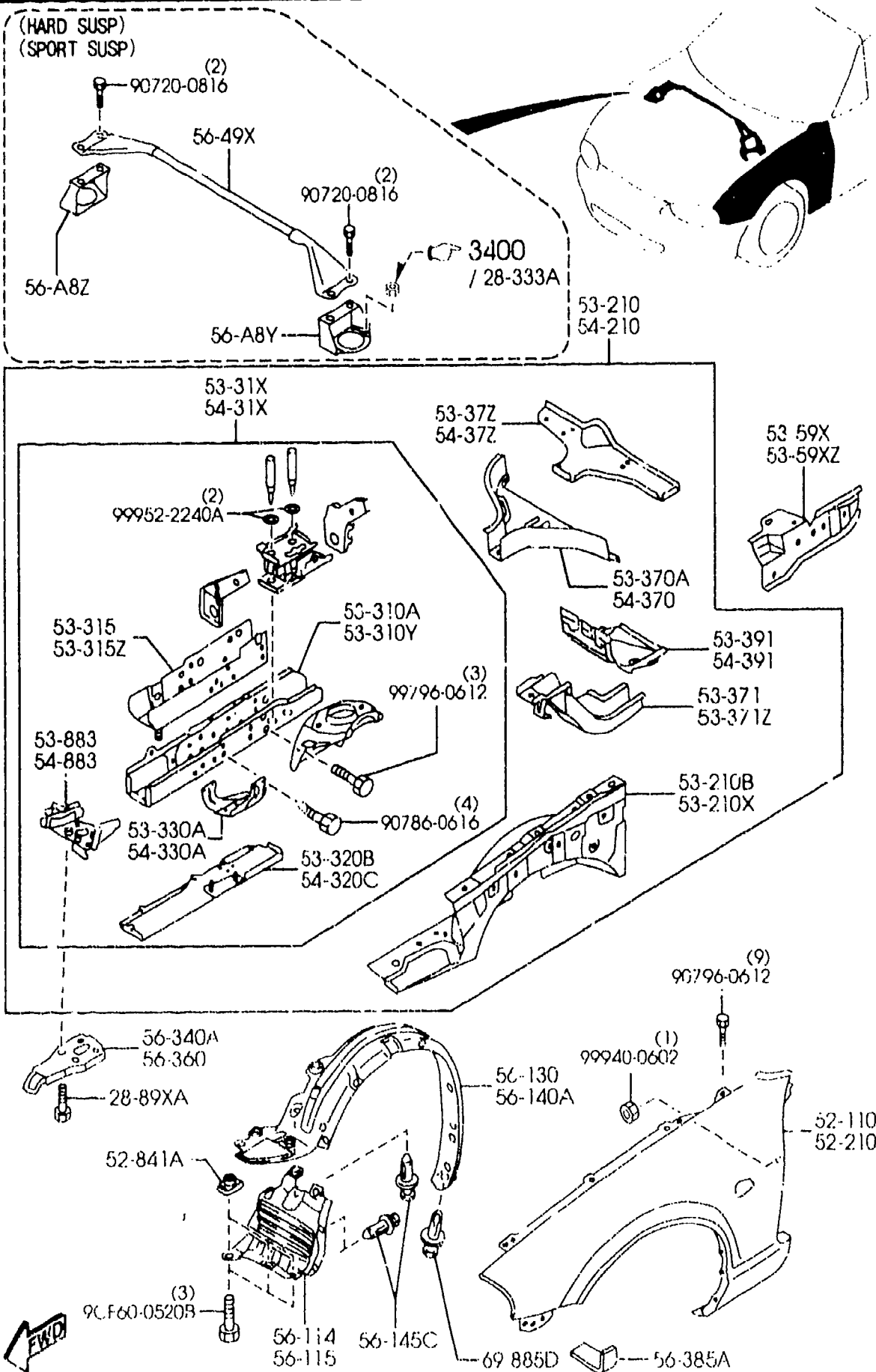
AUNA08

CAT. AUNA08-04

2001-12

2-M 6

5320A FENDER & WHEEL APRON PANELS



| PART NO. | QTY | MODEL/RESTRICTION | MODEL/RESTRICTION | MODEL/RESTRICTION | FROM-TO |
|--------------|-----|-------------------------|----------------------|-------------------|---------|
| 53-37Z | 1 | FRAME(UP.R),FRONT-REAR | CHASSIS(SUP.D),AV-AR | | |
| NA01-53-37ZB | 1 | | | | |
| 53-370A | 1 | GUSSET(R),FRONT FRAME | GOUSSET(D),CHASSIS A | | |
| NA01-53-370A | 1 | | | | |
| 53-371 | 1 | FRAME(K),BUMPER-F.SIDE | CHASSIS(D),AMORTISS. | | |
| NC10-53-390A | 1 | | -AVA. | | |
| 53-371Z | 1 | FRAME(L),BUMPER-F.SIDE | CHASSIS(G),AMORTISS. | | |
| NC10-54-390A | 1 | | AVA. | | |
| 53-391 | 1 | BOX(R),TORQUE | BOITIER (D), COUPLE | | |
| NA01-53-391 | 1 | | MOTEUR | | |
| 53-59X | 1 | REINF.(R),WHEEL APRON | RENFORT(D),TABLIER | | |
| NA01-53-591 | 1 | | N | | |
| 53-59XZ | 1 | REINF.(L),WHEEL APRON | RENFORT(G),TABLIER | | |
| NA01-54-590 | 1 | | N | | |
| 53-883 | 1 | REINF.(R),TIE DOWN HOOK | RENFORT(D),CRUC FIXA | | |
| NA01-53-32XB | 1 | | T SOL | | |
| 54-210 | 1 | PANEL(L),APRON & FRAME | PASSAGE DE ROUE (G) | | |
| NCYD-54-200B | 1 | | ME | | |
| 54-31X | 1 | FRAME(L),FRONT | CADRE(G),AVANT | | |
| N066-54-31X | 1 | | | | |
| 54-320C | 1 | FRAM(L),SIDE-FRONT | CADRE(G),LATERALF-AV | | |
| NC10-54-320 | 1 | | ANT. | | |
| 54-330A | 1 | BRACKET(L),STABILIZER | SUPPORT(G),STABILIZA | | |
| N067-54-330 | 1 | | T. | | |
| 54-37Z | 1 | FRAME(UP.L),FRONT-REAR | CHASSIS(SUP.G),AV-AR | | |
| NA01-54-37ZD | 1 | | AR | | |
| 54-370 | 1 | GUSSE(L),FRONT FRAME | GOUSSET(G),CHASSIS A | | |
| NA01-54-370A | 1 | | V | | |

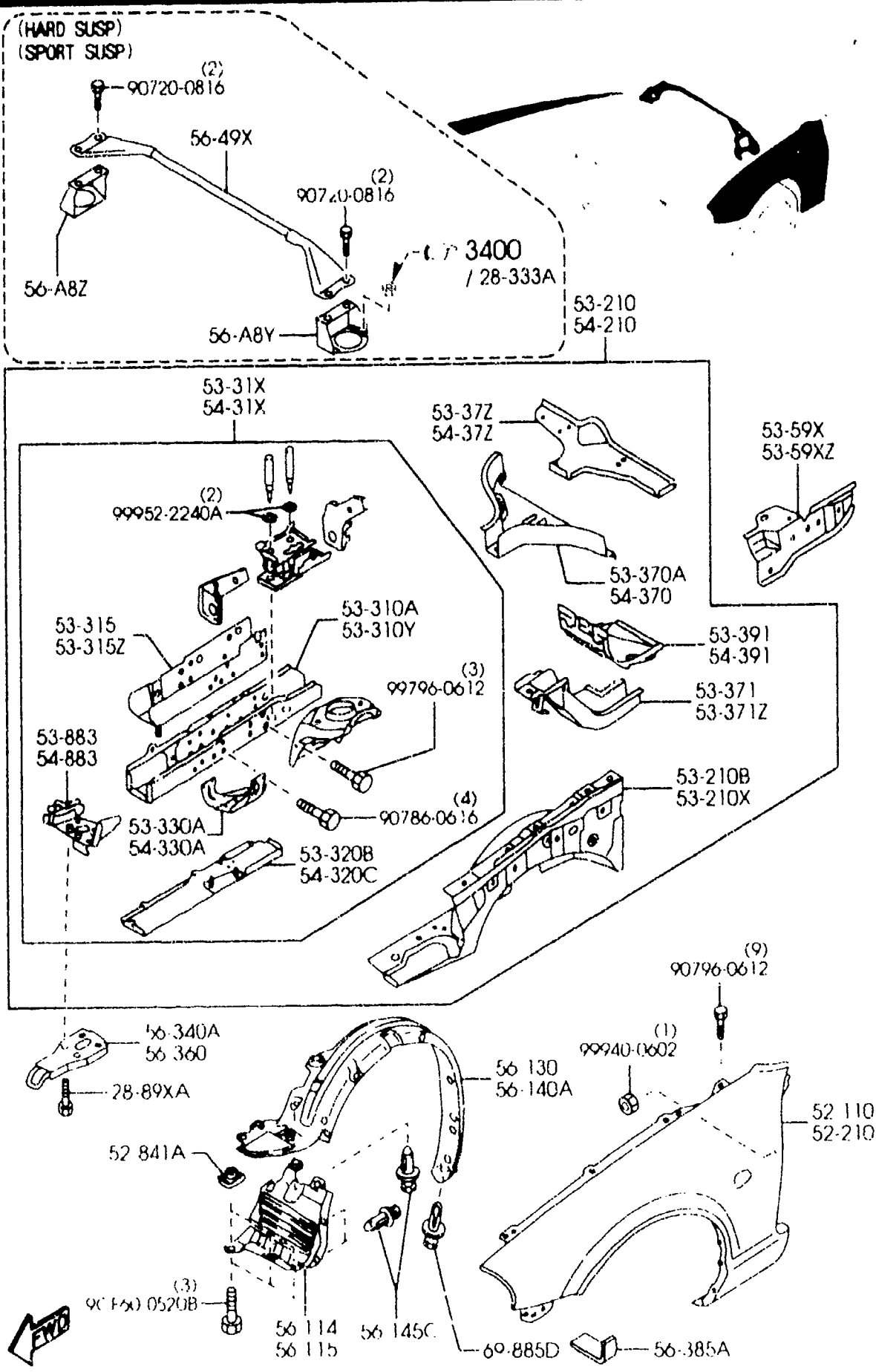
AUNA08

CAT. AUNA08-04

2001-12

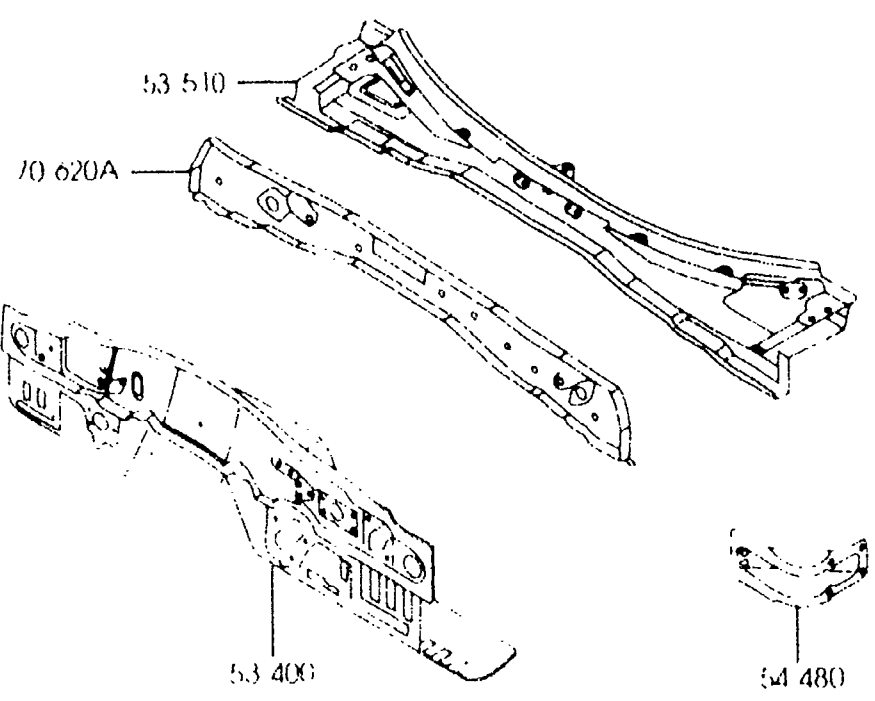
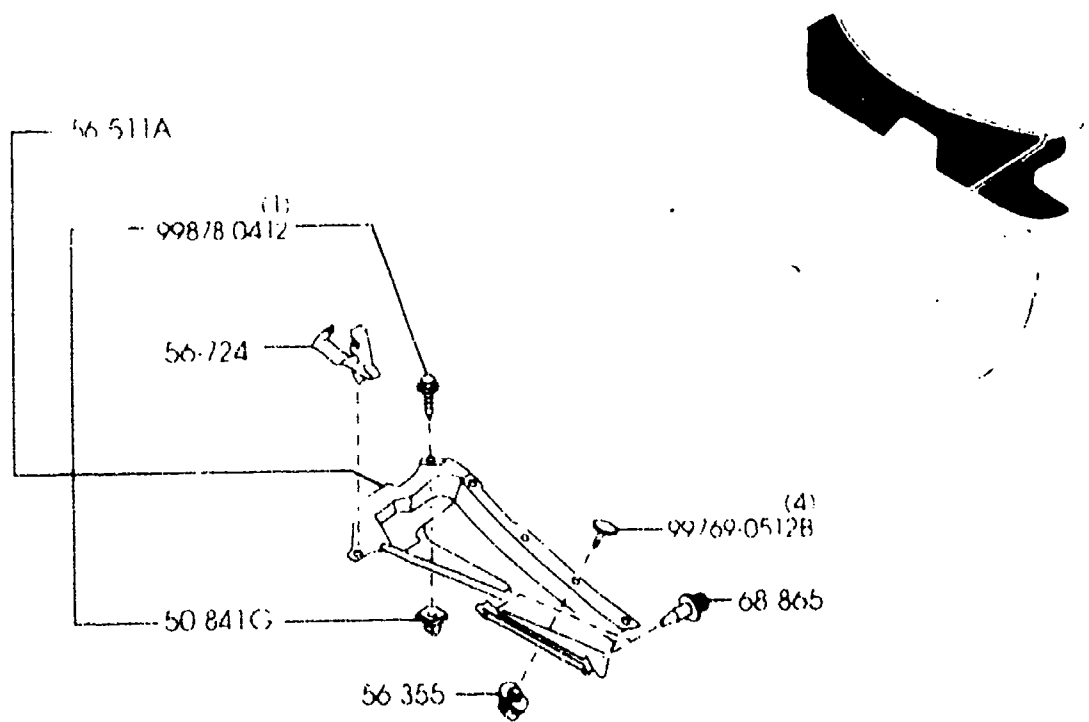
2-N-6

5320A FENDER & WHEEL APRON PANELS



| PART NO. | QTY | MODEL/RESTRICTION | MODEL/RESTRICTION | MODEL/RESTRICTION | FROM-TO |
|-------------|-----|-------------------|-------------------|-------------------|---------|
| 69-885D | | FASTENER | AGRAFE | | |
| NA01-56-145 | 2 | | | | |

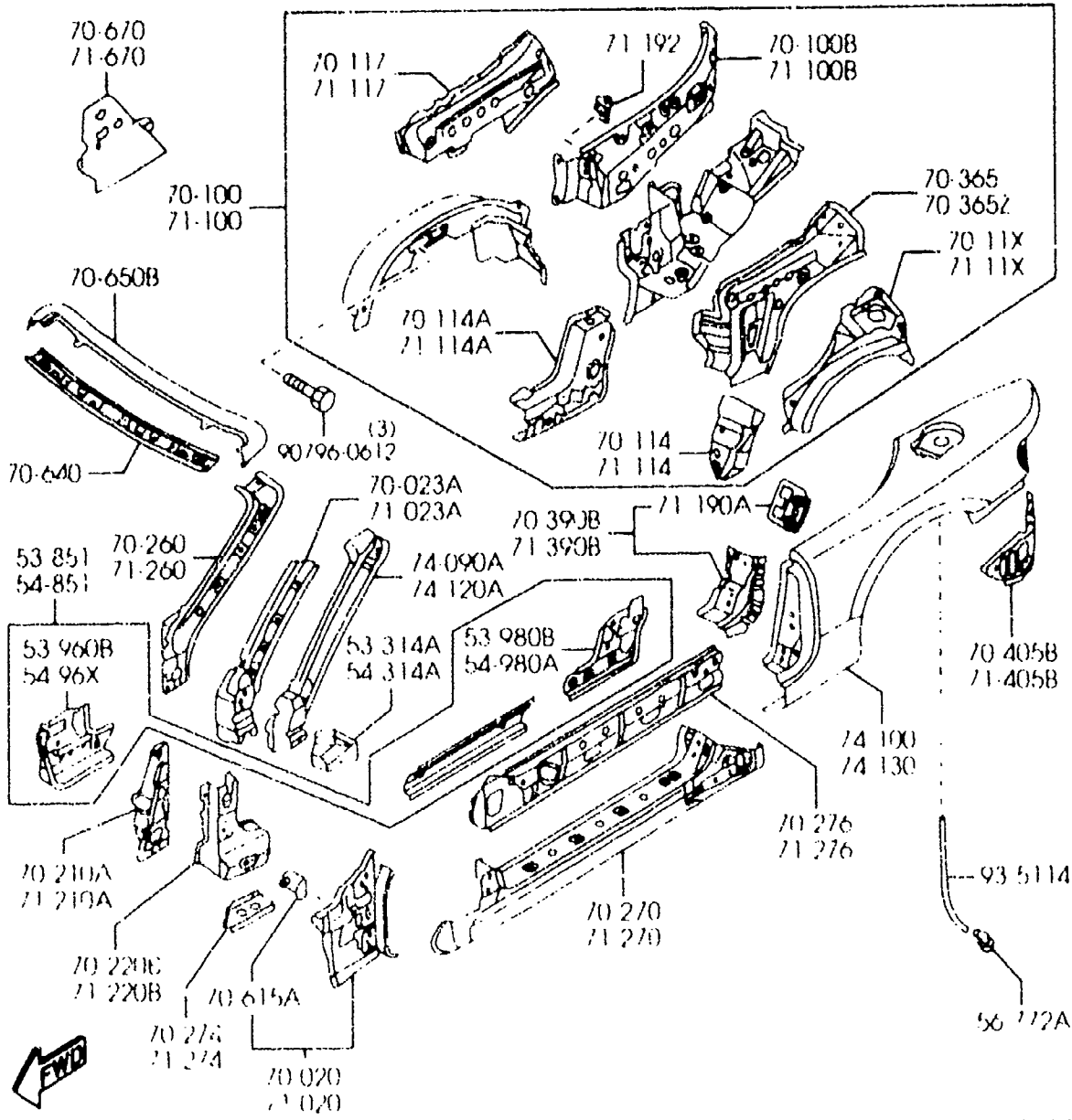
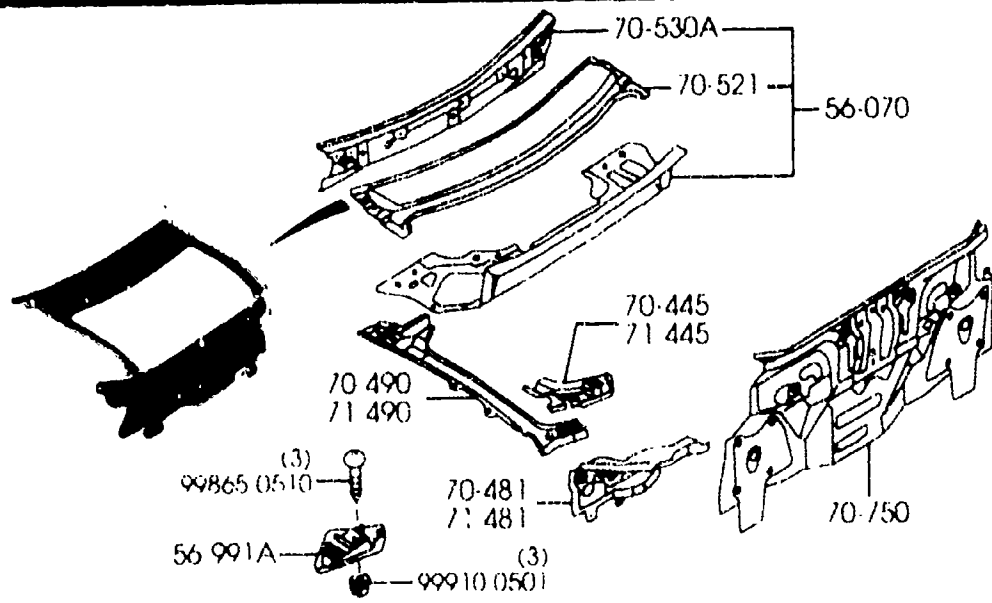
5330A DASH & COWL PANELS



| PART NO. | QTY | MODEL/RESTRICTION | MODEL/RESTRICTION | MODEL/RESTRICTION | FROM-TO |
|-------------------------|-----|--------------------------|-----------------------------|-------------------|---------|
| 50-841G F044-51-912 | 1 | GROMMET SCREW | ANNEAU | | |
| 53-400 NC10-54-400B | 1 | PANEL, DASH-LOWER | TRAVERSE INFERIEURE | | |
| 53-510 NC10-53-510A | 1 | PANEL, DASH-UPPER | TRAVERSE SUPERIEURE | | |
| 54-480 NA01-54-480B | 2 | JUNCTION, DASH SIDE-SILL | RACCORD, COTE TAB.-M. PIED | | |
| 56-355 G211-56-355A | 4 | GROMMET, SCREW-BAFFLE | BAGUE, VIS-CHICANE | | |
| 56-511A NA01-56-35X | 1 | COVER, BAFFLE-COWL PANEL | COUVERCLE, CHICANE-P/ CAPOT | | |
| 56-724 NC10-56-833 | 1 | CLIP 'B', WIRE-BONNET | COLLIER 'B', CABLE-CAPOT | | |
| 68-865 N067-68-865 | 2 | FASTENER | AGRAFE | | |
| 70-620A NA01-70-62YD | 1 | PANEL, COWL-FRONT | PANNEAU, CAPOTAGE, AV | | |

5340A SIDE PANELS

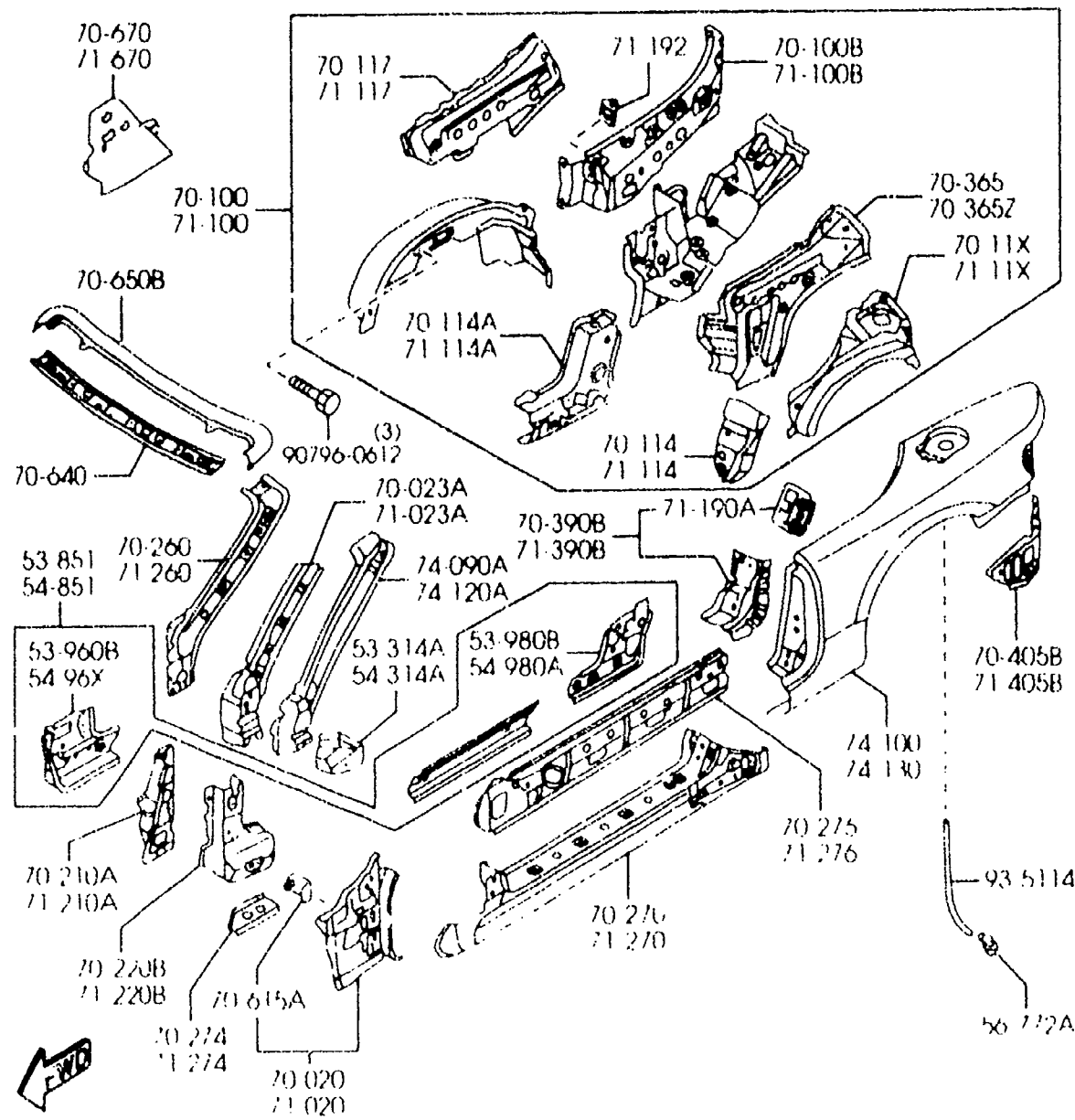
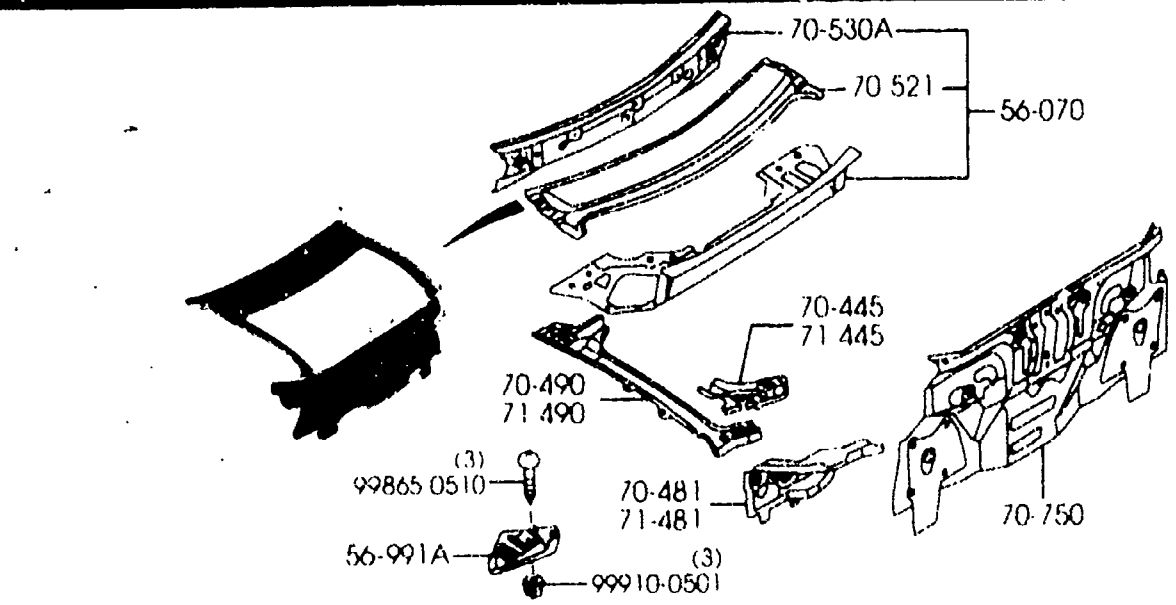
5340A -1 SIDE PANELS



| PART NO. | QTY | MODEL/RESTRICTION | MODEL/RESTRICTION | MODEL/RESTRICTION | FROM-TO |
|--------------|-----|------------------------|----------------------------|-------------------|---------|
| 53-314A | 1 | BRACKET(R),INST. | SUPPORT INSTRUMENTS(D) | | |
| NA01-70-071A | | | | | |
| 53-851 | 1 | REINF(R),ANCHORAGE | RENFORT PT ATTACHE(D) | | |
| N067-53-971A | | | | | |
| 53-960B | 1 | SILL(FRT.R),SIDE-INNER | MARCHE PIED(AV.D),LATER | | |
| N067-53-95XA | | | | | |
| 53-980B | 1 | SILL(RR.R),SIDE-INNER | MARCHE-PIED(AR.D),LATER | | |
| N067-53-95ZA | | | | | |
| 54-314A | 1 | BRACKET(L),INST. | SUPPORT INSTRUMENTS(G) | | |
| NA01-71-071A | | | | | |
| 54-851 | 1 | REINF(L),ANCHORAGE | RENFORT PT ATTACHE(G) | | |
| N067-54-971A | | | | | |
| 54-96X | 1 | SILL(FRT.L),SIDE-INNER | MARCHE-PIED(AV.G),LATER | | |
| N067-54-95XA | | | | | |
| 54-980A | 1 | SILL(RR.L),SIDE-INNER | MARCHE-PIED(AR.D),LATER | | |
| N067-54-95ZA | | | | | |
| 56-070 | 1 | PANEL,BULK HEAD | PANNEAU RENFORT AV. | | |
| NC10-70-50Y | | | | | |
| 56-772A | 1 | PIPE,DRAIN-RR FENDER | TUYAU,VIDANGE-P.CHOC S AR | | |
| NC10-56-481A | | | | | |
| 56-991A | 1 | COVER,SERVICE HOLE | CHAPEAU, ORIFICE DE VISITE | | |
| NA01-56-971 | | | | | |
| 70-020 | 1 | PANEL(R),COWL SIDE | ARMATURE DE COTE (D) | | |
| N067-70-020 | | | | | |
| 70-023A | 1 | REINF(R),F.PILLAR | RENFORCE.(R)MONTANT-AVANT | | |
| N067-70-244 | | | | | |
| 70-100 | 1 | PANEL(R),QUARTER | MONTANT (D) ARR. | | |
| N067-70-100 | | | | | |

5340A SIDE PANELS

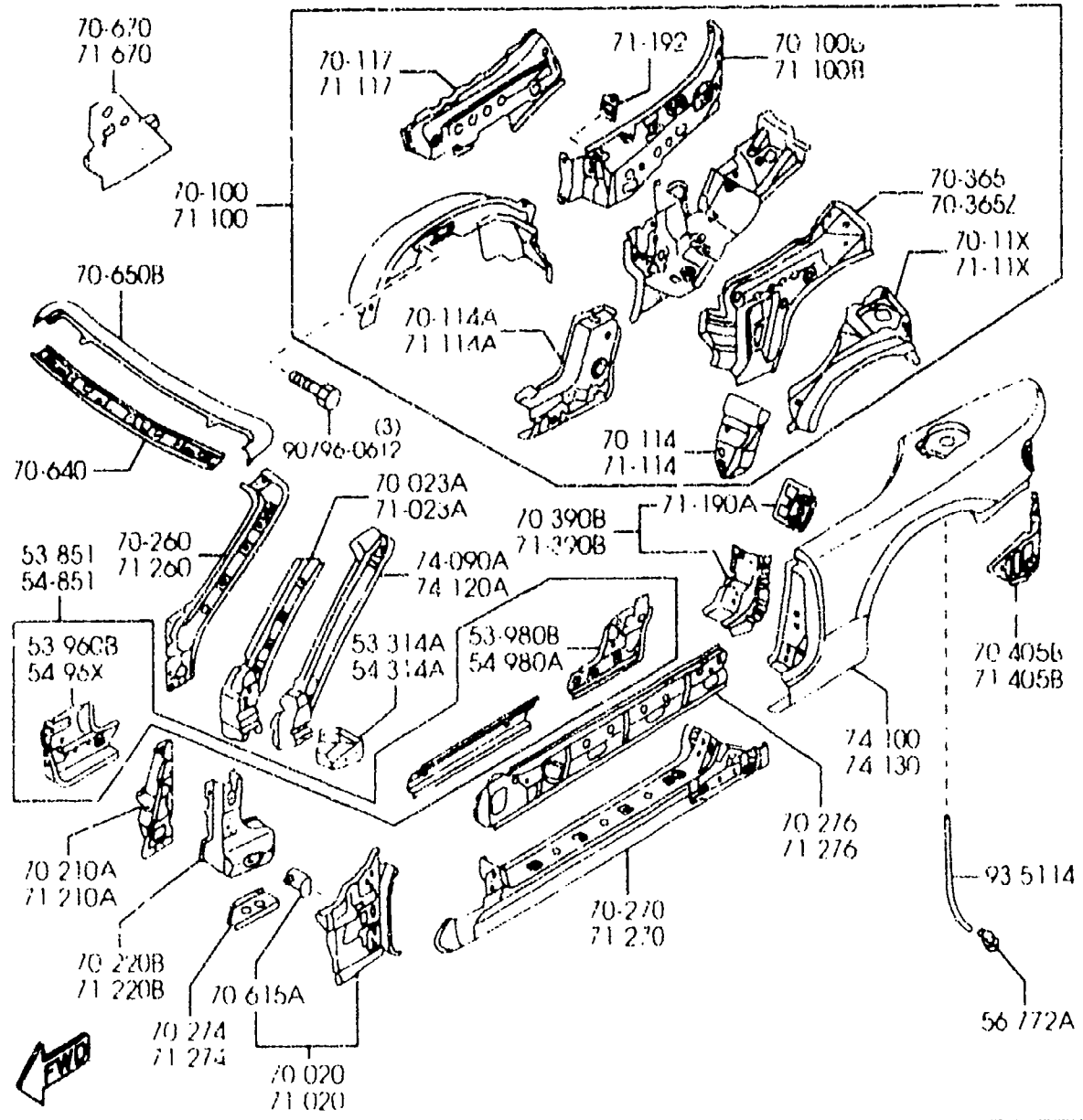
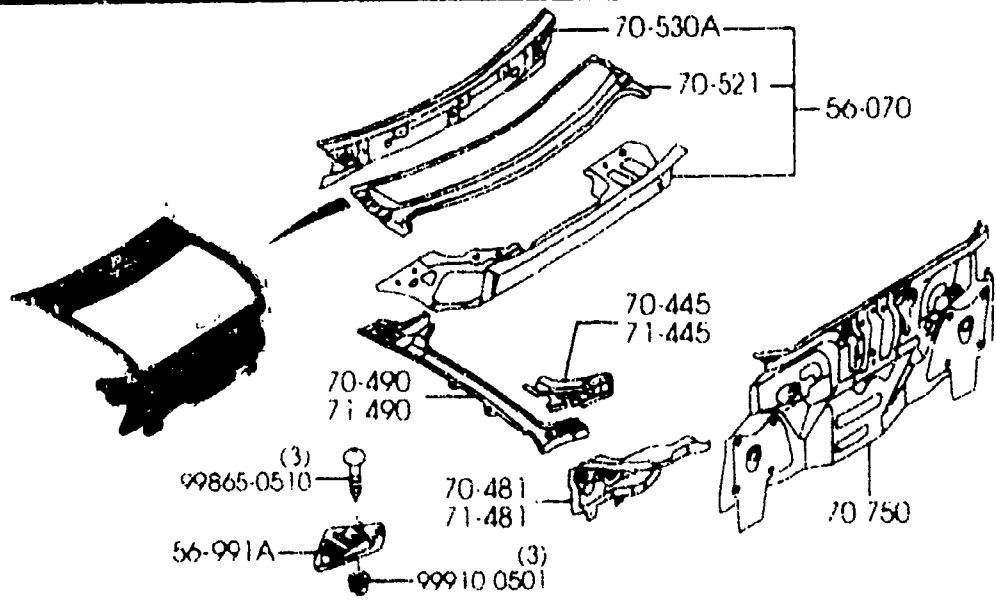
5340A -2 SIDE PANELS



| PART NO. | QTY | MODEL/RESTRICTION | MODEL/RESTRICTION | MODEL/RESTRICTION | FROM-TO |
|-------------------------|-----|---------------------------|---------------------------|-------------------|---------|
| 70-100B NA01-70-19XF | 1 | PANEL(R),INSIDE | PANNEAU INTERIEUR (D) | | |
| 70-11X NCY0-70-11X | 1 | PILLAR(R),REAR-INNER | PILIER(D),AR.-INT | | |
| 70-114 NC10-70-112A | 1 | PLATE(R),END | FLASQUE ARR (D) | | |
| 70-114A NC10-70-1AXA | 1 | JUNCTION(R),CORNER | RACCORD.(D),COIN-Q/PAN. | | |
| 70-117 NC10-70-117A | 1 | REINF.(R),QUARTER PANEL | RENFORT(D),PANNEAU QUART | | |
| 70-210A NA01-70-230C | 1 | PILLAR(R),HINGE | MONTANT (D), CHARNIERE | | |
| 70-220B N067-70-280 | 1 | REINF.(R),HINGE-UPPER | ARAMATURE CHANIERE(D)-SUP | | |
| 70-260 NC10-70-240A | 1 | PILLAR(R),FRT.-INNER | MONTANT (D), AVANT INTERI | | |
| 70-270 NC10-70-270D | 1 | PANEL(R),SIDE SILL | LONGERON EXT. (D) | | |
| 70-274 NA01-70-274 | 1 | GUSSET(R),SIDE SILL OUTER | GOUSSET(D),M.PIED LAT EXT | | |
| 70-276 NC10-70-272A | 1 | REINF.(R),SIDE SILL | RENFORT | | |
| 70-365 NA01-70-116D | 1 | REINF.(R),BELT LINE-C.PIL | RENFORT(D),C.PIL | | |
| 70-365Z NA01-71-116F | 1 | REINF.(L),BELT LINE-C.PIL | RENFORT(G),C.PIL | | |
| 70-390B NC10-70-460B | 1 | REINF.(R),STRIKER | RENFORT(D),GACHE | | |

5340A SIDE PANELS

5340A -3 SIDE PANELS



| PART NO. | QTY | MODEL/RESTRICTION | MODEL/RESTRICTION | MODEL/RESTRICTION | FROM-TO |
|-------------------------|-----|-------------------------------|-------------------------------|-------------------|---------|
| 70-405B NCY0-70-4A0 | 1 | PANEL(R),RR FENDER-L OWER | PANNEAU(D),PARE-CHOC S AR | | |
| 70-445 NC10-70-4A5B | 1 | GUSSET(R),REAR FENDE R-RR | GOUSSET(D),GARDE BOU E AR | | |
| 70-481 NC10-70-481B | 1 | PLATE(R),CORNER | PLAQUE DE COIN(D) | | |
| 70-490 NC10-70-440A | 1 | RAIL(R),RAIN-REAR | GOUTTIERE ARR.(D) | | |
| 70-521 NA01-70-521B | 1 | PANEL,REAR DECK | PANNEAU,COUVERTURE A R | | |
| 70-530A NA01-70-530D | 1 | MEMBER,REAR DECK | MEMBRE,COUVERTURE AR | | |
| 70-615A B092-70-070A | 2 | BRACKET,FENDER | SUPPORT | | |
| 70-640 NB3B-70-640A | 1 | HEADER,FRONT | RENFORT,AVT. | | |
| 70-650B NA01-70-650 | 1 | HEADER,FRONT-UPPER | COLLECTEUR,AV.-SUP. | | |
| 70-670 N067-70-670 | 1 | PLATE(R),CLOSING-QTR PANEL | PLAJUE(D),FERMET.-PA N.QRT | | |
| 70-750 NC10-70-750E | 1 | PANEL,REAR END | JUPE ARRIERE | | |
| 71-020 N067-71-020 | 1 | PANEL(L),COWL SIDE | ARMATURE DE COTE (G) | | |
| 71-023A N067-71-244 | 1 | REINF(L),F.PILLAR | RENFORT(G),PILIER AV | | |
| 71-100 N067-71-100 | 1 | PANEL(L),QUARTER | MONTANT (G) ARR | | |

AUNA08

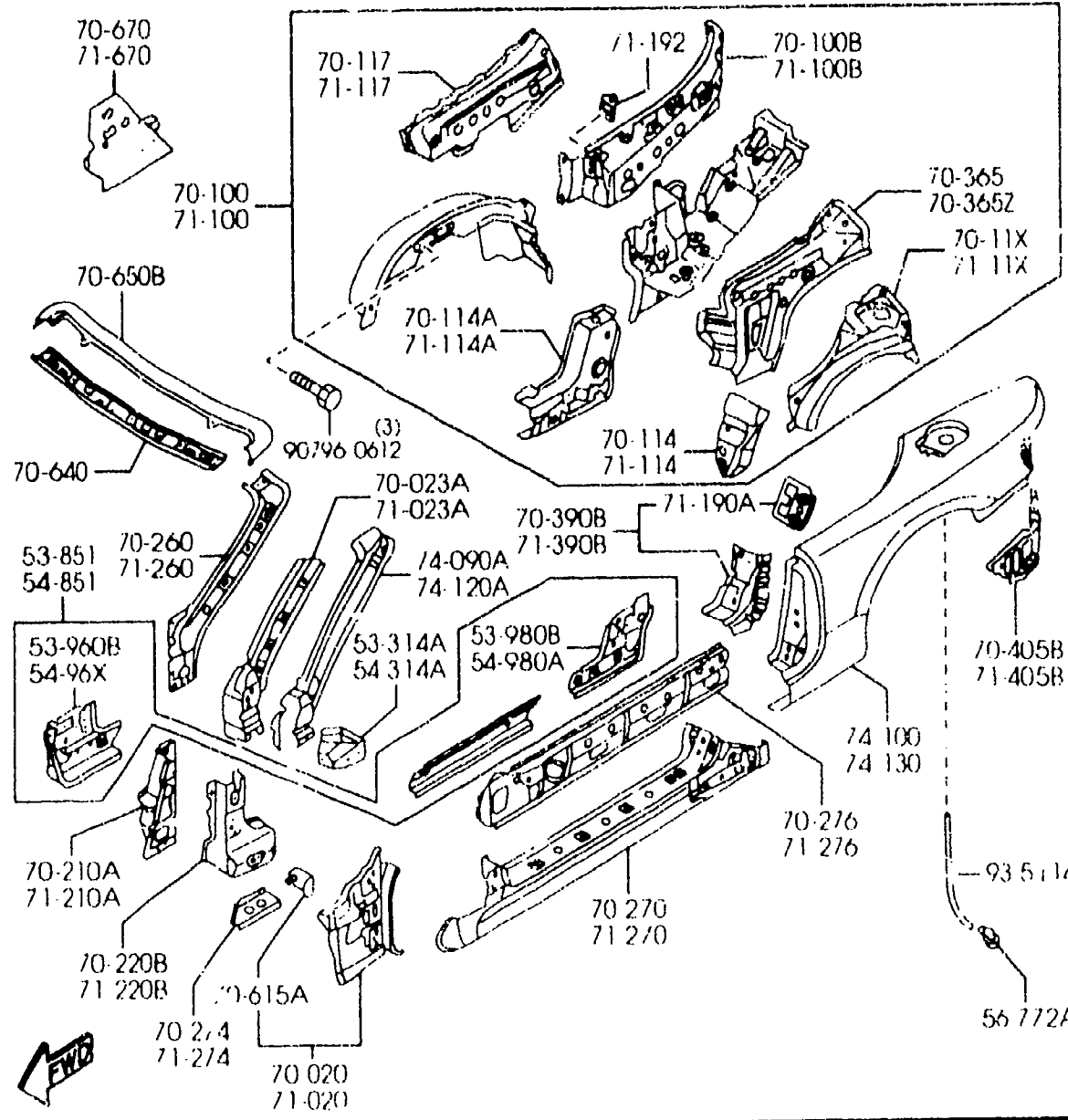
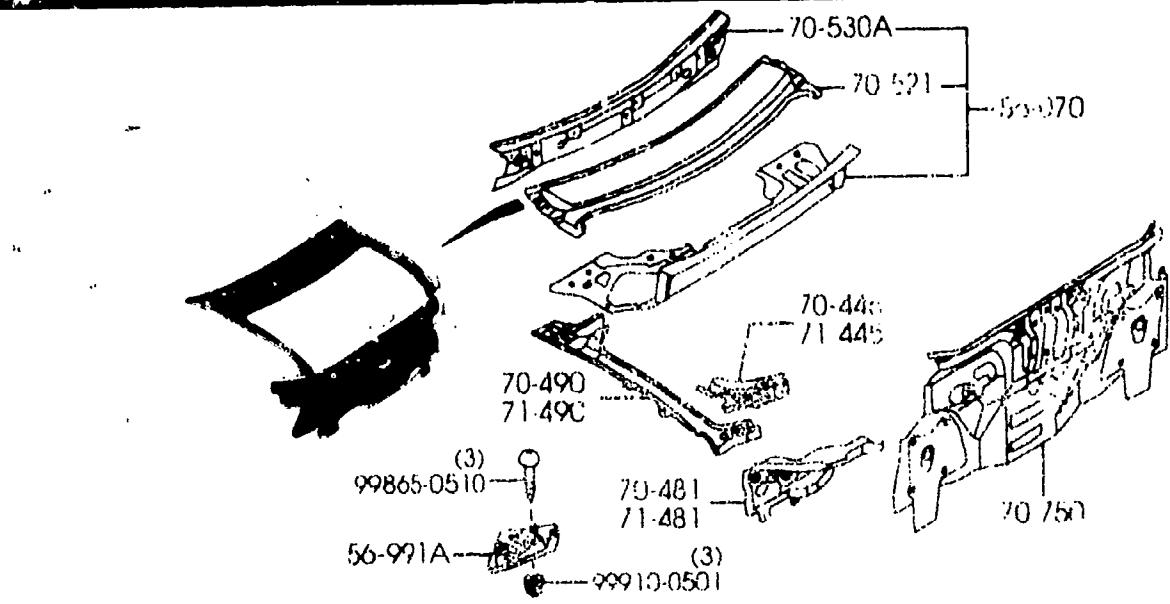
CAT. AUNA08-04

ZU01-12

2-H-7

5340A SIDE PANELS

5340A SIDE PANELS



| PART NO. | QTY | MODEL/RESTRICTION | MODEL/RESTRICTION | MODEL/RESTRICTION | FROM-TO |
|-------------------------|-----|----------------------------|------------------------------|-------------------|---------|
| 71-190A NA01-71-190A | 1 | PANEL(L), INSIDE | PANNEAU INTERIEURE (G) | | |
| 71-11X NCY0-71-11X | 1 | PILLAR(L), REAR INNER | PILIER(G), INT AR.-AR | | |
| 71-114 NC10-71-112A | 2 | PLATE(L), END | PLAQUE (G) | | |
| 71-114A NC10-71-1AXA | 1 | JUNCTION(L), CORNER | RACCORD (G), COIN-Q/P AN. | | |
| 71-117 NC10-71-117A | 1 | REINF.(L), QUARTER PANEL | RENFORT(G), PANNEAU QUART | | |
| 71-190A GE4T-70-46X | 2 | PLATE, NUT | PLAQUE, ECROU | | |
| 71-192 NA01-71-192 | 2 | BRKT, CAP QUARTER PANEL | SUPPORT, CAPOT-PANNEAU QUART | | |
| 71-210A NA01-71-210C | 1 | PILLAR(L), HINGE | MONTANT DE CHARNIERE | | |
| 71-220B NG67-71-280 | 1 | REINF(L), HINGE-UPPER | ARMATURE CHARNIERE(G) SUP | | |
| 71-260 NC10-71-240A | 1 | PILLAR(L), FRT.-INNER | MONTANT INTERIEUR (G) AV | | |
| 71-270 NC10-71-270D | 1 | PANEL(L), SIDE SILL | PANNEAU(G), SEUIL LATERALE | | |
| 71-274 NA01-71-274 | 1 | GUSSET(L), SIDE SILL OUTER | GOUSSET(G), M. PIED LAT EXT | | |
| 71-276 NC10-71-272A | 1 | REINF.(L), SIDE SILL | RENFORT | | |
| 71-390B NC10-71-460B | 1 | REINF.(L), STRIKER | RENFORT(G), GACHE | | |

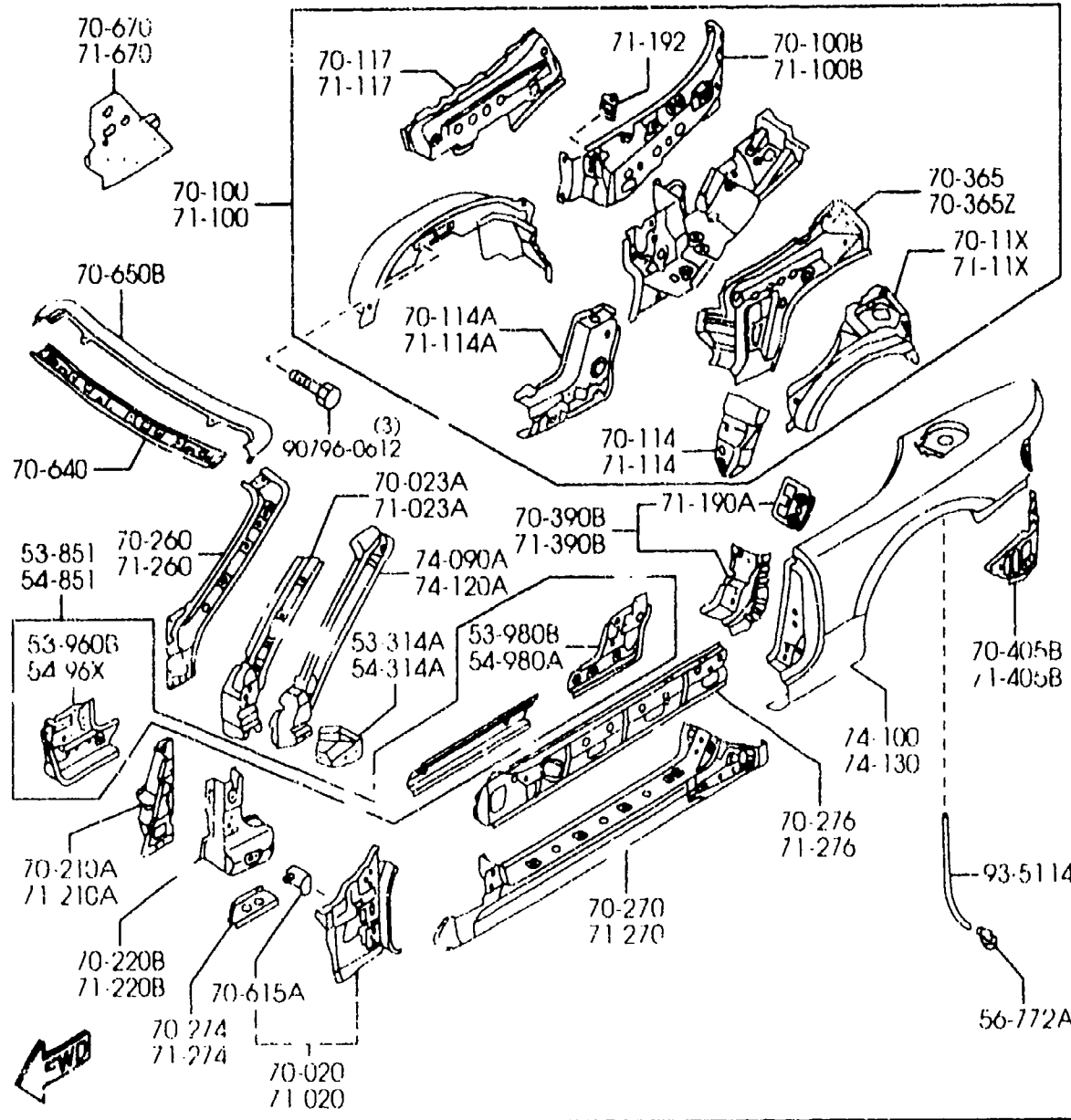
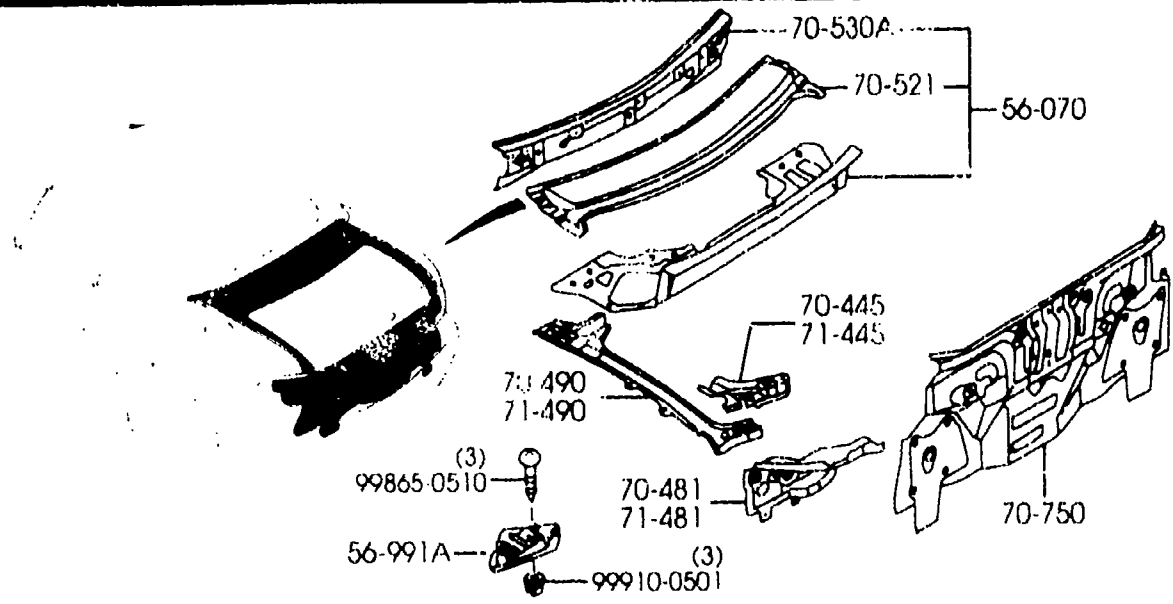
AUNA08

CAT. AUNA08-04

2001-12

5340A SIDE PANELS

5340A -5 * SIDE PANELS



| PART NO. | QTY | MODEL/RESTRICTION | MODEL/RESTRICTION | MODEL/RESTRICTION | FROM-10 |
|-------------------------|-----|-------------------------------|--|-------------------|---------|
| 71-405B NC10-71-4A1B | 1 | PANEL(L),RR FENDER-L OWER | PANNEAU(G),P.CHOCS A R-INF | | |
| 71-445 NC10-71-4A5B | 1 | GUSSET(L),REAR FENDE R-RR | GOUSSET(G),GARDE BOU E AR | | |
| 71-481 NC10-71-481B | 1 | PLATE(L),CORNER | PLAQUE COIN(G) | | |
| 71-490 NC10-71-440A | 1 | RAIL(L),RAIN-REAR | GOUTTIERE ARR.(G) | | |
| 71-670 N067-71-670 | 1 | PLATE(L),CLOSING-QTR PANEL | PLAQUE(G),FERMET.-PA N.QRT | | |
| 74-090A N067-70-210 | 1 | PILLAR(R),FRONT-OUT. | MONTANT EXT,AV(D) | | |
| 74-100 NCY0-70-400A | 1 | PANEL(R),FENDER-REAR | AILE ARRIERE (D) | | |
| 74-120A N067-71-210 | 1 | PILLAR(L),FRONT-OUT. | MONTANT EXT,AV(G) | | |
| 74-130 NCY0-71-400A | 1 | PANEL(L),FENDER-REAR | AILE ARRIERE (G) | | |
| 93-5114 99351-14999 | 1 | HOSE L=1M CUT IT TO USE | FLEXIBLE ESSENCE L=1M CUT IT TO USE | | |

AUNA08

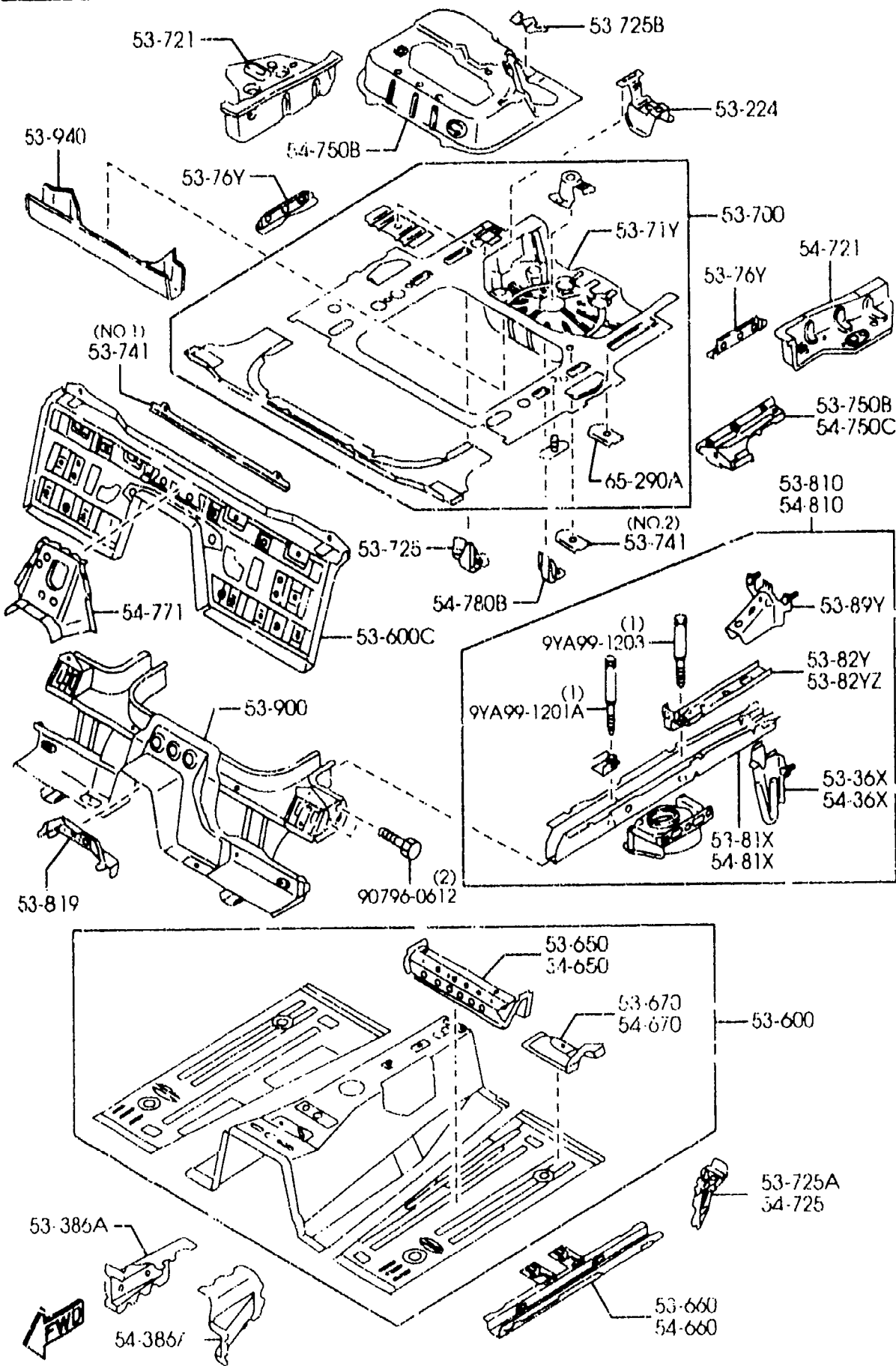
CAT. AUNA08-04

2001-12

2-07

5370A FLOOR PANELS

5370A -1 FLOOR PANELS



| PART NO. | QTY | MODEL/RESTRICTION | MODEL/RESTRICTION | MODEL/RESTRICTION | FROM-TO |
|------------------|-----|-------------------------------|----------------------------|-------------------|---------|
| 53-224 | | BRACKET, JACK | SUPPORT CRIC | | |
| H067-53-79XB | 1 | | | | |
| 53-36X | | BRACKET(R), TIE DOWN HOOK | SUPPORT(D), CROCH. PO SOL | | |
| NC10-53-890A | 1 | | | | |
| 53-386A | | JUNCTION(R) | JONCTION(D) | | |
| NC10-53-482B | 1 | | | | |
| 53-600 | | PAN, FLOOR-FRONT | PLANCHER AVANT | | |
| NC72-53-600 | 1 | | | | |
| 53-600C | | PAN, FLOOR-CENTER | CUVETTE CENTRALE, PLANCHER | | |
| N067-53-720A | 1 | | | | |
| 53-650 | | MEMBER NO. 2(R), CROSS-FLOOR | TRAVERSE NO. 2(D), PLANCH. | | |
| HA01-53-650A | 1 | | | | |
| 53-660 | | FRAME 'B'(R), FRONT | CADRE AR(D), | | |
| N067-53-660 | 1 | | | | |
| AN(N067-53-660A) | | | | | |
| N067-53-660A | 1 | | | | |
| 53-670 | | BRKT(R), SEAT-F. FLOOR PAN | SUPPORT(D), SIEGE-BUTEE P. | | |
| NA01-53-670A | 1 | | | | |
| 53-700 | | PAN, FLOOR-REAR | PLANCHER ARRIERE | | |
| MCY0-53-710A | 1 | | | | |
| 53-71Y | | PAN, FLOOR-REAR | PLANCHER ARRIERE | | |
| N067-53-71YA | 1 | | | | |
| 53-721 | | PANEL(R), SIDE-FLOOR | PANNEAU LATERAL(D), | | |
| NC10-53-741B | 1 | | | | |
| 53-725 | | BRACKET | ATTACHE | | |
| NC10-53-760C | 1 | | | | |
| 53-725A | | GUSSET NO. 3(R), C. FLOOR PAN | GUSSET NO. 3(D), BUTEE PLN | | |
| NA01-53-725A | 1 | | | | |

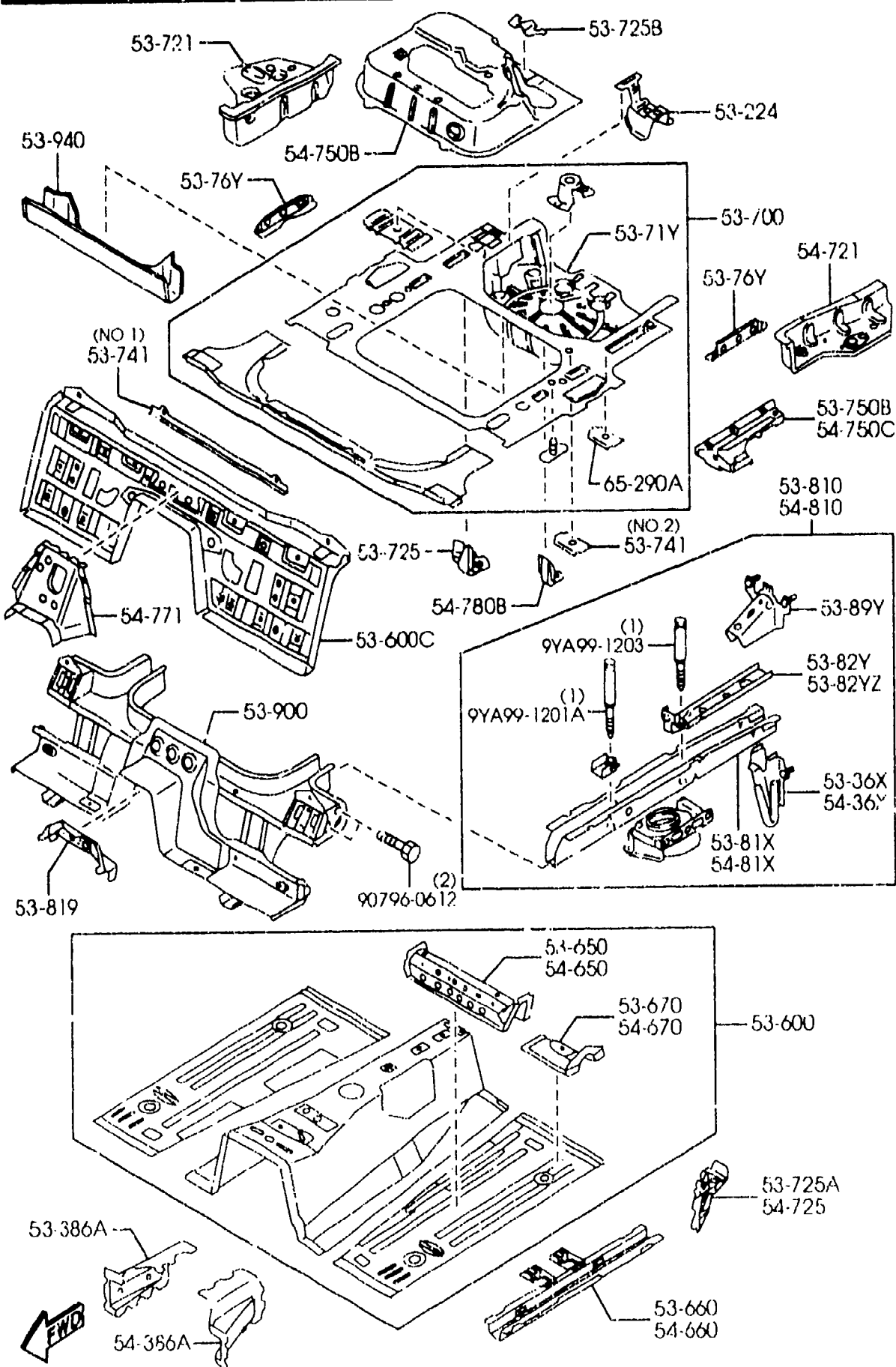
0A06 NB35**204932

-0A06

0A06-

2-K-7

5370A FLOOR PANELS



537JA -2 FLOOR PANELS

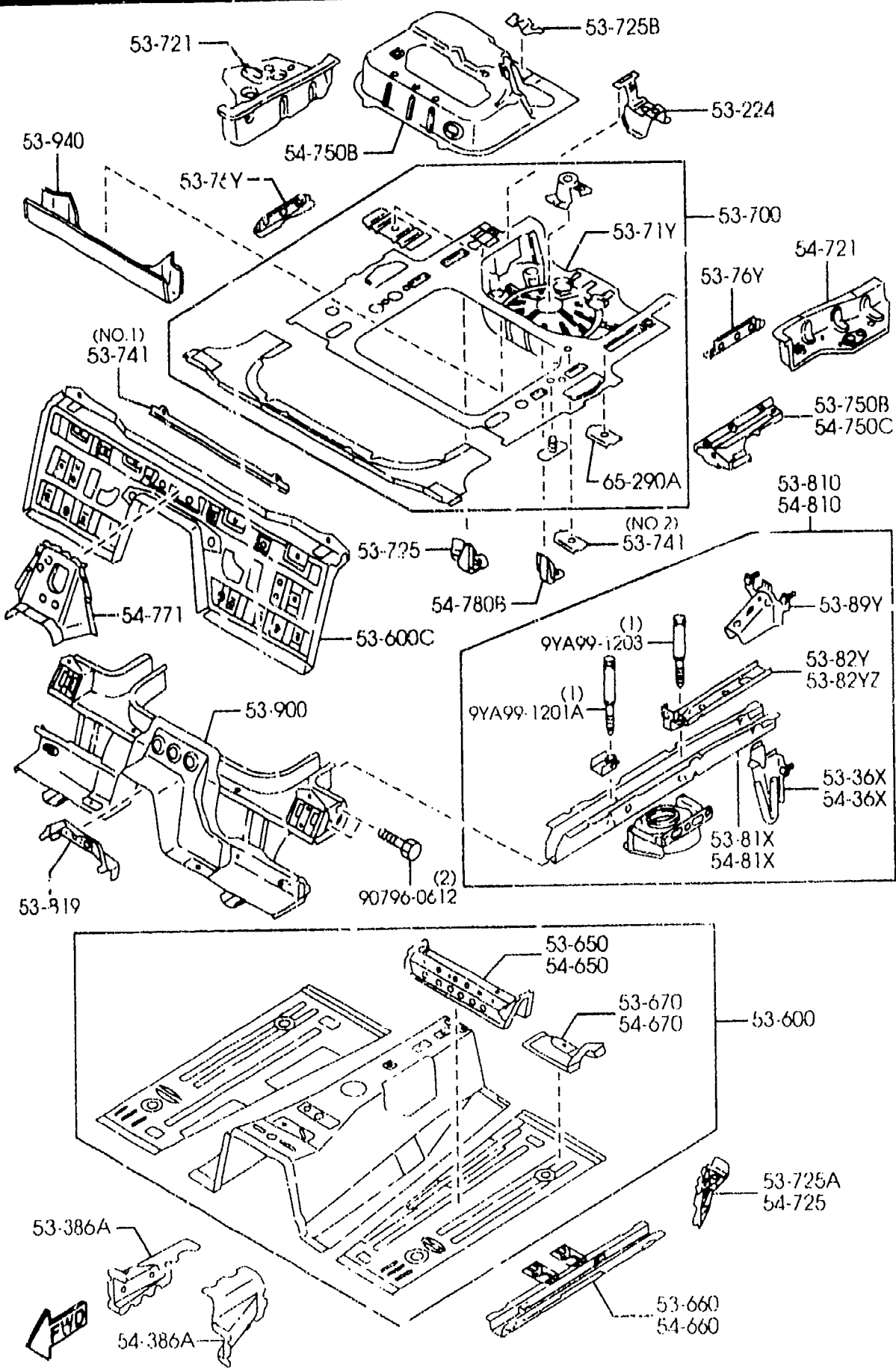
| PART NO. | QTY | MODEL/RESTRICTION | MODEL/RESTRICTION | MODEL/RESTRICTION | FROM-TO |
|--------------|-----|-----------------------------|----------------------------|-------------------|---------|
| 53-725B | | REINFORCEMENT | RENFORT | | |
| NC10-53-718 | 1 | | | | |
| 53-741 | | REINFORCEMENT | RENFORT | | |
| NC10-53-726 | 1 | (ILLUST. NO.1) | | | |
| S131-53-990 | 1 | (ILLUST. NO.2) | | | |
| 53-750B | | PLATE(R),SIDE-REAR FLOOR | PLAQUE(D),COTE-PLANC AR | | |
| NA01-53-750B | 1 | | | | |
| 53-76Y | | PLATE,NUT-TRUNK FLOOR PAN | PLAQUE,ECROU-PLAN. C OFFRE | | |
| NA01-53-760B | 2 | | | | |
| 53-81X | | FRAME(R),REAR SIDE-UPPER | CADRE(D),AR LAT.-SUP | | |
| NC10-53-811A | 1 | | | | |
| 53-810 | | FRAME(R),REAR SIDE | ARMATURE (D), COTE AR. | | |
| NC10-53-810F | 1 | | | | |
| 53-819 | | BRACKET,PARKING CABLE-FLOOR | SUPPORT,CABLE STATION.-PL | | |
| NA01-53-819 | 1 | | | | |
| 53-82Y | | REINF(R),REAR FRAME | RENFORT(D),CADRE AR | | |
| NC10-53-82Z | 1 | | | | |
| 53-82YZ | | REINF(L),REAR FRAME | RENFORT(G),CADRE AR | | |
| NC10-54-82Z | 1 | | | | |
| 53-89Y | | BRKT(R),RR BUMPER-LOWER | CUNSOLE(D),P-CHOCS AR-INF | | |
| NC10-53-89XA | 2 | | | | |
| 53-900 | | MEMBER NO.3,CROSS | TRAVERSE NO 3 | | |
| NC72-53-900A | 1 | | | | |
| 53-940 | | MEMBER NO.4,CROSS | TRAVERSE NO 4 | | |
| NC10-53-931 | 1 | | | | |
| 54-36X | | BRACKET(L),TIE DOWN HOOK | SUPPORT(G),CROCH. PO SOL | | |
| NC10-54-890A | 1 | | | | |

ALINA08

CAT. AUNA08-04

2001-12

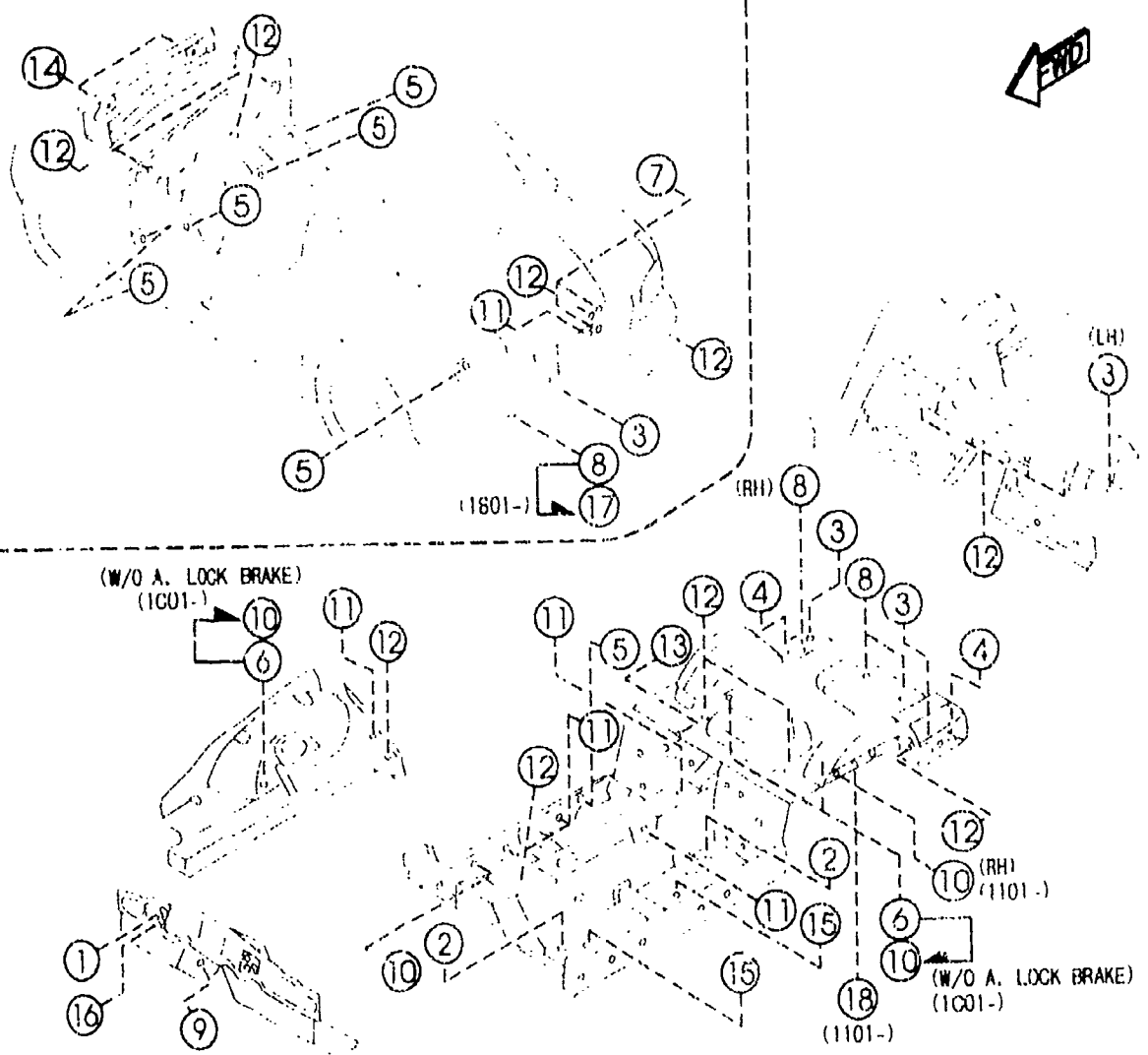
5370A FLOOR PANELS



| PART NO. | QTY | MODEL/RESTRICTION | MODEL/RESTRICTION | MODEL/RESTRICTION | FROM-TO |
|---------------------------------|-----|-------------------------------|----------------------------|-------------------|---------|
| NC10-54-482B | 1 | JUNCTION(L) | JONCTION(G) | | |
| NA01-54-650A | 1 | MEMBER NO.2(L),CROSS-FLOOR | TRAVERSE NO.2(G),PLANC. | | |
| NO67-54-660 AN(NO67-54-660A) | 1 | FRAME'B'(L),FRONT | CADRE AR(G), | | |
| NO67-54-660A | 1 | | | | |
| NA01-54-670A | 1 | BRKT(L),SEAT-F.FLOOR PAN | SUPPORT(G),SIEGE-BUTEE P. | | |
| NC10-54-741A | 1 | PANEL(L),SIDE-FLOOR | PANNEAU LATERAL(G), | | |
| NA01-54-725A | 1 | GUSSET NO.3(L),C.FLOOR OR PAN | GOUSSET NO.3(G),BUTEE PLA | | |
| NO67-53-71X | 1 | MEMBER NO.3,UPPER-FLOOR | MEMBRE NO.3,SUP.-PLANC. AV | | |
| NA01-54-750B | 1 | PLATE(L),SIDE-REAR FLOOR | PLAQUE(G),COTE-PLANC. AR | | |
| NO67-54-770A | 1 | GUSSET | GOUSSET | | |
| NA01-54-780 | 1 | BRKT(L),FUEL TANK'B' | CONSOLE(G),RESERV. CARB.B | | |
| NC10-54-811A | 1 | FRAME(L),REAR SIDE-UPPER | CADRE(G),AR LAT.-SUPER | | |
| NC10-54-810F | 1 | FRAME(L),REAR SIDE | ARMATURE (G), COTE AR. | | |
| 1353-65-190 | 1 | BRACKET | SUPPORT | | |

0A06 NB35** -204932

5380A FLOOR ATTACHMENTS (HOLE COVERS)



- | | |
|-----------|-----------|
| ① 53-134B | ⑩ 56-241B |
| (NC.1) | ⑪ 56-241J |
| ② 56-051 | ⑫ 56-242 |
| (NO.2) | ⑬ 56-615I |
| ③ 56-051 | ⑭ 56-615M |
| ④ 56-051B | ⑮ 56-971 |
| (NO.1) | ⑯ 61-031 |
| ⑤ 56-052 | ⑰ 56-055A |
| (NO.2) | ⑱ 51-051C |
| ⑥ 56-052 | |
| ⑦ 56-057A | |
| ⑧ 56-056 | |
| ⑨ 56-241 | |

5380A -1 FLOOR ATTACHMENTS (HOLE COVERS)

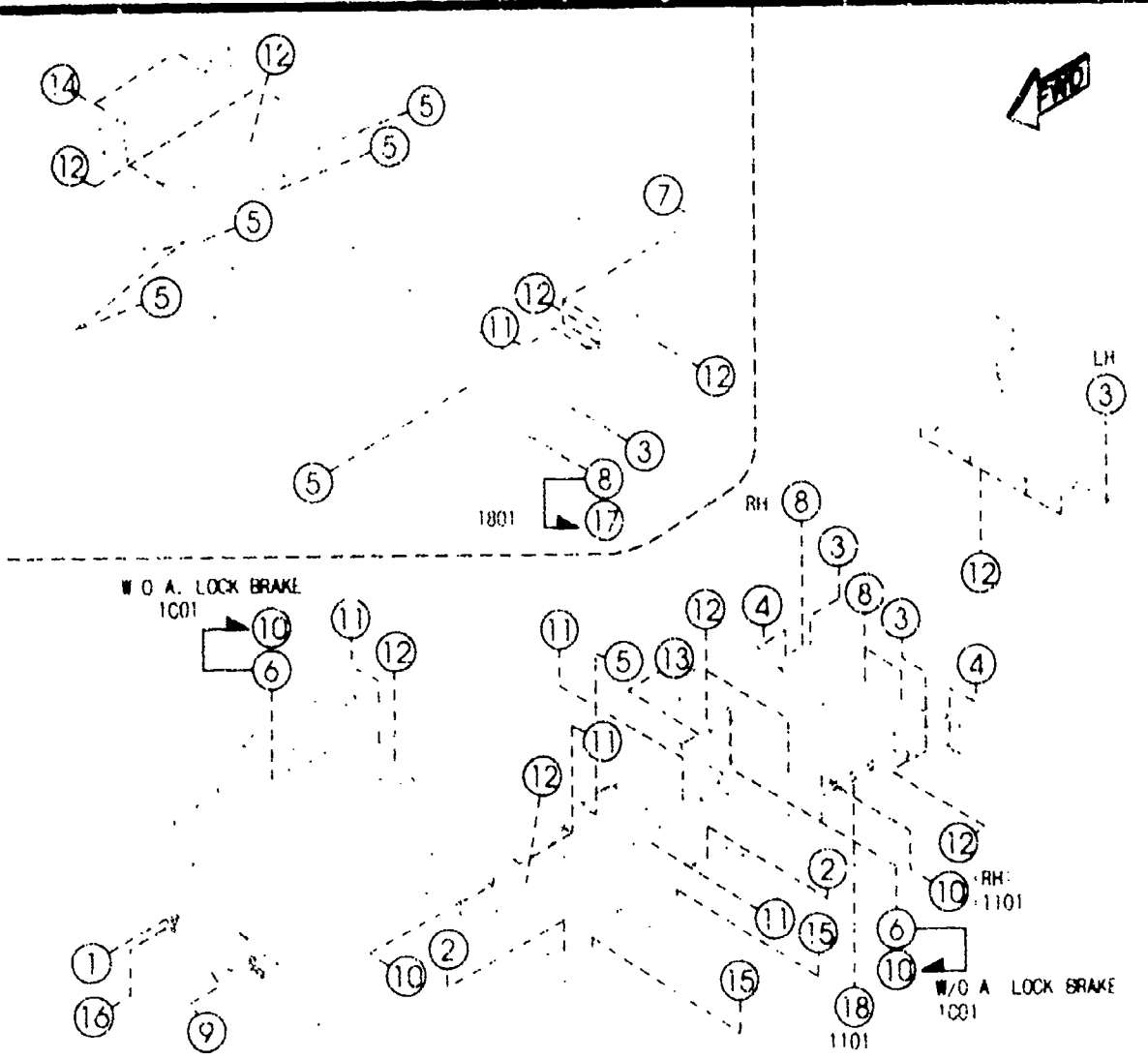
| PART NO. | QTY | MODEL/RESTRICTION | MODEL/RESTRICTION | MODEL/RESTRICTION | FROM-TO |
|-------------|-----|---------------------|--------------------|-------------------|-----------|
| 51-051C | 1 | PLUG,HOLE | BOUCHON D'ORIFICE | | 1101- |
| BR70-51-264 | | | | | |
| 53-134B | 1 | RUBBER,DUST SEAL | CAOUTCHOUC, | | |
| 0187-53-134 | | (W/O AIR CON.) | | | |
| 56-051 | 4 | COVER,HOLE | BOUCHON | | |
| 1C11-56-051 | | (ILLUST. NO.1) | | | |
| BC1D-56-052 | 4 | (ILLUST. NO.2) | | | |
| 56-051B | 2 | COVER,HOLE | COUVERCLE,TROU | | |
| GAS 56-051 | | | | | |
| 56-052 | 8 | PLUG,DRAIN | BOUCHON DE VIDANGE | | |
| B092-56-052 | | D=12MM | D=12MM | | |
| FB01-56-056 | 4 | (ILLUST. NO.1) | | | -1C01 |
| | | (ILLUST. NO.2) | (S/SYST ANTIBLOC) | | |
| 56-055A | 2 | GROMMET | ANNEAU | | 1801- |
| A001-56-053 | | | | | |
| 56-056 | 5 | COVER,HOLE | COUVERCLE,TROU | | -1801 |
| T001-56-053 | | | | | |
| T001-56-053 | 3 | | | | 1801- |
| 56-057A | 2 | GROMMET,SCREW | ANNEAU VIS | | |
| NC10-56-057 | | | | | |
| 56-241 | 1 | PLUG,DRAIN | BOUCHON DE VIDANGE | | |
| 0118-56-241 | | (W/O AIR CON.) | | | |
| 56-241B | 4 | PLUG | BOUCHON | | -1101 |
| B001-56-051 | | | | | |
| B001-56-051 | 5 | (W/A. LOCK BRAKE) | (SYST ANTIBLOC) | | 1101- |
| B001-56-051 | 5 | (W/O A. LOCK BRAKE) | (S/SYST ANTIBLOC) | | 1101-1C01 |
| B001-56-051 | 9 | (W/O A. LOCK BRAKE) | (S/SYST ANTIBLOC) | | 1C01- |
| 56-241J | 9 | PLUG,DRAIN | BOUC. V DE VIDANGE | | |
| 8477-56-241 | | | | | |

1101 NB35**-208709
 1801 NB35**-220738
 1C01 NB35**-223944

2-N-7

5380A FLOOR ATTACHMENTS (HOLE COVERS)

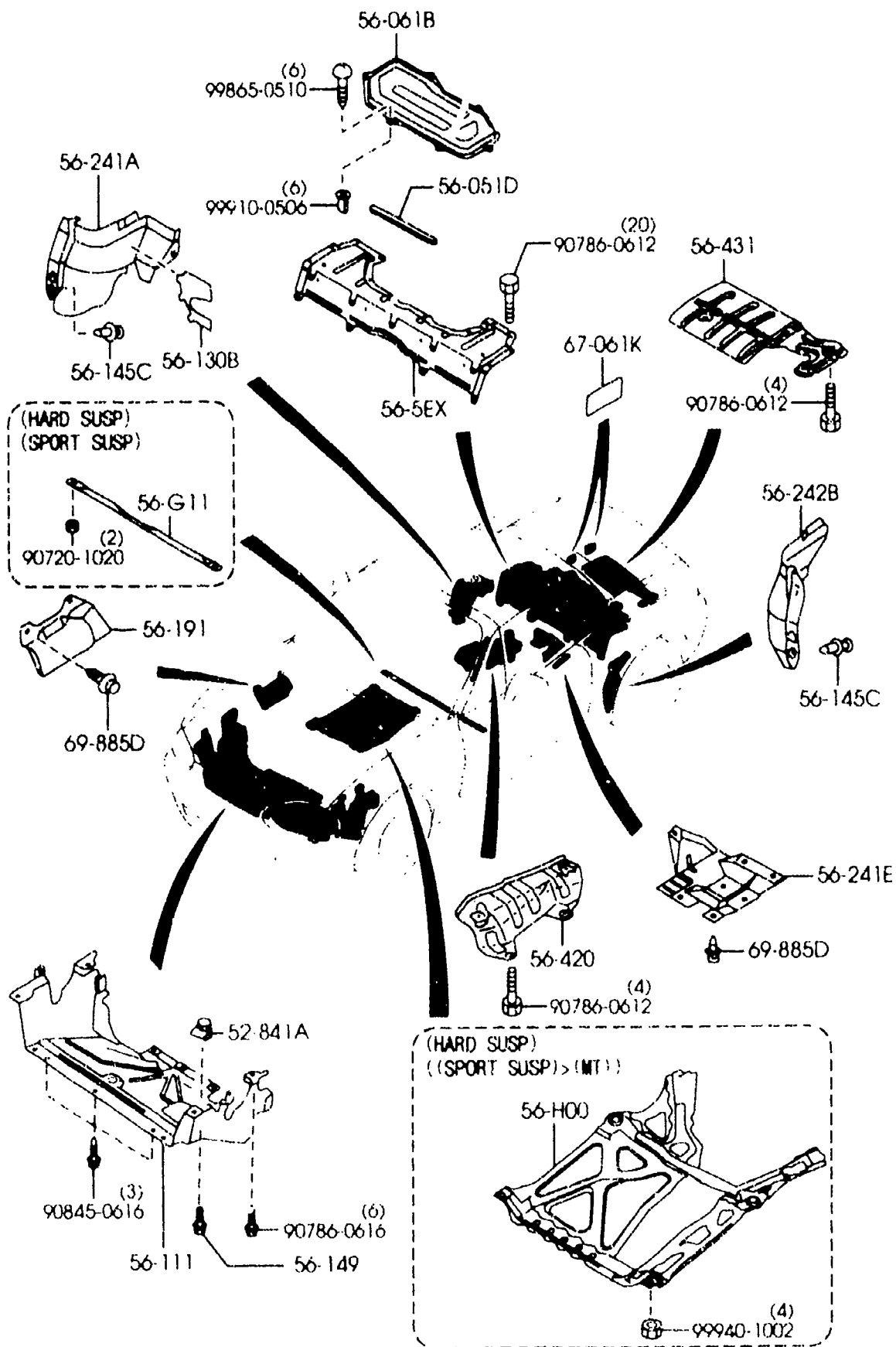
5380A -2 * FLOOR ATTACHMENTS (HOLE COVERS)



- | | | | |
|---------------------|--|-----------|--|
| ① 53-134B | | ⑩ 56-241B | |
| (NO. 1) ② 56-051 | | ⑪ 56-241J | |
| (NO. 2) ③ 56-051 | | ⑫ 56-242 | |
| ④ 56-051B | | ⑬ 56-615F | |
| (NO. 1) ⑤ 56-052 | | ⑭ 56-615M | |
| (NO. 2) ⑥ 56-052 | | ⑮ 56-971 | |
| ⑦ 56-057A | | ⑯ 61-031 | |
| ⑧ 56-056 | | ⑰ 56-055A | |
| ⑨ 56-241 | | ⑱ 51-051C | |

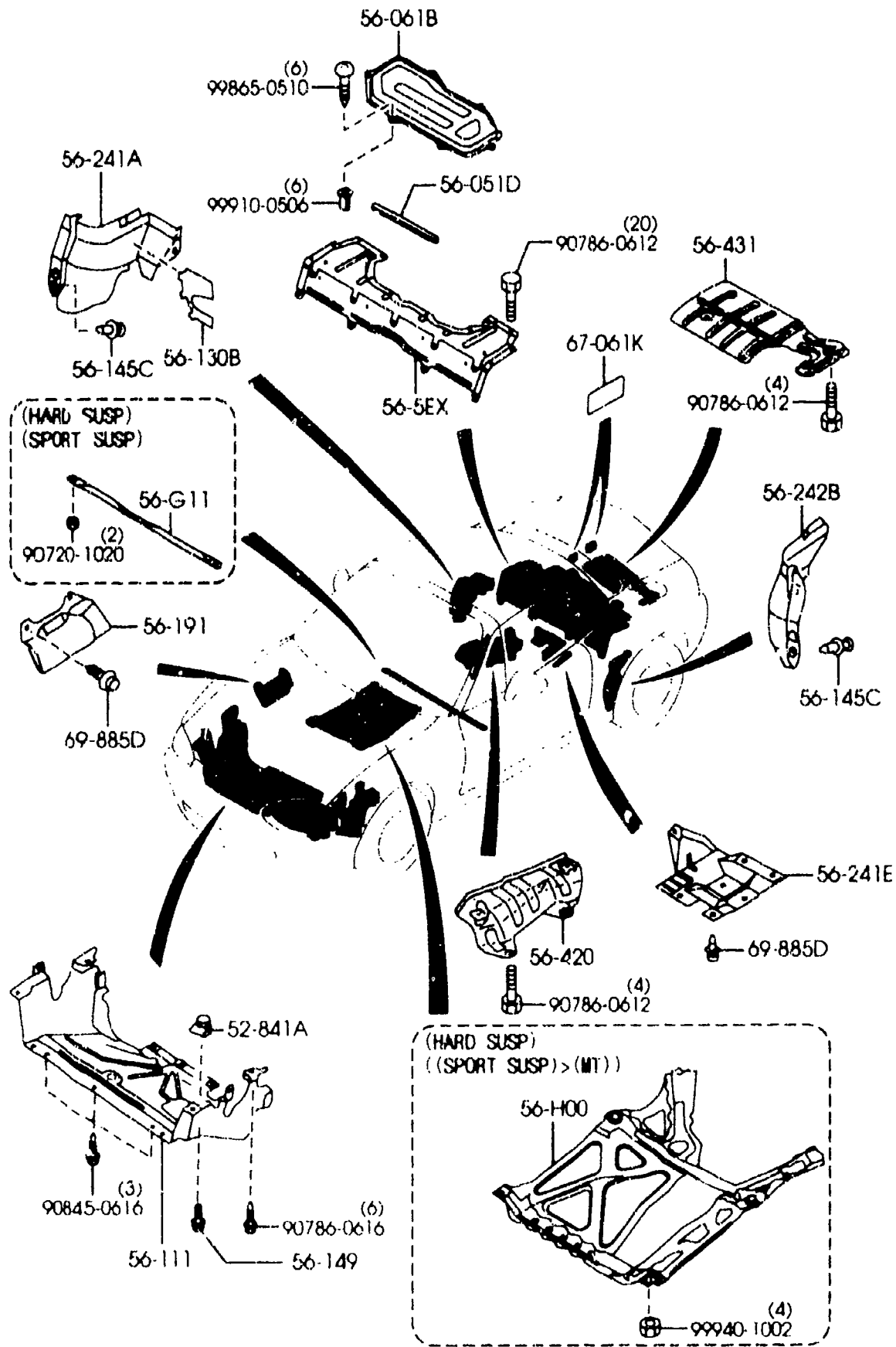
| PART NO. | QTY | MODEL/RESTRICTION | MODEL/RESTRICTION | MODEL/RESTRICTION | FROM-TO |
|--------------|------------------|-------------------|--------------------|-------------------|---------|
| 56-242 | | PLUG, DRAIN | BOUCHON DE VIDANGE | | |
| 0115-56-242B | 15 | | | | |
| 56-615F | | PLUG, DRAIN | BOUCHON DE VIDANGE | | |
| 0208-56-615 | 2 | | | | |
| 56-615M | | PLUG, DRAIN | BOUCHON DE VIDANGE | | |
| NA01-56-051 | 2 | | | | |
| 56-971 | | COVER, HOLE | BOUCHON | | |
| 0866-56-971 | 4 | | | | |
| 61-031 | | PLUG, HOLE | BOUCHON D'ORIFICE | | |
| 1708-61-031 | 1 (W/O AIR CON.) | | | | |

5390A FLOOR ATTACHMENTS

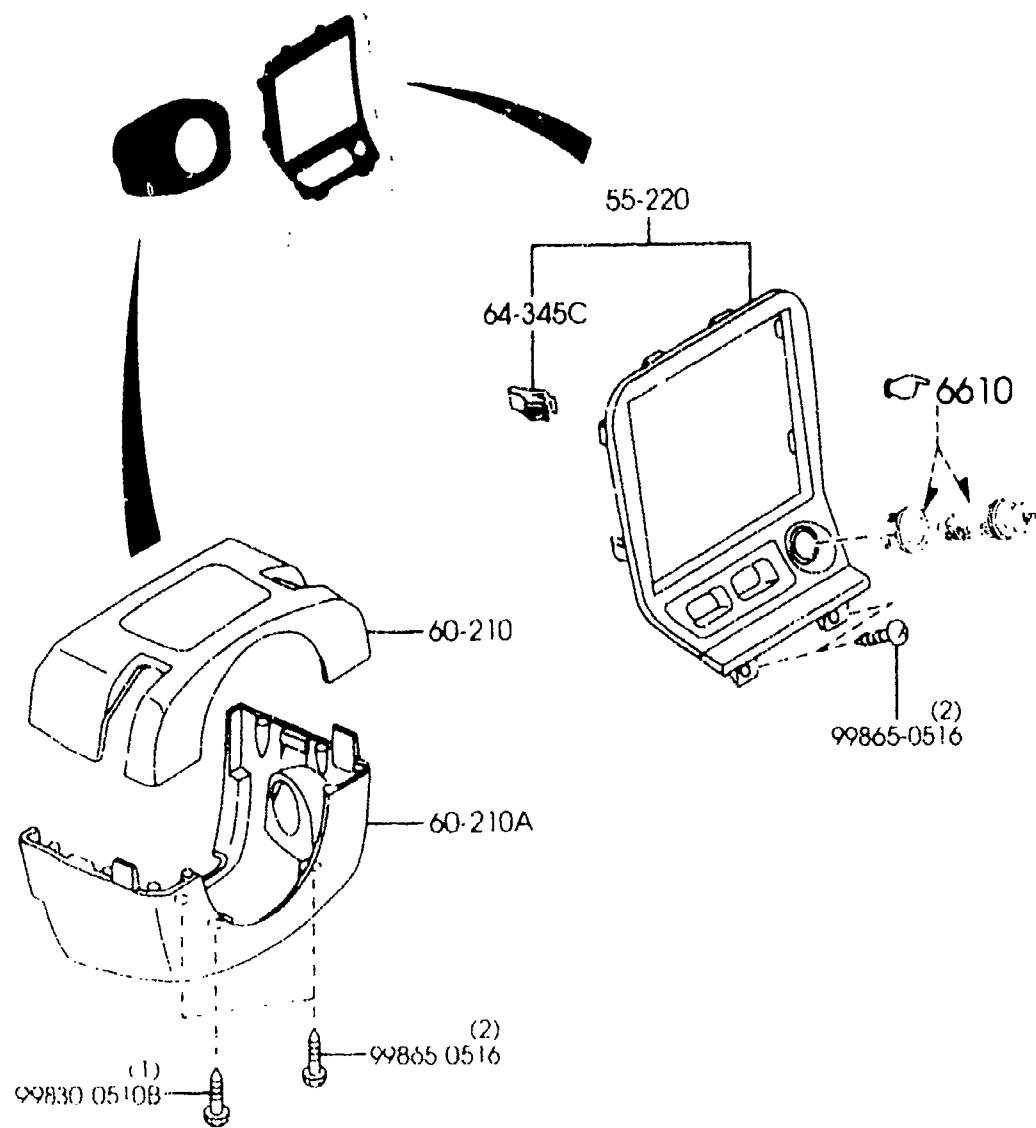


| PART NO. | QTY | MODEL/RESTRICTION | MODEL/RESTRICTION | MODEL/RESTRICTION | FROM-TO |
|--------------|-----|------------------------------------|---|-------------------|---------|
| 52-841A | | NUT, CLIP | ECROU | | |
| B455-56-135 | 1 | | | | |
| 56-G11 | | PLATE, BASE | PLATEAU, BASE | | |
| N067-56-G11A | 1 | (HARD SUSP) (SPORT SUSP) | (SUSP. FERM) (SUSP. SPORTIVE) | | |
| 56-H00 | | MEMBER(R), CROSS | MEMBRURE TRAVERSE(D) | | |
| N067-56-H10A | 1 | (HARD SUSP) ((SPORT SUSP)>(MT)) | (SUSP. FERM) ((SUSP. SPORTIVE)>(B.V.MANU)) | | |
| 56-051D | | RUBBER, SEAL | JOINT CAOUTCHOUC | | |
| NC10-56-062 | 1 | | | | |
| 56-061B | | COVER(R), SIDE-DECK | COUVERCLE(D), COTE-PO NT AV | | |
| NC10-56-061 | 1 | | | | |
| 56-111 | | COVER, UNDER | COUVERCLE, INF. | | |
| NA01-56-111F | 1 | | | | |
| 56-130B | | PLATE(R) | PLAQUE(D) | | |
| NC10-56-312 | 1 | | | | |
| 56-145C | | CLIP, MUD GUARD | ETRIER, GARDE BOUE | | |
| BC1D-56-145 | 13 | | | | |
| 56-149 | | SCREW, TAPPING-MUD GU ARD | VIS, SOUTIRAGE-GARDE BOUE | | |
| B455-56-149 | 1 | | | | |
| 56-191 | | SHIELD, SPLASH | BOUCLIER | | |
| NA01-56-112 | 1 | | | | |
| 56-241A | | SHIELD(R), SPLASH-REA R | TOLE GARDE-BOUE(D), A RR | | |
| NA01-56-311D | 1 | | | | |
| 56-241E | | SHIELD(R), SIGHT-R. F ENDER | PROTECTEUR(D), VUE-AI LE AR | | |
| NC72-56-241B | 1 | | | | |
| 56-242B | | SHIELD(L), SPLASH-REA R | TOLE GARDE-BOUE(G), A RR | | |
| NA01-56-321D | 1 | | | | |

5390A FLOOR ATTACHMENTS

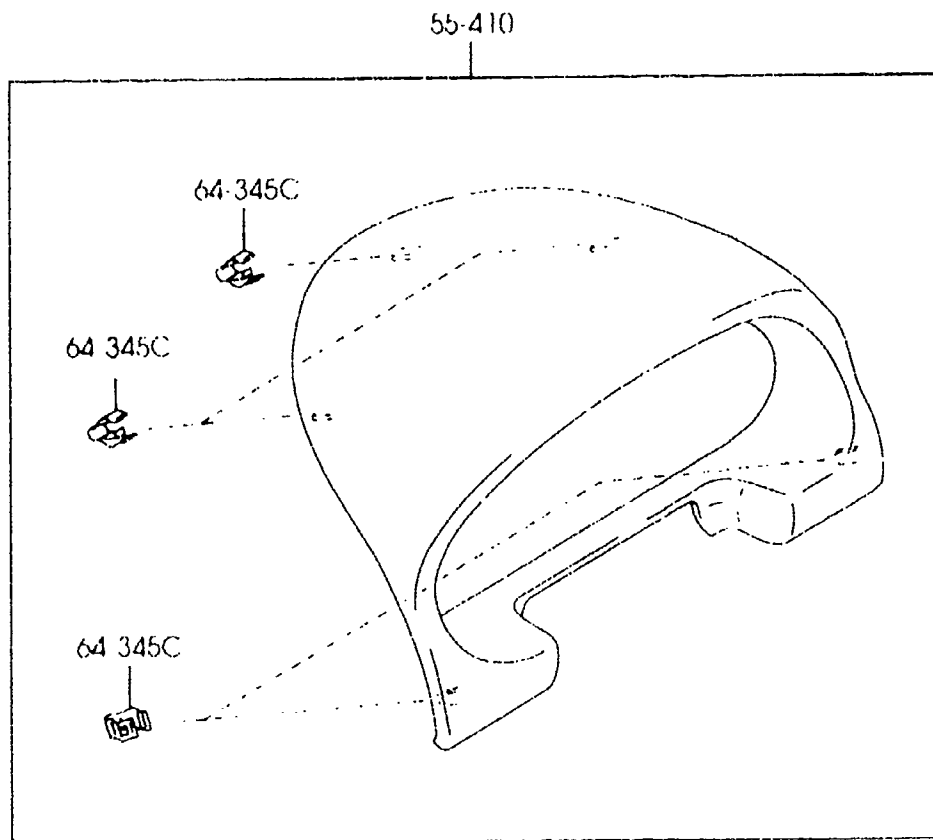


| PART NO. | QTY | MODEL/RESTRICTION | MODEL/RESTRICTION | MODEL/RESTRICTION | FROM-TO |
|--|--|-------------------|---|-------------------|---------|
| 56-420 N067-56-411B | 1 | INSULATOR, FRONT | ISOLANT AV | | |
| 56-431 NC10-56-451C | 1 | INSULATOR, HEAT | ISOLATEUR | | |
| 56-5EX N066-56-5EXB N067-56-5EXA | 1 (NOR. SUSP) 1 (HARD SUSP) 1 (SPORT SUSP) | BULKHEAD | PARI SEPARATION (SUSP. NRML) (SUSP. FERM) (SUSP. SPORTIVE) | | |
| 67-061K G001-67-061 | 2 | PAD, PROTECTOR | FIBRANKE, PROTECTEUR | | |
| 69-885D NA01-56-145 | 4 | FASTENER | AGRAFE | | |



| PART NO. | QTY | MODEL/RESTRICTION | MODEL/RESTRICTION | MODEL/RESTRICTION | FROM-TO |
|--------------|-----|--------------------|----------------------|-------------------|---------|
| 55-220 | | PANEL,CENTE: | MONTANT CENTRAL | | |
| NC10-55-210B | 1 | (STD PA | | | |
| NC76-55-210 | 1 | (WOOD PANEL, | | | |
| 60-210 | | COVER,COLUMN-UPPER | GAINE DE DIRECTION, | | |
| NC10-60-220 | 1 | | SUP. | | |
| 60-210A | | COVER,COLUMN-LOWER | GAINE COLONNE DIRECT | | |
| NC10-60-231A | 1 | | ION | | |
| 64-345C | | SPRING,UPPER PLATE | RESSORT,PLAQUE SUP | | |
| J001-64-345 | 4 | | | | -1401 |
| B30D-64-345 | 4 | | | | 1401- |

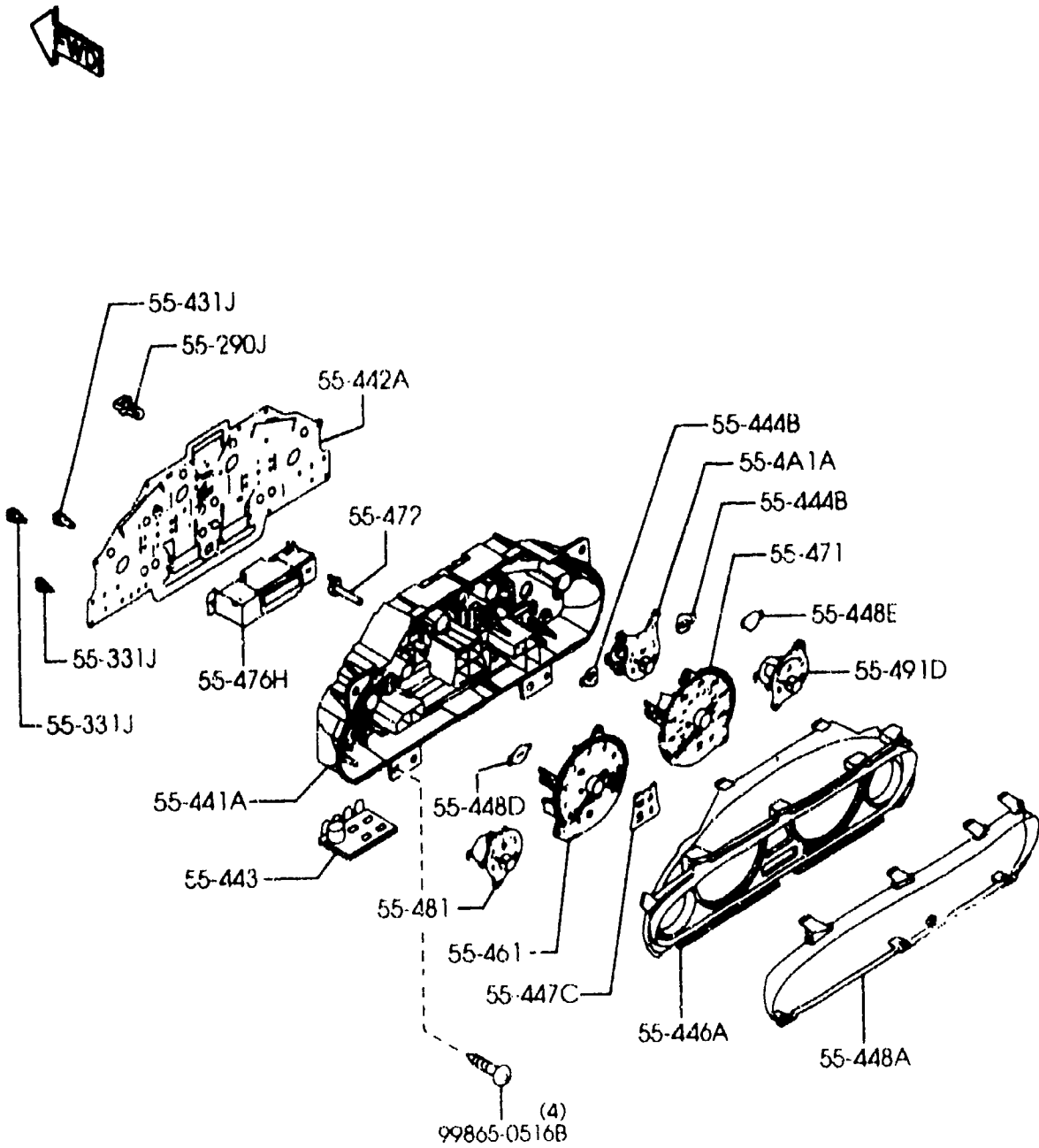
1401 NB35**-216419



| PART NO. | QTY | MODEL/RESTRICTION | MODEL/RESTRICTION | MODEL/RESTRICTION | FROM-TO |
|--|-----|--------------------|--------------------|-------------------|---------|
| +-----+ 55-410 +-----+ NC10-55-420B | 1 | HOOD,METER | VISIÈRE,COMPTEUR | | |
| +-----+ 64-345C +-----+ J001-64-345 | 5 | SPRING,UPPER PLATE | RESSORT,PLAQUE SUP | | |

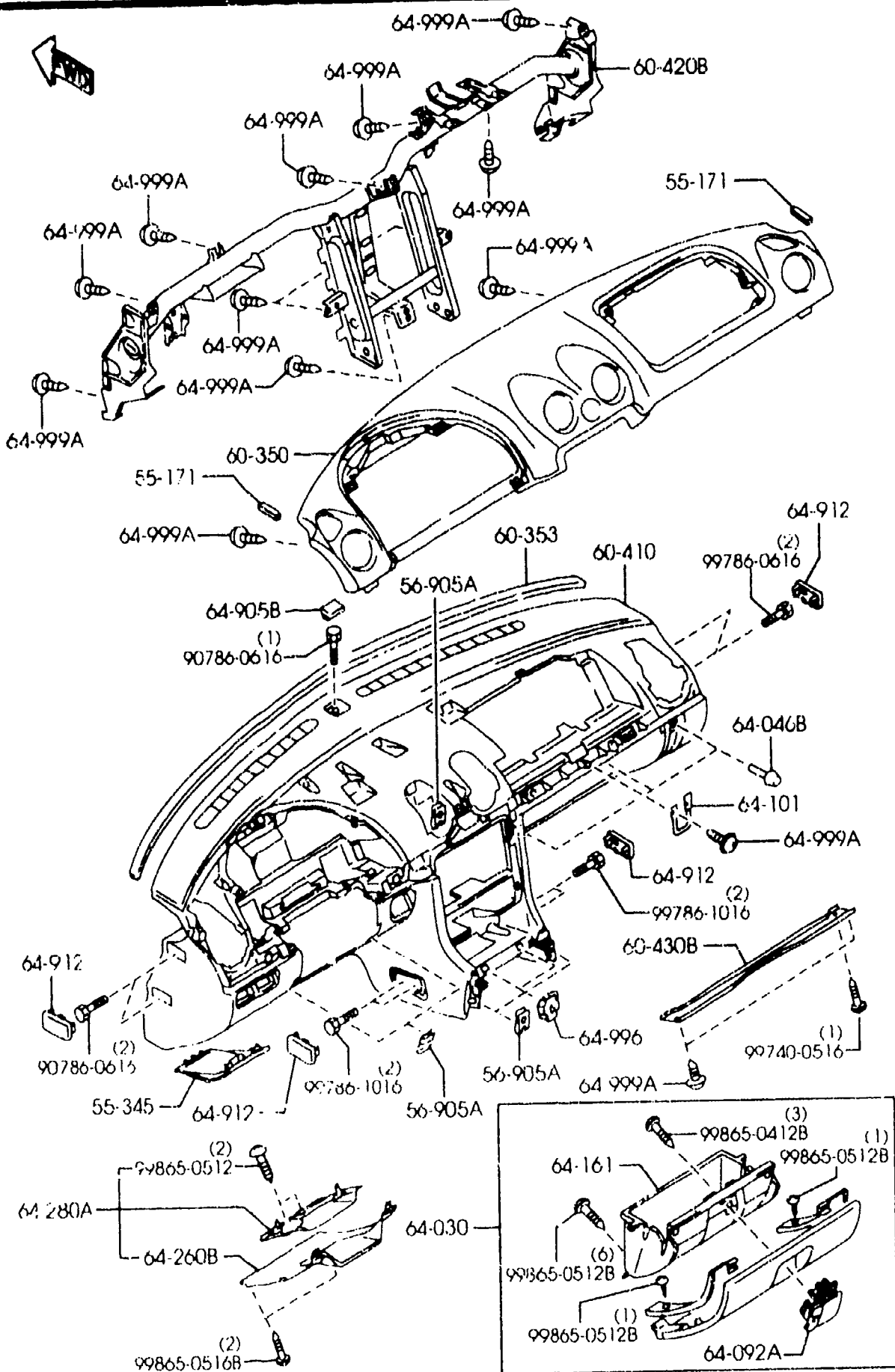
5540A METER COMPONENTS

5540A -2 * METER COMPONENTS



| PART NO. | QTY | MODEL/RESTRICTION | MODEL/RESTRICTION | MODEL/RESTRICTION | FROM-TO |
|-------------|-----|--------------------------|--------------------------------|-------------------|---------|
| 55-471 | | SPEEDOMETER | COMPTEUR | | |
| NC72-55-471 | 1 | (MILE/H & KM/H) | | | |
| NC73-55-471 | 1 | (KM/H & MILE/H) | | | |
| 55-472 | | KNOB, TRIPMETER | BOUTON, INDICATEUR DE PARCOURS | | |
| NC10-55-473 | 1 | | | | |
| 55-476H | | UNIT, DISPLAY-METER S ET | UNITE, APPAREIL-G. CO MPT | | |
| NC72-55-476 | 1 | (MILE/H & KM/H) | | | |
| NC73-55-476 | 1 | (KM/H & MILE/H) | | | |
| 55-481 | | METER, FUEL | INDICATEUR ESSENCE | | |
| N066-55-481 | 1 | | | | |
| 55-491D | | METER, THERMO | THERMOMETRE | | |
| N066-55-491 | 1 | | | | |

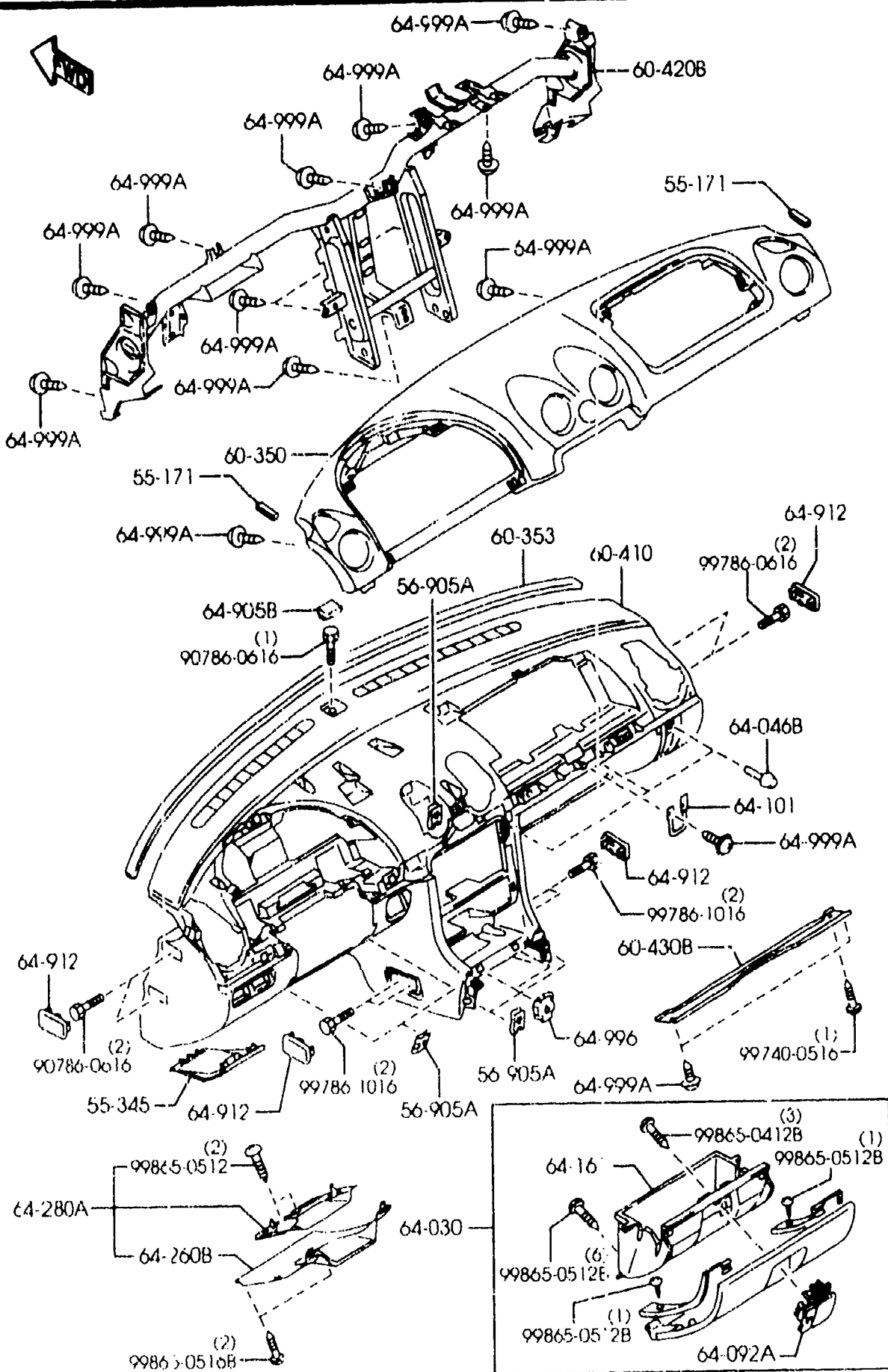
5560A DASHBOARD & RELATED PARTS



5560A -1 DASHBOARD & RELATED PARTS

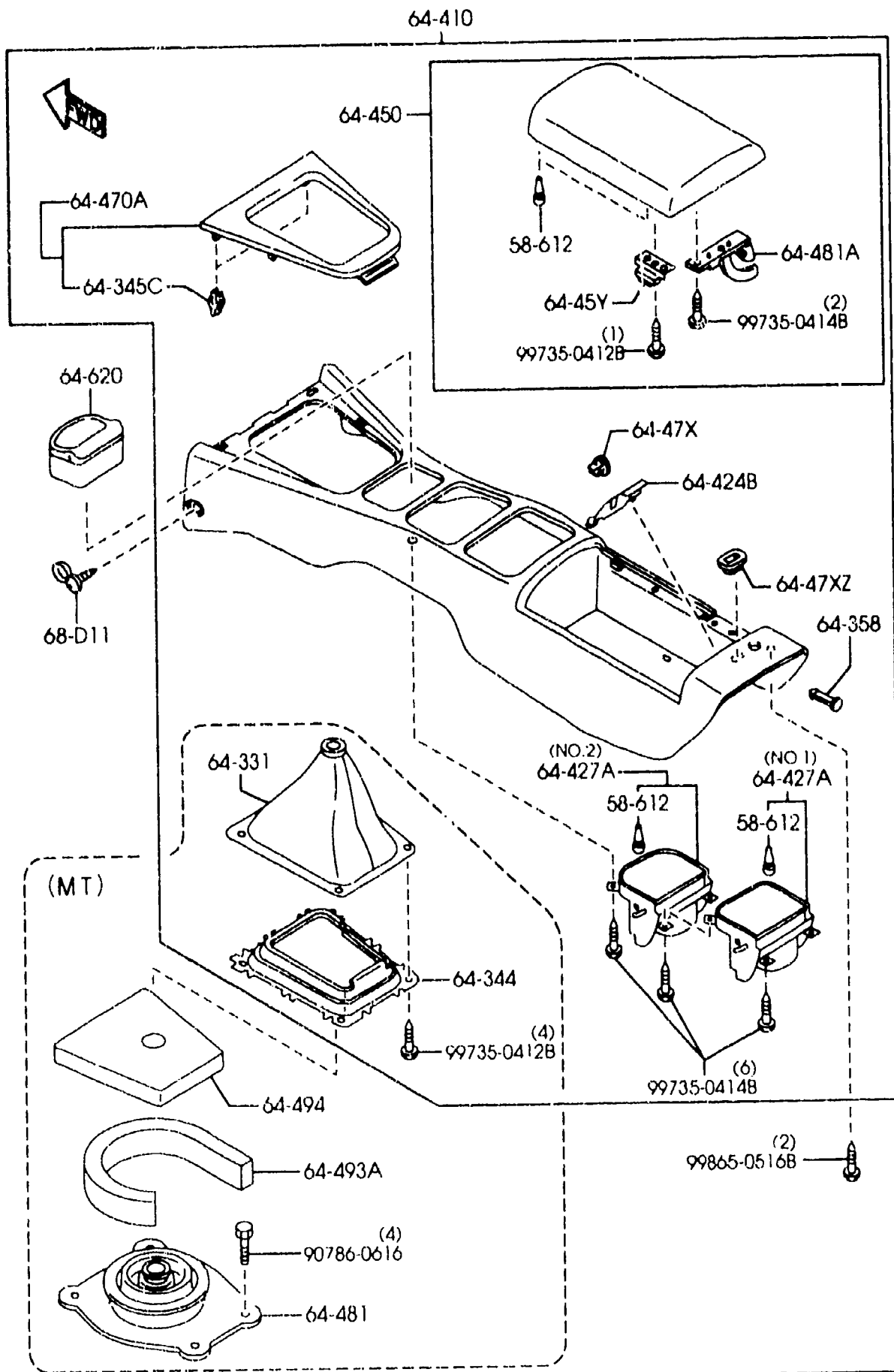
| PART NO. | QTY | MODEL/RESTRICTION | MODEL/RESTRICTION | MODEL/RESTRICTION | FROM-TO |
|-------------------|------|-----------------------|---------------------------|-------------------|-----------|
| 55-171 | | TAPE, CUSHION | RUBAN, COUSSIN | | |
| GE4T-55-171 | 2 | | | | |
| 55-345 | | COVER, FUSE BOX | CACHE | | |
| NC10-55-551 | 1 | | | | |
| 02 | INT- | NB3 NB5 BLACK | NB3 NB5 NOIR | | |
| 21 | INT- | NB4 NB8 TAN | NB4 NB8 TAN | | |
| 56-905A | | NUT, SPRING | ECROU | | |
| B092-60-408 | 5 | | | | |
| 60-350 | | PAD, CRASH | TABLEAU DE BORD | | |
| NC10-60-350 | 1 | | | | |
| 60-353 | | RUBBER, URETHNE | CAOUTCHOUC, URETANNE | | |
| NA75-60-353 | 1 | | | | |
| 60-410 | | FRAME, INST. PANEL | ARMATURE, TABLEAU DE BORD | | |
| NC10-60-401C | 1 | | | | -1A01 |
| C (NC10-60-401D) | | | | | |
| 02 | INT- | NB3 NB5 BLACK | NB3 NB5 NOIR | | |
| 21 | INT- | NB4 NB8 BLACK/TAN | NB4 NB8 NOIR/TAN | | |
| NC10-60-401D | 1 | | | | 1A01- |
| * 02 | INT- | NB3 NB5 BLACK | NB3 NB5 NOIR | | |
| * 21 | INT- | NB4 NB8 BLACK/TAN | NB4 NB8 NOIR/TAN | | |
| 60-420B | | MEMBER, CRASH PAD | MEMBRE, TABLEAU BORD | | |
| NC72-60-420 | 1 | | | | -0901 |
| AN (NC72-60-420A) | | | | | |
| NC72-60-420A | 1 | | | | 0901-0C01 |
| AN (NC72-60-420B) | | | | | |
| NC72-60-420B | 1 | | | | 0C01- |
| 60-430B | | MEMBER(R), INST. PANE | MEMBRE(D), TABLEAU BO | | |
| N053-60-430A | 1 | | RD | | |
| 64-030 | | BOX, GLOVE | COUVERCLE, BOITE A G | | |
| NC10-64-030B | 1 | | ANTS | | |
| 02 | INT- | NB3 NB5 BLACK | NB3 NB5 NOIR | | |
| 21 | INT- | NB4 NB8 TAN | NB4 NB8 TAN | | |
| NC10-60-401C | | 0901 NB35**-203448 | | | |
| C NC10-60-401D | | 0C01 NB35**-207195 | | | |
| B092-60-408 | 2 | 1A01 NB35**-223281 | | | |
| W201-64-999 | 2 | | | | |

5560A DASHBOARD & RELATED PARTS



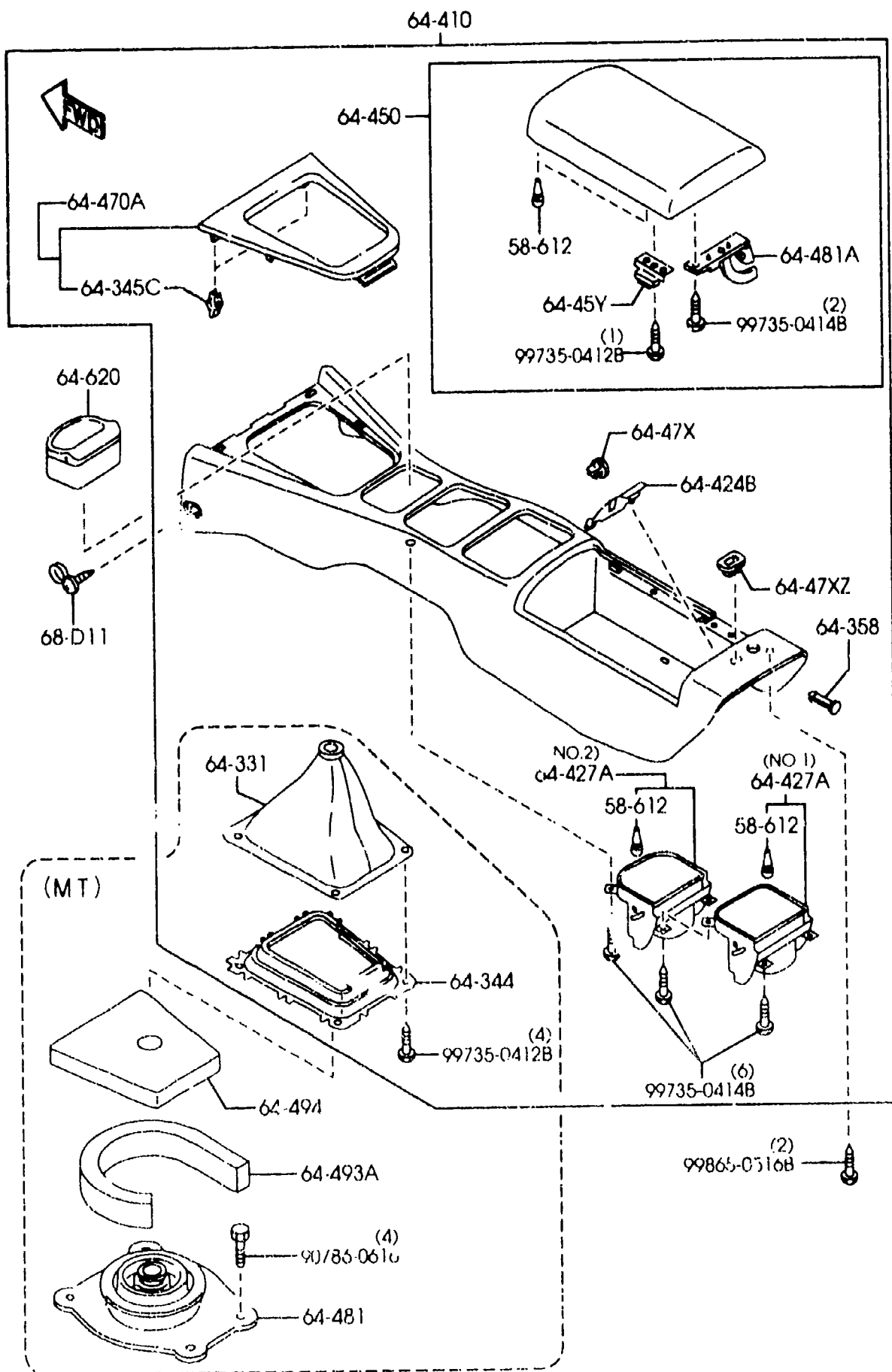
5560A -2 * DASHBOARD & RELATED PARTS

| PART NO. | QTY | MODEL/RESTRICTION | MODEL/RESTRICTION | MODEL/RESTRICTION | FROM-TO |
|--------------|------|---------------------------|----------------------------|-------------------|---------|
| 64-046B | | CUSHION, RUBBER-AIR BOARD | COUSS., CAOUT.-PLANCH .AIR | | |
| LB82-64-046 | 3 | | | | |
| 64-092A | | LOCK, GLOVE LID | SERRURE, | | |
| NC10-64-090C | 1 | | | | |
| 02 | INT- | NB3 NB5 BLACK | NB3 NB5 NOIR | | |
| 21 | INT- | NB4 NB8 TAN | NB4 NB8 TAN | | |
| 64-101 | | STRIKER | GACHE | | |
| LB82-64-101 | 1 | | | | |
| 64-161 | | BOX, GLOVE | PLATEAU, BOITE GANTS | | |
| NC10-64-161C | 1 | | | | |
| 64-260B | | PANEL, LOWER | PANNEAU INF. | | |
| N053-64-261A | 3 | | | | |
| 02 | INT- | NB3 NB5 BLACK | NB3 NB5 NOIR | | |
| 21 | INT- | NB4 NB8 TAN | NB4 NB8 TAN | | |
| 64-280A | | PANEL, LOWER | PANNEAU INFERIEUR | | |
| NC10-64-280C | 1 | | | | |
| 02 | INT- | NB3 NB5 BLACK | NB3 NB5 NOIR | | |
| 21 | INT- | NB4 NB8 TAN | NB4 NB8 TAN | | |
| 64-905B | | COVER, HOLE-(C) | COUVERCLE, QUVERTURE (C) | | |
| NA01-64-905A | 1 | | | | |
| 02 | INT- | NB3 NB4 NB5 NB8 BLACK | NB3 NB4 NB5 NB8 NOIR | | |
| 64-912 | | COVER, SIDE | COUVERCLE LATERAL | | |
| NA01-64-912A | 6 | | | | |
| 02 | INT- | NB3 NB5 BLACK | NB3 NB5 NOIR | | |
| 21 | INT- | NB4 NB8 TAN | NB4 NB8 TAN | | |
| 64-996 | | NUT, EXPANSION | ECROU D'EXPANSION | | |
| GJ21-64-996 | 2 | | | | |
| 64-999A | | SCREW, TAPPING | VIS TARAUDEUSE | | |
| W201-64-999 | 27 | | | | |



| PART NO. | QTY | MODEL/RESTRICTION | MODEL/RESTRICTION | MODEL/RESTRICTION | FROM-TO |
|--------------|------|------------------------|----------------------------|-------------------|-----------|
| 58-612 | | CUSHION, RUBBER | CAOUTCHOUC | | |
| B092-64-046 | 6 | | | | |
| 64-331 | | BOOT, CHANGE | COIFFE, LEVIER DE VITESSE | | |
| NC10-64-331A | 1 | (STD PANEL) | | | |
| NC76-64-331 | 1 | (WOOD PANEL) | | | |
| 64-344 | | PLATE, BACK-BOOTS RING | PLAQUE, ARRIERE-BAGUE COFF | | |
| NC10-64-334 | 1 | (MT) | (B.V. MANU) | | |
| 64-345C | | SPRING, UPPER PLATE | RESSORT, PLAQUE SUP | | |
| S47P-64-345 | 2 | | | | |
| 64-358 | | PIN | CLAVETTE | | |
| N066-64-458 | 1 | | | | |
| 64-410 | | CONSOLE, REAR | CONSOLE, AR | | |
| NC72-64-420C | 1 | (MT) | (B.V. MANU) | | -0821 |
| 02 | INT- | NB3 NB5 BLACK | NB3 NB5 NOIR | | |
| 21 | INT- | NB4 TAN | NB4 TAN | | |
| NC77-64-420C | 1 | (AT) | (B.V. AUTOM) | | -0621 |
| 02 | INT- | NB3 NB5 BLACK | NB3 NB5 NOIR | | |
| 21 | INT- | NB4 TAN | NB4 TAN | | |
| NC72-64-420D | 1 | (MT) | (B.V. MANU) | | 0821-0801 |
| 02 | INT- | NB3 NB5 BLACK | NB3 NB5 NOIR | | |
| 21 | INT- | NB4 TAN | NB4 TAN | | |
| NC77-64-420D | 1 | (AT) | (B.V. AUTOM) | | 0821-0801 |
| 02 | INT- | NB3 NB5 BLACK | NB3 NB5 NOIR | | |
| 21 | INT- | NB4 TAN | NB4 TAN | | |
| NC72-64-420E | 1 | (MT) | (B.V. MANU) | | 0801-1108 |
| 02 | INT- | NB3 NB5 BLACK | NB3 NB5 NOIR | | |
| 21 | INT- | NB4 NB8 TAN | NB4 NB8 TAN | | |
| NC77-64-420E | 1 | (STD PANEL) (AT) | (B.V. AUTOM) | | 0801-1827 |
| 02 | INT- | NB3 NB5 BLACK | NB3 NB5 NOIR | | |
| 21 | INT- | NB4 NB8 TAN | NB4 NB8 TAN | | |
| NC72-64-420E | 1 | (STD PANEL) (MT) | (B.V. MANU) | | 1108-1827 |

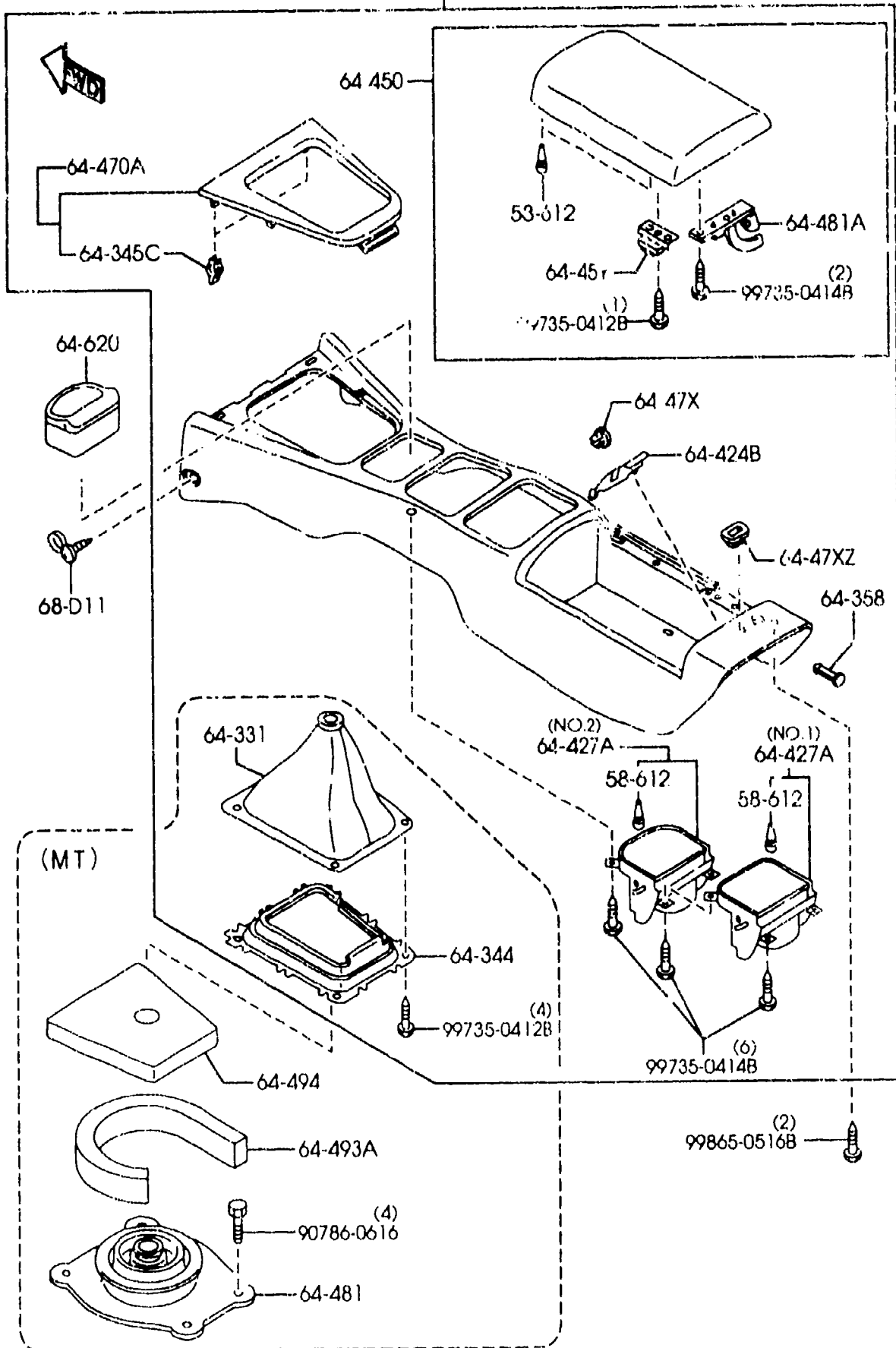
0821 NB35**-201834
 0801 NB35**-206344
 1108 NB35**-208709
 1827 NB35**-221520



| PART NO. | QTY | MODEL/RESTRICTION | MODEL/RESTRICTION | MODEL/RESTRICTION | FROM-TO |
|--------------|------|----------------------|---------------------|-----------------------------|-----------|
| CONT'D | | | | | |
| 02 | INT- | NB3 NB5 BLACK | NB3 NB5 NOIR | | |
| 21 | INT- | NB4 NB8 TAN | NB4 NB8 TAN | | |
| NC76-64-420A | 1 | (WOOD PANEL) (MT) | (B.V.MANU) | | 1108-1827 |
| 21 | INT- | NB4 TAN | NB4 TAN | | |
| NC72-64-420G | 1 | (STD PANEL) (MT) | (B.V.MANU) | | 1827- |
| 02 | INT- | NB3 NB5 BLACK | NB3 NB5 NOIR | | |
| 21 | INT- | NB4 NB8 TAN | NB4 NB8 TAN | | |
| NC76-64-420C | 1 | (WOOD PANEL) (MT) | (B.V.MANU) | | 1827- |
| 21 | INT- | NB4 TAN | NB4 TAN | | |
| NC77-64-420G | 1 | (STD PANEL) (AT) | (B.V.AUTOM) | | 1827- |
| 02 | INT- | NB3 NB5 BLACK | NB3 NB5 NOIR | | |
| 21 | INT- | NB4 NB8 TAN | NB4 NB8 TAN | | |
| | | 64-424B | COVER, REAR CONSOLE | COUVERCLE CONSOLE ARRIERE | |
| NO66-64-424 | 1 | | | | |
| | | 64-427A | HOLDER, CUP | SUPPORT, CAPUCHON | |
| NO67-64-39XB | 1 | (ILLUST. NO.2) | | | |
| 02 | INT- | NB3 NB5 BLACK | NB3 NB5 NOIR | | |
| 21 | INT- | NB4 NB8 TAN | NB4 NB8 TAN | | |
| NO66-64-39XB | 1 | (ILLUST. NO.1) | | | -0801 |
| 02 | INT- | NB3 NB5 BLACK | NB3 NB5 NOIR | | |
| 21 | INT- | NB4 TAN | NB4 TAN | | |
| NO66-64-39XC | 1 | (ILLUST. NO.1) | | | 0801- |
| 02 | INT- | NB3 NB5 BLACK | NB3 NB5 NOIR | | |
| 21 | INT- | NB4 NB8 TAN | NB4 NB8 TAN | | |
| | | 64-45Y | LOCK, CONSOLE LID | VERROUILLAGE, COUV. CONSOLE | |
| NO66-64-453B | 1 | | | | -0821 |
| 02 | INT- | NB3 NB5 BLACK | NB3 NB5 NOIR | | |
| 21 | INT- | NB4 TAN | NB4 TAN | | |
| NO66-64-453C | 1 | | | | 0821-1827 |
| 02 | INT- | NB3 NB5 BLACK | NB3 NB5 NOIR | | |

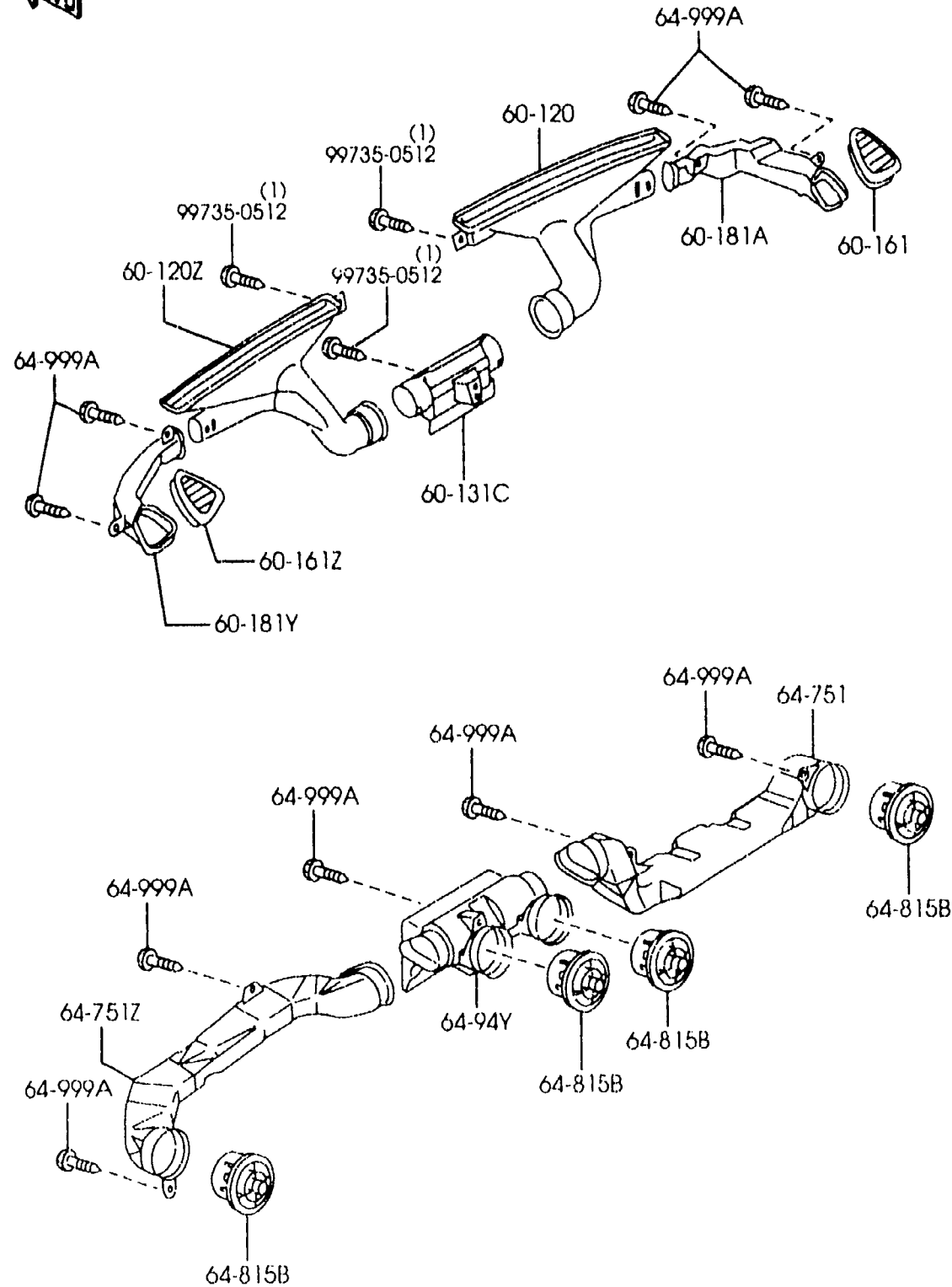
0821 NB35**-201834
 0801 NB35**-206344
 1108 NB35**-208709
 1827 NB35**-221520

64-410



| PART NO. | QTY | MODEL/RESTRICTION | MODEL/RESTRICTION | MODEL/RESTRICTION | FROM-TO |
|--------------|------|-------------------|---------------------|-------------------|---------|
| CONT'D | | | | | |
| N066-64-452 | 1 | | | | |
| 02 | INT- | NB3 NB5 BLACK | NB3 NB5 NOIR | | |
| 21 | INT- | NB4 NB8 TAN | NB4 NB8 TAN | | |
| 64-493A | | PACK, SILENT | BOURRAGE SILENCIEUX | | |
| H201-64-493 | 1 | (MT) | (B.V. MANU) | | |
| 64-494 | | PAD, CHANGE BGOT | BOURRELET, | | |
| FB01-64-495 | 1 | (MT) | (B.V. MANU) | | |
| 64-620 | | TRAY, ASH | CENDRIER | | |
| N066-64-610B | 1 | | | | |
| 68-D11 | | WASHER, SCREW | TETE, VIS | | |
| B501-68-D11B | 2 | | | | |
| 00 | INT- | NB3 NB5 BLACK | NB3 NB5 NOIR | | |
| 21 | INT- | NB4 NB8 TAN | NB4 NB8 TAN | | |

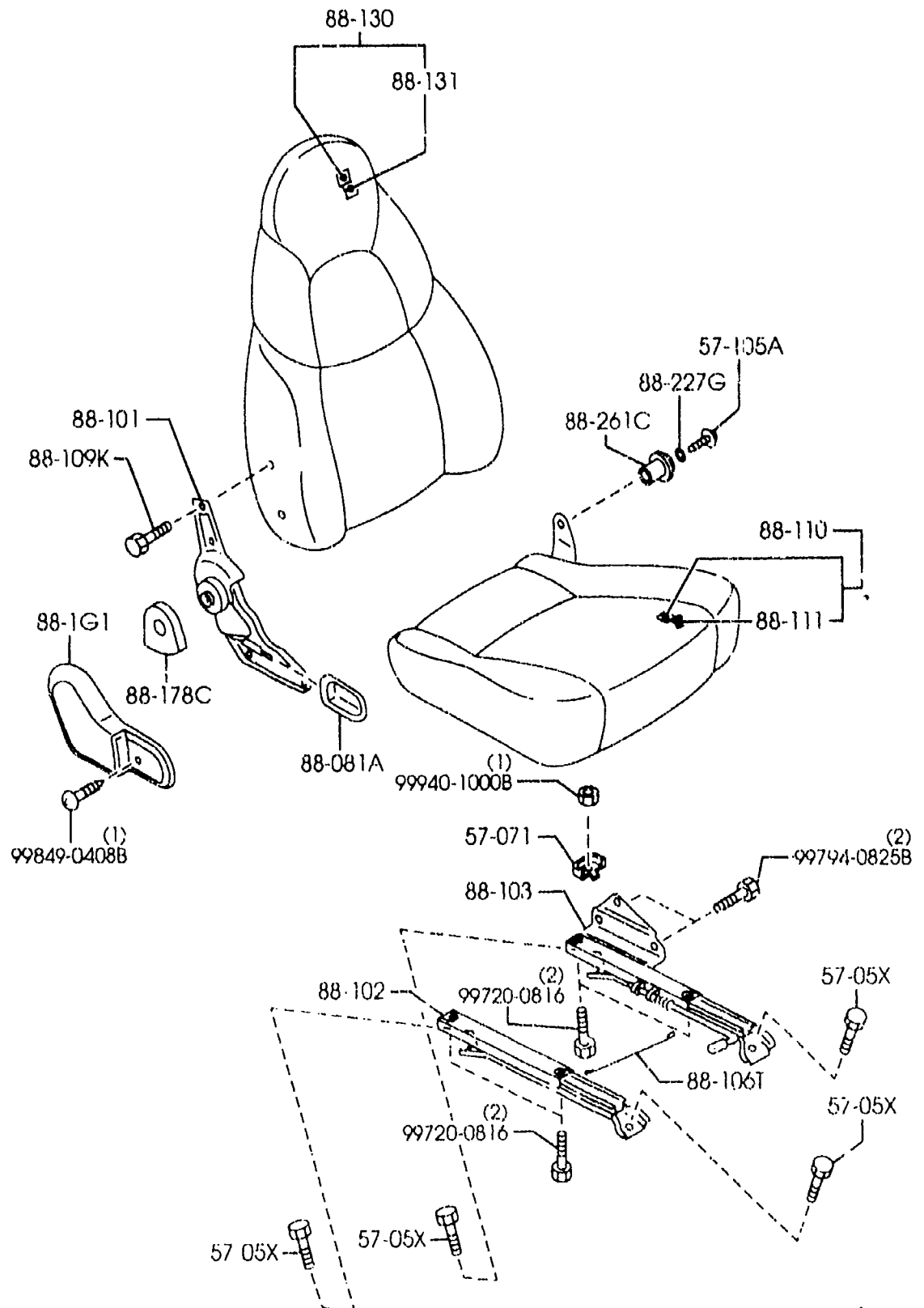
5580A VENTILATOR



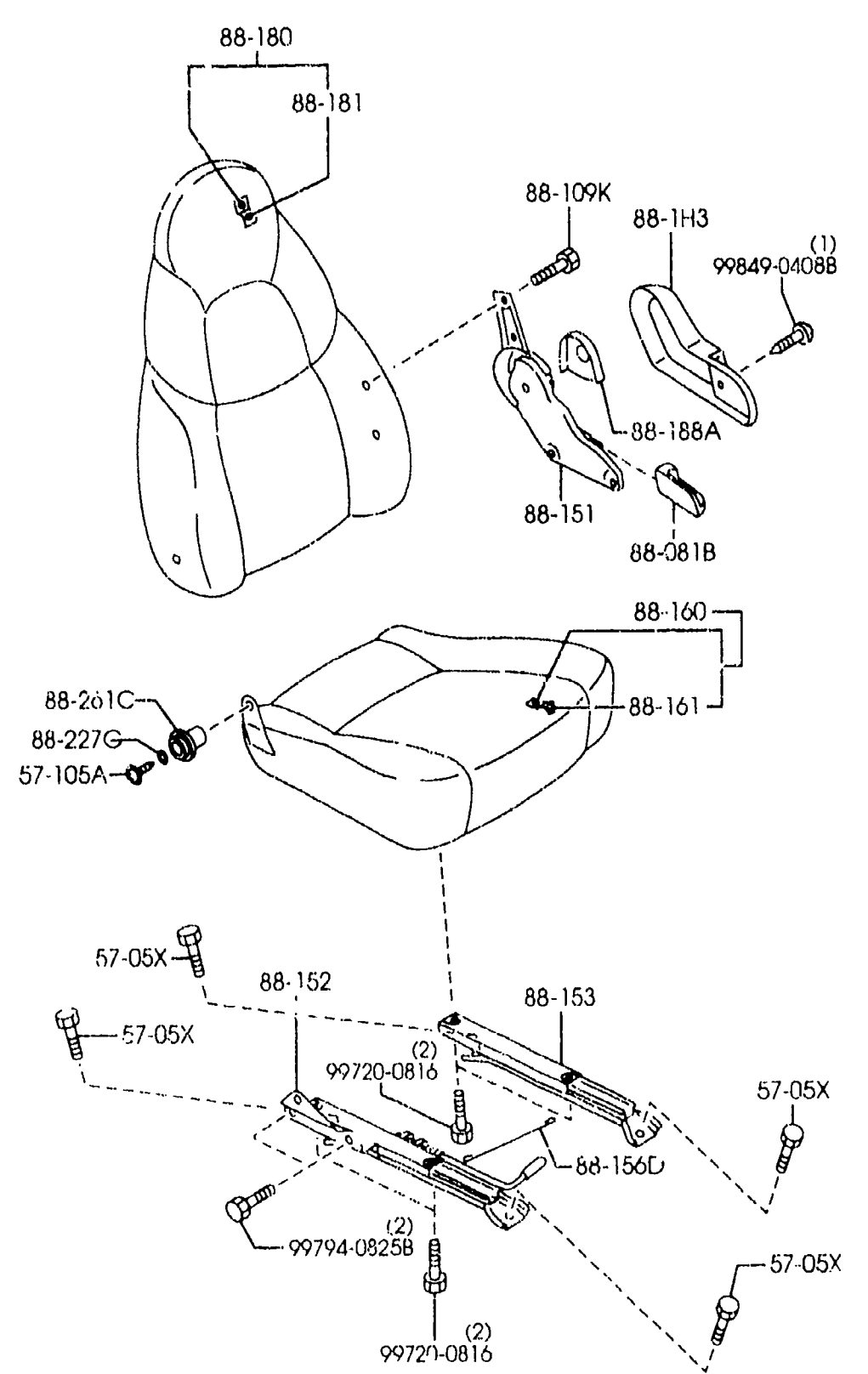
5500A -1 * VENTILATOR

| PART NO. | QTY | MODEL/RESTRICTION | MODEL/RESTRICTION | MODEL/RESTRICTION | FROM TO |
|--------------|------|--------------------------|--------------------------------|-------------------|---------|
| 60-120 | | NOZZLE(R), DEFROSTER | BOUCHE, DEGIVRAGE (D) | | |
| NA75-60-121B | 1 | | | | |
| 60-120Z | | NOZZLE(L), DEFROSTER | BUCHE, DEGIVRAGE (G) | | |
| NA01-60-141 | 1 | | | | |
| 60-131C | | DUCT, DEFROSTER | CONDUITE | | |
| NC10-60-122A | 1 | | | | |
| 60-161 | | GRILLE(R), DEMISTER | GRILLE(D), DESEMBUAGE | | |
| NC10-60-160 | 1 | | | | |
| 60-161Z | | GRILLE(L), DEMISTER | GRILLE(G), DESEMBUAGE | | |
| NC10-60-170 | 1 | | | | |
| 60-181A | | DUCT(R), SIDE DEMIST. | CONDUITE(G), DESEMBUA | | |
| NC10-60-181A | 1 | | | | |
| 60-181Y | | DUCT(L), SIDE DEMIST. | CONDUITE(G), | | |
| NC10-60-191A | 1 | | | | |
| 64-751 | | DUCT(R) | CONDUIT (D) | | |
| NC10-64-741A | 1 | | | | |
| 64-751Z | | DUCT(L) | CONDUIT (G) | | |
| NC10-64-841A | 1 | | | | |
| 64-815B | | LOUVER, VENTILATOR | AUVENT AERATION | | |
| NA01-64-81XC | 4 | | | | |
| 00 | INT- | NB3 NB4 NB5 NB8 BLACK | NB7 NB4 NB5 NB8 NOIR | | |
| 64-94Y | | DUCT NO.2(C), VENT. | CONDUIT NO.2(C), VENT ILAT. | | |
| NC10-64-941 | 1 | | | | |
| 64-999A | | SCREW, TAPPING | VIS TARAUDEUSE | | |
| W201-64-999 | 9 | | | | |

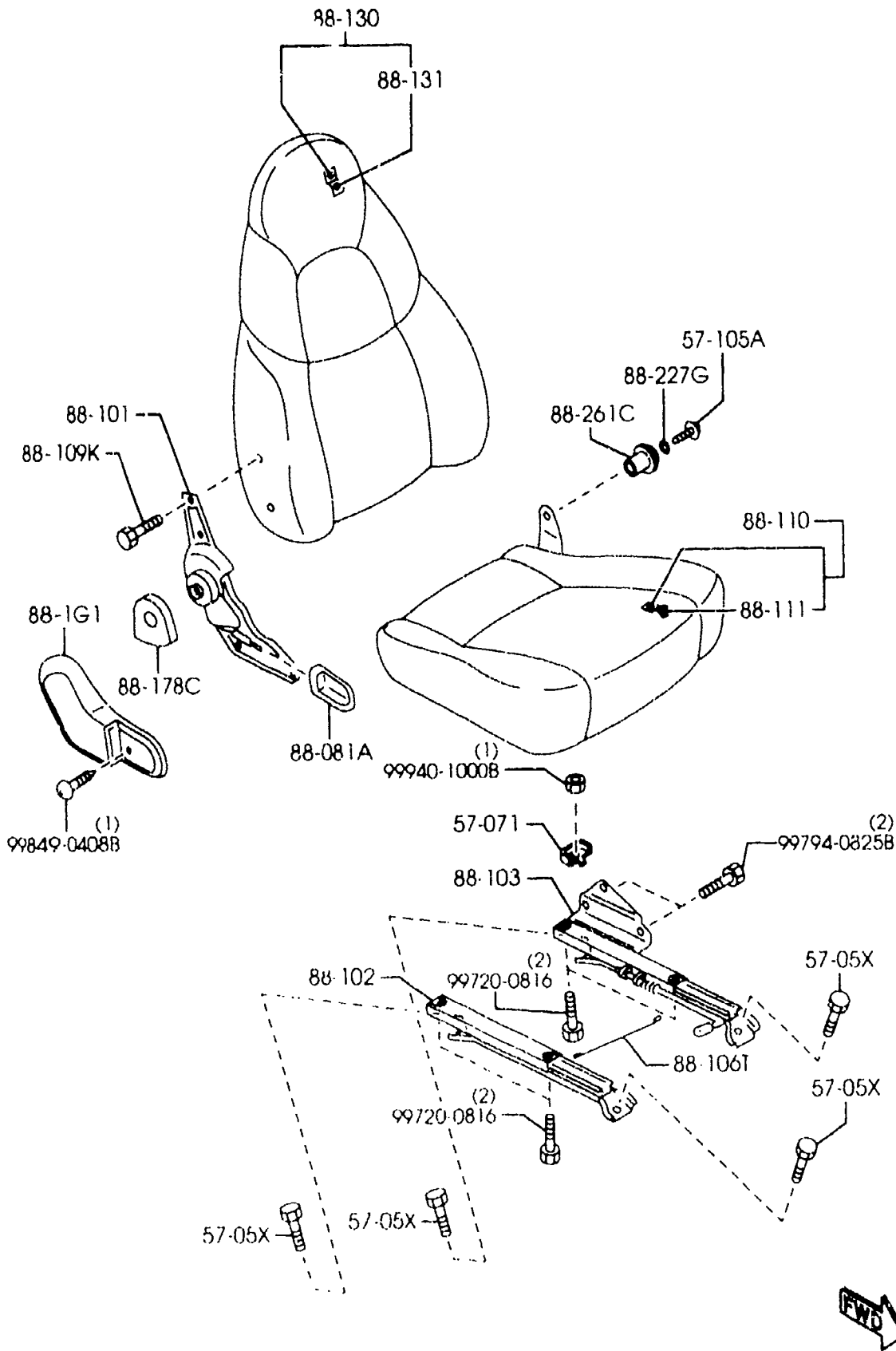
PASSENGER SIDE



DRIVER SIDE

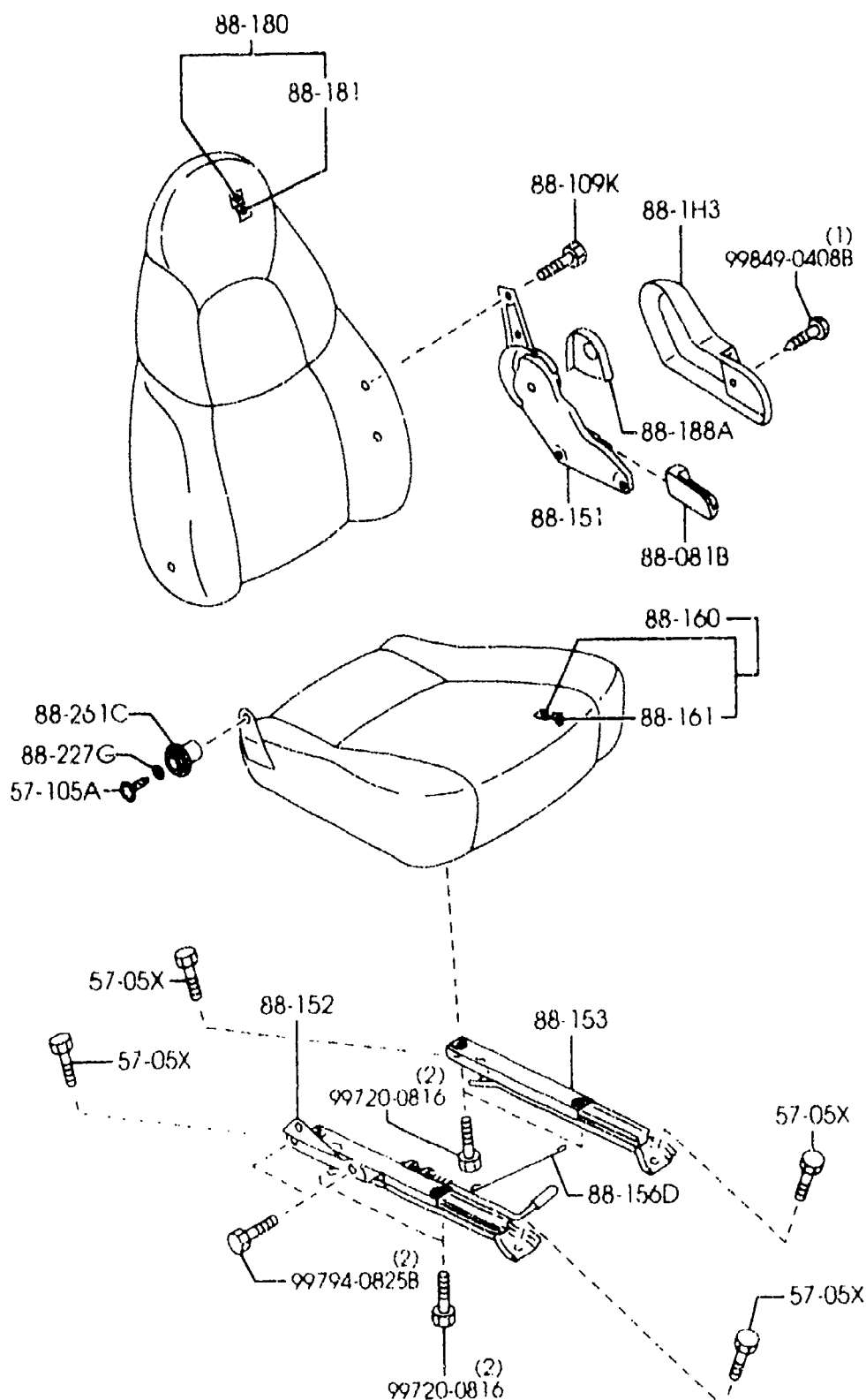


PASSENGER SIDE



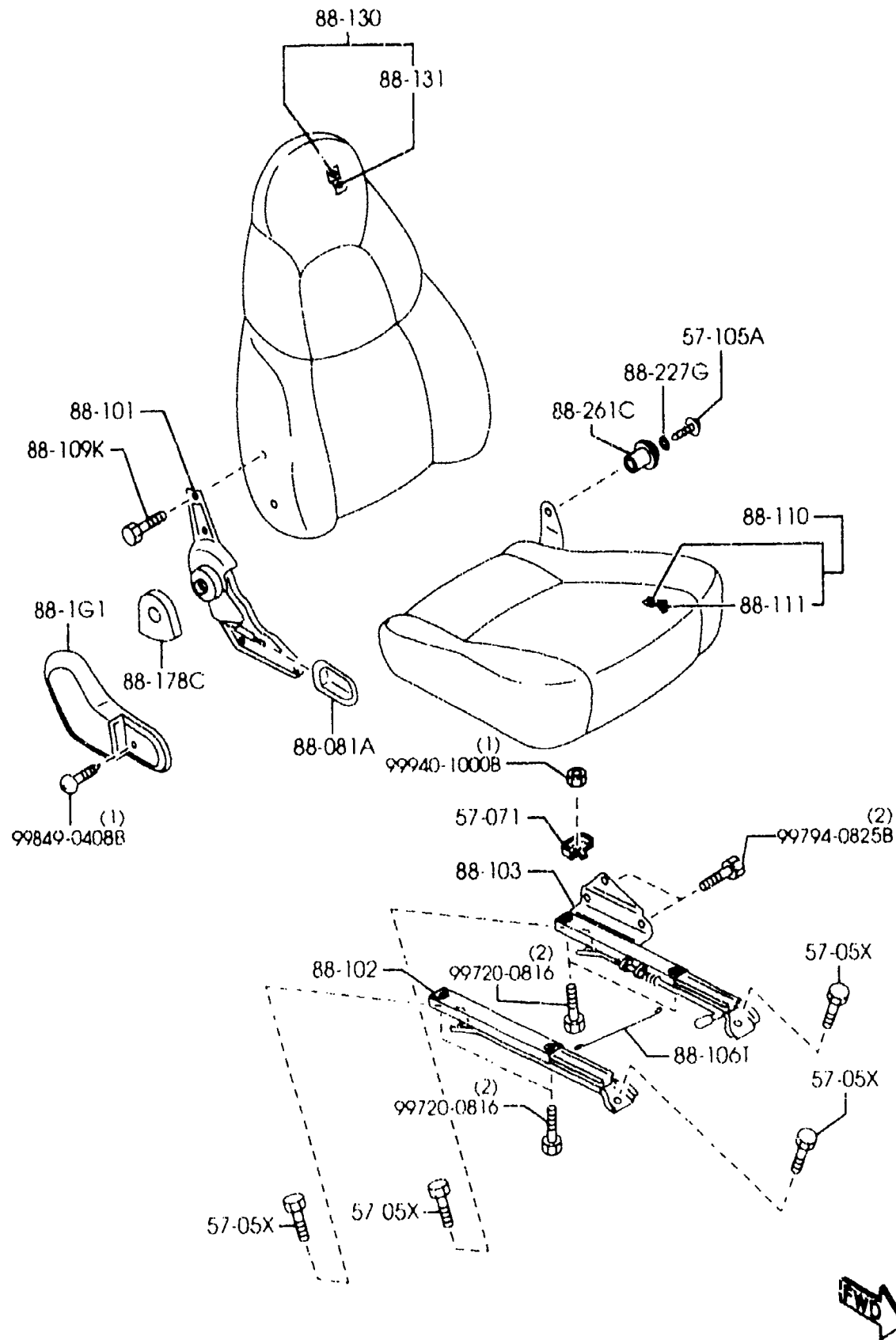
| PART NO. | QTY | MODEL/RESTRICTION | MODEL/RESTRICTION | MODEL/RESTRICTION | FROM-TO |
|--------------|------|------------------------|-------------------------|-------------------|---------|
| 57-05X | | BOLT, LINK | BOULON, CHAINION | | |
| B455-57-05XB | 8 | | | | |
| 57-071 | | BRACKET, SEAT LOCK-RR | SUPPORT, ARRET SIEGE-AR | | |
| NA75-57-071 | 1 | | | | |
| 57-105A | | BOLT, HINGE | BOULON DE CHARNIERE | | |
| NC10-88-063 | 2 | | | | |
| 88-081A | | KNOB(R), KNUCKLE | BOULE(D) | | |
| N066-88-1G5 | 1 | | | | |
| 02 | INT- | NB3 NB5 NB9 BLACK | NB3 NB5 NB9 NOIR | | |
| 21 | INT- | NB4 NB8 TAN | NB4 NB8 TAN | | |
| 88-081B | | KNOB(L), KNUCKLE | BOULE(G) | | |
| N066-88-1H5 | 1 | | | | |
| 02 | INT- | NB3 NB5 NB9 BLACK | NB3 NB5 NB9 NOIR | | |
| 21 | INT- | NB4 NB8 TAN | NB4 NB8 TAN | | |
| 88-1G1 | | COVER NO.1, SIDE-F. SE | CACHE NO.1, LAT.-SIEG | | |
| N066-88-1G1 | 1 | AT | E AV | | |
| 02 | INT- | NB3 NB5 NB9 BLACK | NB3 NB5 NB9 NOIR | | |
| 21 | INT- | NB4 NB8 TAN | NB4 NB8 TAN | | |
| 88-1H3 | | COVER NO.4, SIDE-F. SE | CACHE NO.4, LAT.-SIEG | | |
| N066-88-1H3 | 1 | AT | E AV | | |
| 02 | INT- | NB3 NB5 NB9 BLACK | NB3 NB5 NB9 NOIR | | |
| 21 | INT- | NB4 NB8 TAN | NB4 NB8 TAN | | |
| 88-101 | | KNUCKLE(R), RECLINING | CHARNIERE D'INCLINAI | | |
| N066-88-101 | 1 | | SON (D) | | |
| 88-102 | | ADJUSTER, NO.1 | REGLAGE NO 1 | | |
| N066-88-102 | 1 | | | | |
| 88-103 | | ADJUSTER, NO.2 | REGLAGE NO 2 | | |
| NC72-88-103 | 1 | | | | |
| 88-106T | | WIRE, CONNECT | FIL DE LIAISON | | |

DRIVER SIDE



| PART NO. | QTY | MODEL/RESTRICTION | MODEL/RESTRICTION | MODEL/RESTRICTION | FROM-TO |
|-----------------------|--------------|-----------------------|---------------------|-------------------|---------|
| CONT'D NA01-88-106 | 1 | | | | |
| 88-109K | | SCREW, KNUCKLE | VIS, GENOUILLERE | | |
| H260-88-109 | 8 | | | | |
| 88-110 | | CUSHION(R), FRT SEAT | HOUSSE DE SIEGE (D) | | |
| NC74-88-110 | 1 (STC TYPE) | | | | |
| 02 | INT- | NB3 BLACK | NB3 NOIR | | -0801 |
| N066-88-110 | 1 (STA TYPE) | | | | |
| 02 | INT- | NB3 BLACK | NB3 NOIR | | -1501 |
| N068-88-110 | 1 (STB TYPE) | | | | |
| 21 | INT- | NB4 TAN | NB4 TAN | | 0801- |
| N066-88-110A | 1 (STA TYPE) | | | | |
| 02 | INT- | NB3 BLACK | NB3 NOIR | | 1501- |
| N068-88-110A | 1 (STB TYPE) | | | | |
| 21 | INT- | NB4 TAN | NB4 TAN | | |
| 23 | INT- | NB9 BROWN | NB9 BRUN | | |
| 88-111 | | TRIM(R), SEAT CUSHION | HOUSSE DE SIEGE (D) | | |
| NC74-88-111 | 1 (STC TYPE) | | | | |
| 02 | INT- | NB3 BLACK | NB3 NOIR | | -0801 |
| N066-88-111 | 1 (STA TYPE) | | | | |
| 02 | INT- | NB3 BLACK | NB3 NOIR | | -1501 |
| N068-88-111 | 1 (STB TYPE) | | | | |
| 21 | INT- | NB4 TAN | NB4 TAN | | 0801- |
| N066-88-111A | 1 (STA TYPE) | | | | |
| 02 | INT- | NB3 BLACK | NB3 NOIR | | 1501- |
| N068-88-111A | 1 (STB TYPE) | | | | |
| 21 | INT- | NB4 TAN | NB4 TAN | | |
| 23 | INT- | NB9 BROWN | NB9 BRUN | | |
| 88-130 | | BACK(R), FRONT SEAT | SIEGE(D), ARRIERE | | |
| NC72-88-130 | 1 (STA TYPE) | | | | |
| 02 | INT- | NB3 BLACK | NB3 NOIR | | |
| NC73-88-130 | 1 (STB TYPE) | | | | |
| 21 | INT- | NB4 TAN | NB4 TAN | | |
| 0801 NB35**-206344 | | | | | |
| 1501 NB35**-217826 | | | | | |

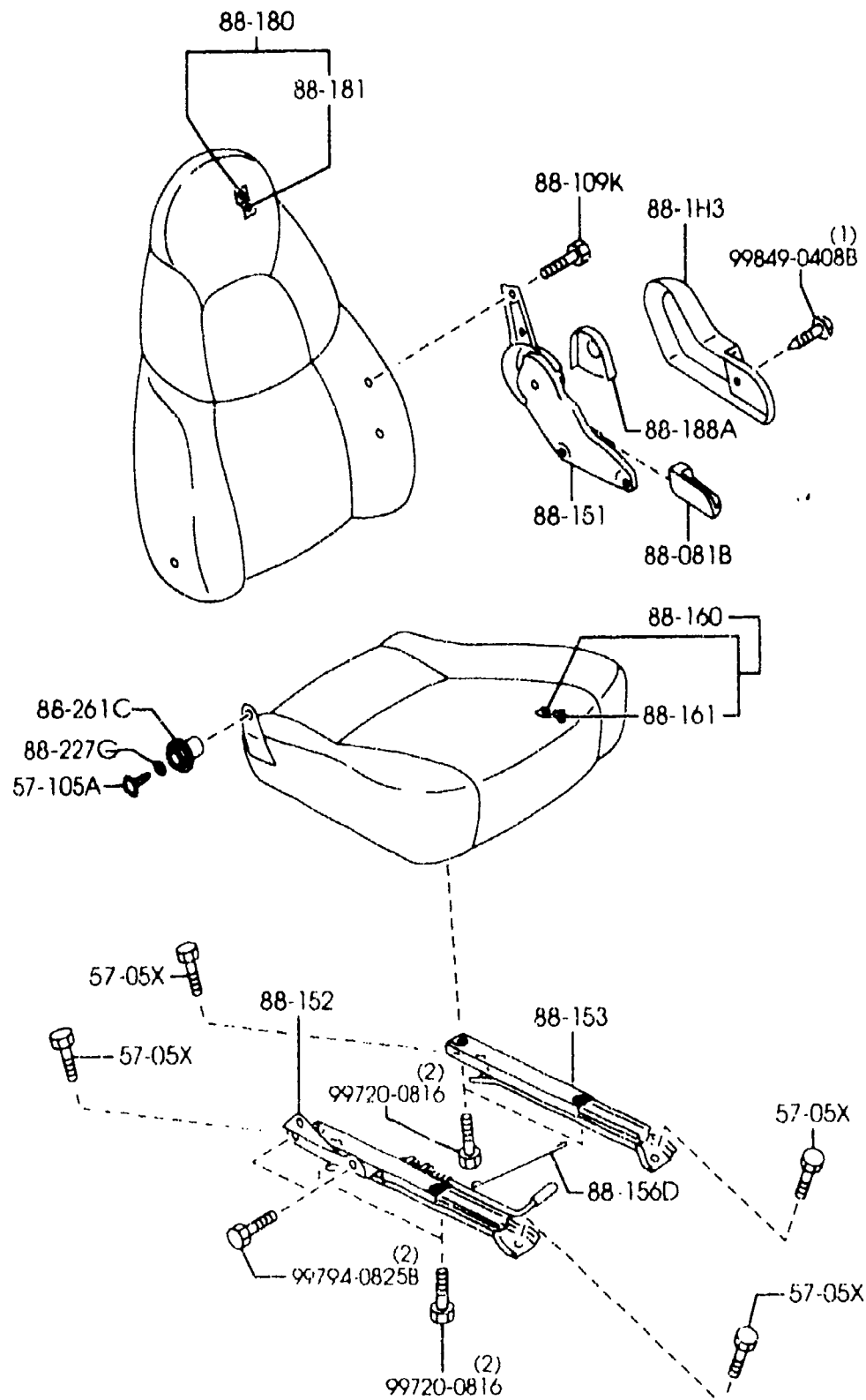
PASSENGER SIDE



| PART NO. | QTY | MODEL/RESTRICTION | MODEL/RESTRICTION | MODEL/RESTRICTION | FROM-TO |
|--------------|------|----------------------|---------------------------|-------------------|---------|
| CONT'D | | | | | |
| 23 | INT- | NB9 BROWN | NB9 BRUN | | |
| NC74-88-130 | 1 | (STC TYPE) | | | |
| 02 | INT- | NB3 BLACK | NB3 NOIR | | |
| 88-131 | | TRIM(R),SEAT BACK | GARNITURE (D), SIEGE ARR | | |
| NC72-88-131 | 1 | (STA TYPE) | | | |
| 02 | INT- | NB3 NB9 BLACK | NB3 NB9 NOIR | | |
| NC73-88-131 | 1 | (STB TYPE) | | | |
| 21 | INT- | NB4 NBB TAN | NB4 NBB TAN | | |
| 23 | INT- | NB9 BROWN | NB9 BRUN | | |
| NC74-88-131 | 1 | (STC TYPE) | | | |
| 02 | INT- | NB3 BLACK | NB3 NOIR | | |
| 88-151 | | KNUCKLE(L),RECLINING | CHARNIERE D'INCLINAISON (| | |
| N066-88-155 | 1 | | | | |
| 88-152 | | ADJUSTER NO.3 | REGLAGE NO 3 | | |
| N066-88-152 | 1 | | | | |
| 88-153 | | ADJUSTER NO.4 | REGLAGE NO 4 | | |
| N066-88-153 | 1 | | | | |
| 88-156D | | WIRE,CONNECT | FIL DE LIAISON | | |
| N001-88-156 | 1 | | | | |
| 88-160 | | CUSHION(L),FRT SEAT | HOUSSE DE SIEGE (G) | | |
| NC74-88-160 | 1 | (STC TYPE) | | | |
| 02 | INT- | NB3 BLACK | NB3 NOIR | | -0801 |
| N066-88-160 | 1 | (STA TYPE) | | | |
| 02 | INT- | NB3 BLACK | NB3 NOIR | | -1501 |
| N068-88-160 | 1 | (STB TYPE) | | | |
| 21 | INT- | NB4 TAN | NB4 TAN | | 0801- |
| N066-88-160A | 1 | (STA TYPE) | | | |
| 02 | INT- | NB3 BLACK | NB3 NOIR | | 1501- |
| N068-88-160A | 1 | (STB TYPE) | | | |
| 21 | INT- | NB4 TAN | NB4 TAN | | |
| 23 | INT- | NB9 BROWN | NB9 BRUN | | |

0801 NB35** -206344
1501 NB35** -217826

DRIVER SIDE

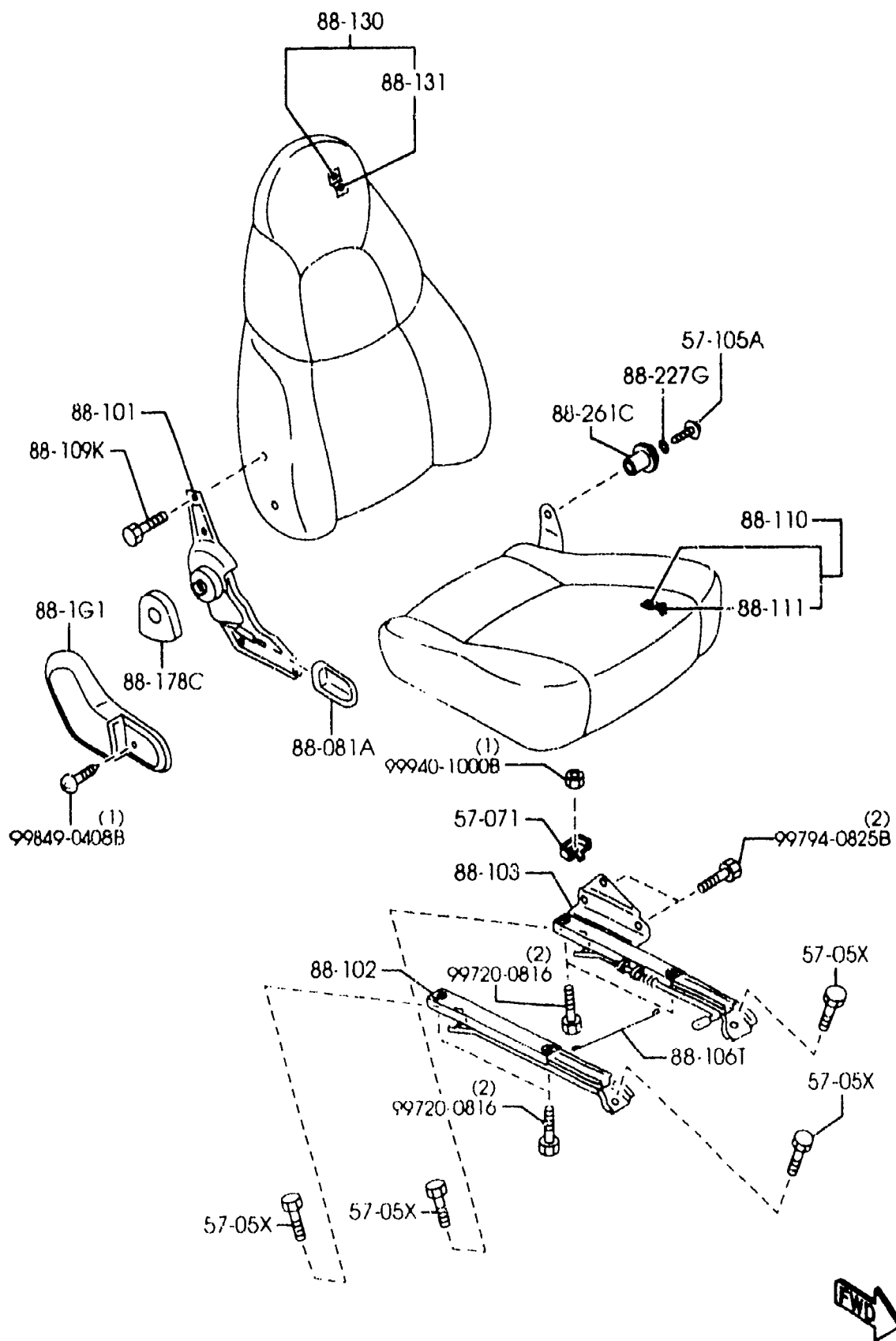


5700A -4 SEATS

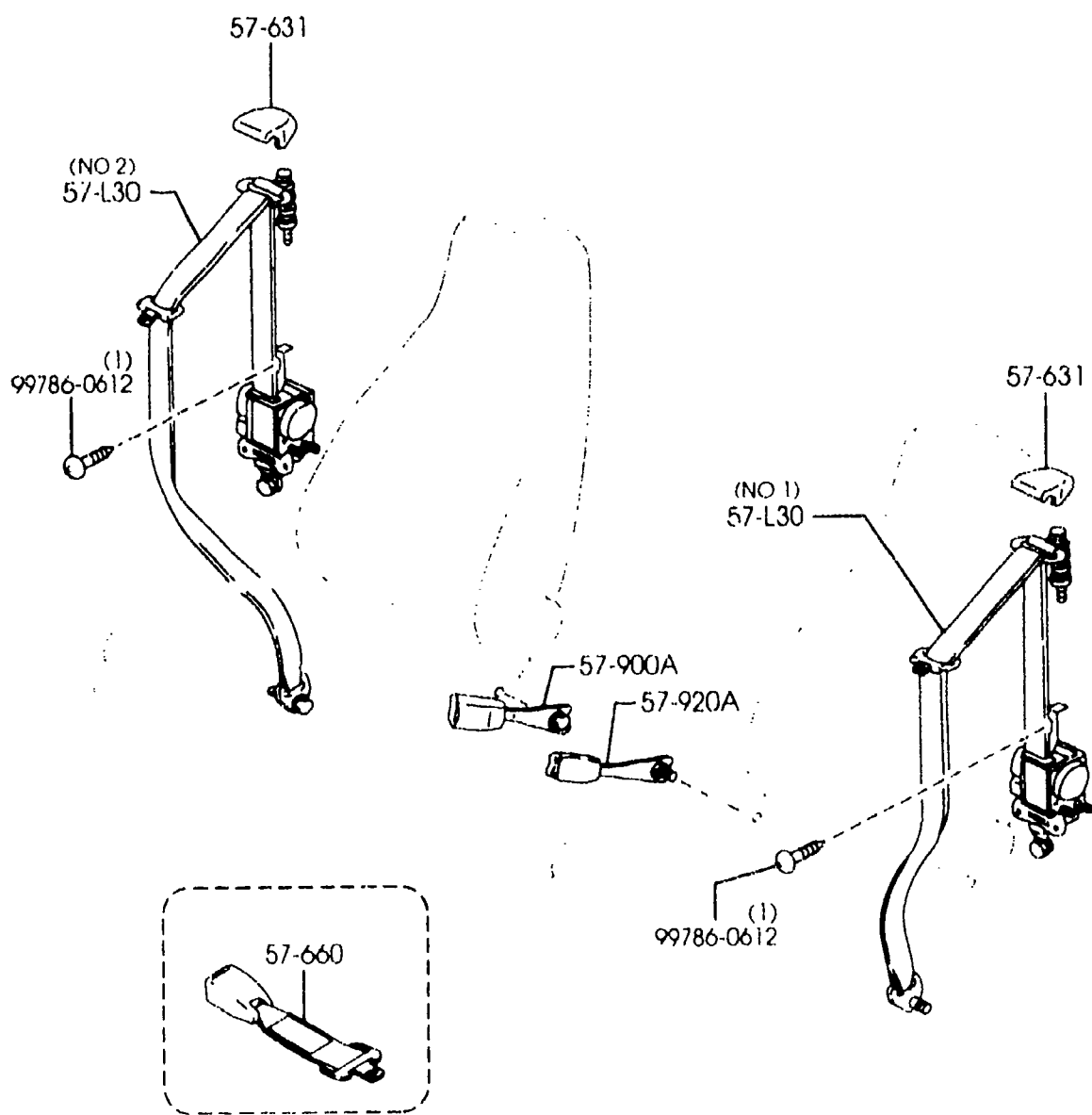
| PART NO. | QTY | MODEL/RESTRICTION | MODEL/RESTRICTION | MODEL/RESTRICTION | FROM-TO |
|--------------|------|-----------------------|----------------------|-------------------|---------|
| 88-161 | | TRIM(L), SEAT CUSHION | HOUSSE DE SIEGE (G) | | |
| NC74-88-161 | 1 | (STC TYPE) | | | |
| 02 | INT- | NB3 BLACK | NB3 NOIR | | -0801 |
| N066-88-161 | 1 | (STA TYPE) | | | |
| 02 | INT- | NB3 BLACK | NB3 NOIR | | -1501 |
| N068-88-161 | 1 | (STB TYPE) | | | |
| 21 | INT- | NB4 TAN | NB4 TAN | | 0801- |
| N066-88-161A | 1 | (STA TYPE) | | | |
| 02 | INT- | NB3 BLACK | NB3 NOIR | | 1501- |
| N068-88-161A | 1 | (STB TYPE) | | | |
| 21 | INT- | NB4 TAN | NB4 TAN | | |
| 23 | INT- | NB9 BROWN | NB9 BRUN | | |
| 88-178C | | COVER(R), HINGE | COUVERCLE(D), CHARN | | |
| N066-88-035 | 1 | | | | |
| 02 | INT- | NB3 NB5 NB9 BLACK | NB3 NB5 NB9 NOIR | | |
| 21 | INT- | NB4 NB8 TAN | NB4 NB8 TAN | | |
| 86-180 | | BACK(L), FRONT SEAT | SIEGE(G), ARRIERE | | |
| NC72-88-180 | 1 | (STA TYPE) | | | |
| 02 | INT- | NB3 BLACK | NB3 NOIR | | |
| NC73-88-180 | 1 | (STB TYPE) | | | |
| 21 | INT- | NB4 TAN | NB4 TAN | | |
| 23 | INT- | NB9 BROWN | NB9 BRUN | | |
| NC74-88-180 | 1 | (STC TYPE) | | | |
| 02 | INT- | NB3 BLACK | NB3 NOIR | | |
| 88-181 | | TRIM(L), SEAT BACK | HOUSSE (G), SIEGE AR | | |
| NC72-88-181 | 1 | (STA TYPE) | | | |
| 02 | INT- | NB3 BLACK | NB3 NOIR | | |
| NC73-88-181 | 1 | (STB TYPE) | | | |
| 21 | INT- | NB4 NB8 TAN | NB4 NB8 TAN | | |
| 23 | INT- | NB9 BROWN | NB9 BRUN | | |
| NC74-88-181 | 1 | (STC TYPE) | | | |
| 02 | INT- | NB3 BLACK | NB3 NOIR | | |

0801 NB35**-206344
1501 NB35**-217826

PASSENGER SIDE

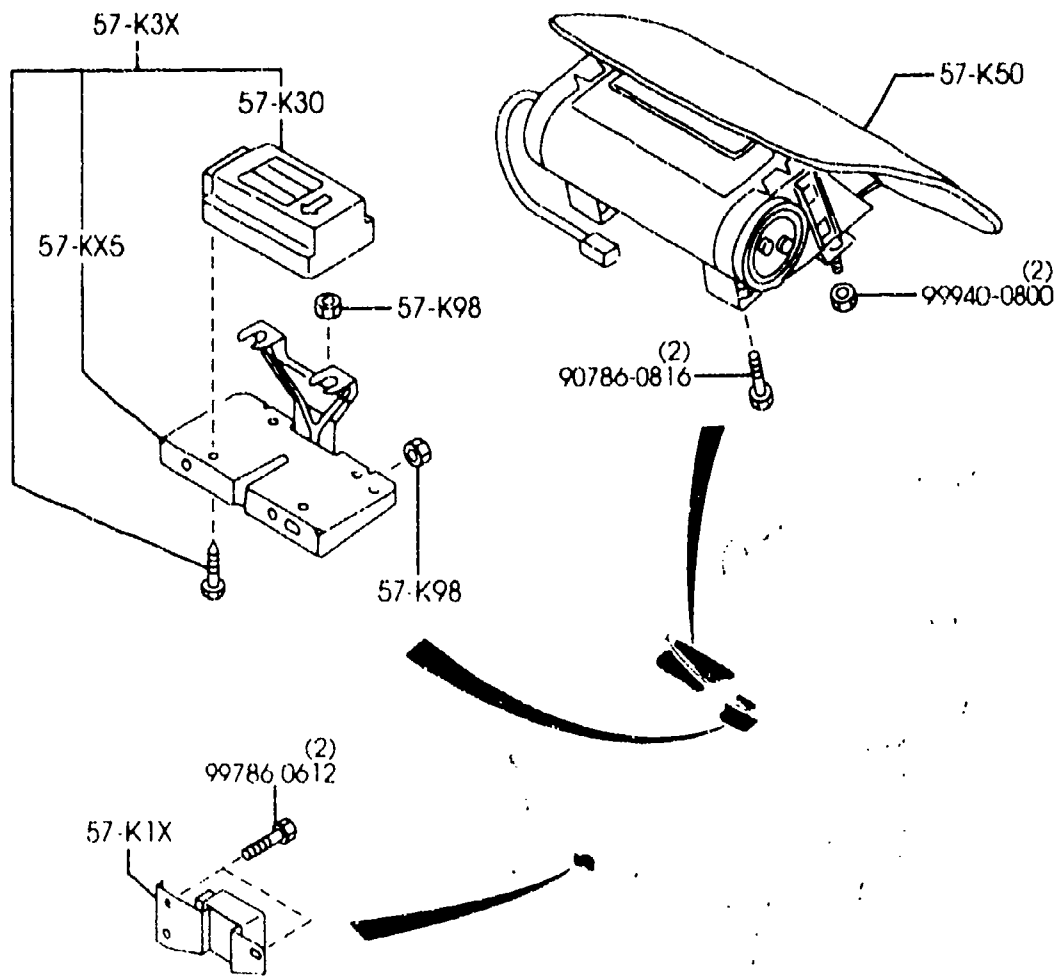
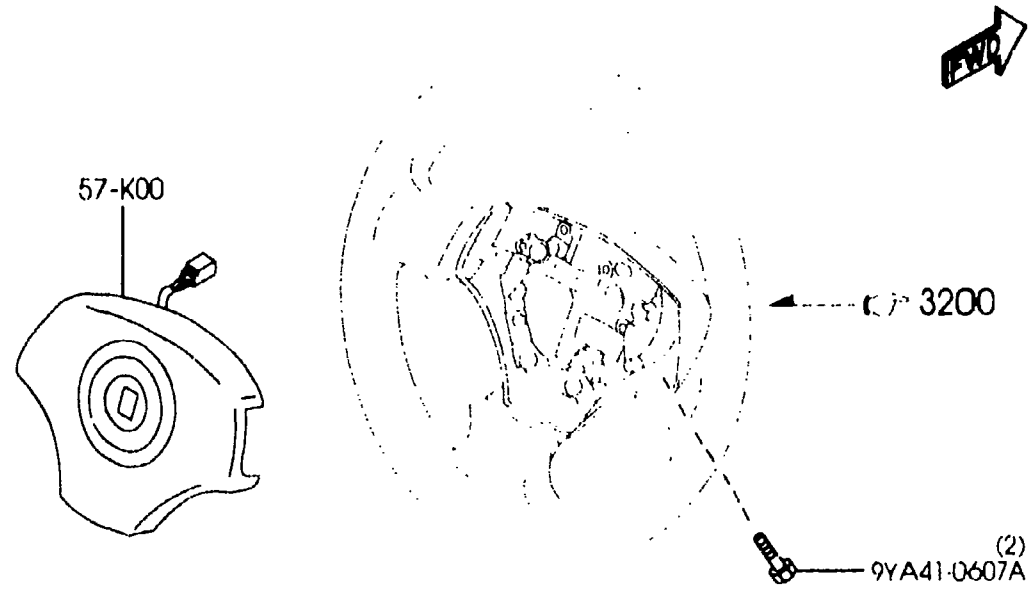


| PART NO. | QTY | MODEL/RESTRICTION | MODEL/RESTRICTION | MODEL/RESTRICTION | FROM-TO |
|-------------|------|-------------------|----------------------|-------------------|---------|
| 88-106A | | COVER(L),HINGE | COUVERCLE(G),CHARN | | |
| N066-88-085 | 1 | | | | |
| 02 | INT- | NB3 NB5 NB9 BLACK | NB3 NB5 NB9 NOIR | | |
| 21 | INT- | NB4 NBB TAN | NB4 NBB TAN | | |
| 88-227G | | SILENCER | SILENCIEUX | | |
| NC10-88-049 | 2 | | | | |
| 88-261C | | LEVER,RELEASE | LEVIER DE DEGAGEMENT | | |
| NA75-88-108 | 2 | | | | |



| PART NO. | QTY | MODEL/RESTRICTION | MODEL/RESTRICTION | MODEL/RESTRICTION | FROM-TO |
|--------------|------|----------------------------|---------------------------------|-------------------|---------|
| 57-L30 | | BELT 'B' (R), PRETENSIONER | COURROIE 'B' (D), PRETENSIONNER | | |
| NC72-57-L30 | 1 | (ILLUST. NO.1) | | | |
| 00 | INT- | NB3 NB5 NB9 BLACK | NB3 NB5 NB9 NOIR | | |
| 21 | INT- | NB4 NB8 BLACK/TAN | NB4 NB8 NOIR/TAN | | |
| N066-57-L30 | 1 | (ILLUST. NO.2) | | | |
| 00 | INT- | NB3 NB5 NB9 BLACK | NB3 NB5 NB9 NOIR | | |
| 21 | INT- | NB4 NB8 BLACK/TAN | NB4 NB8 NOIR/TAN | | |
| 57-631 | | COVER, ANCHOR | COUVERCLE | | |
| NC10-57-631A | 2 | | | | |
| 02 | INT- | NB3 NB5 NB9 BLACK | NB3 NB5 NB9 NOIR | | |
| 21 | INT- | NB4 NB8 TAN | NB4 NB8 TAN | | |
| 57-660 | | BELT, EXTENSION-FRONT SEAT | CEINTURE, EXTENT-SIEGE AV | | |
| FDY5-57-63X | 1 | 9 INCH | 9 INCH | | |
| FDY6-57-63X | 1 | 12 INCH | 12 INCH | | |
| 57-900A | | BELT 'A' (R), FRT SEAT | CEINTURE 'A' (D) AV. | | |
| N066-57-680 | 1 | | | | |
| 00 | INT- | NB3 NB4 NB9 BLACK | NB3 NB4 NB9 NOIR | | |
| 57-920A | | BELT 'A' (L), FRT SEAT | CEINTURE 'A' (G) AV. | | |
| N066-57-620A | 1 | | | | |
| 00 | INT- | NB3 NB4 NB9 BLACK | NB3 NB4 NB9 NOIR | | |

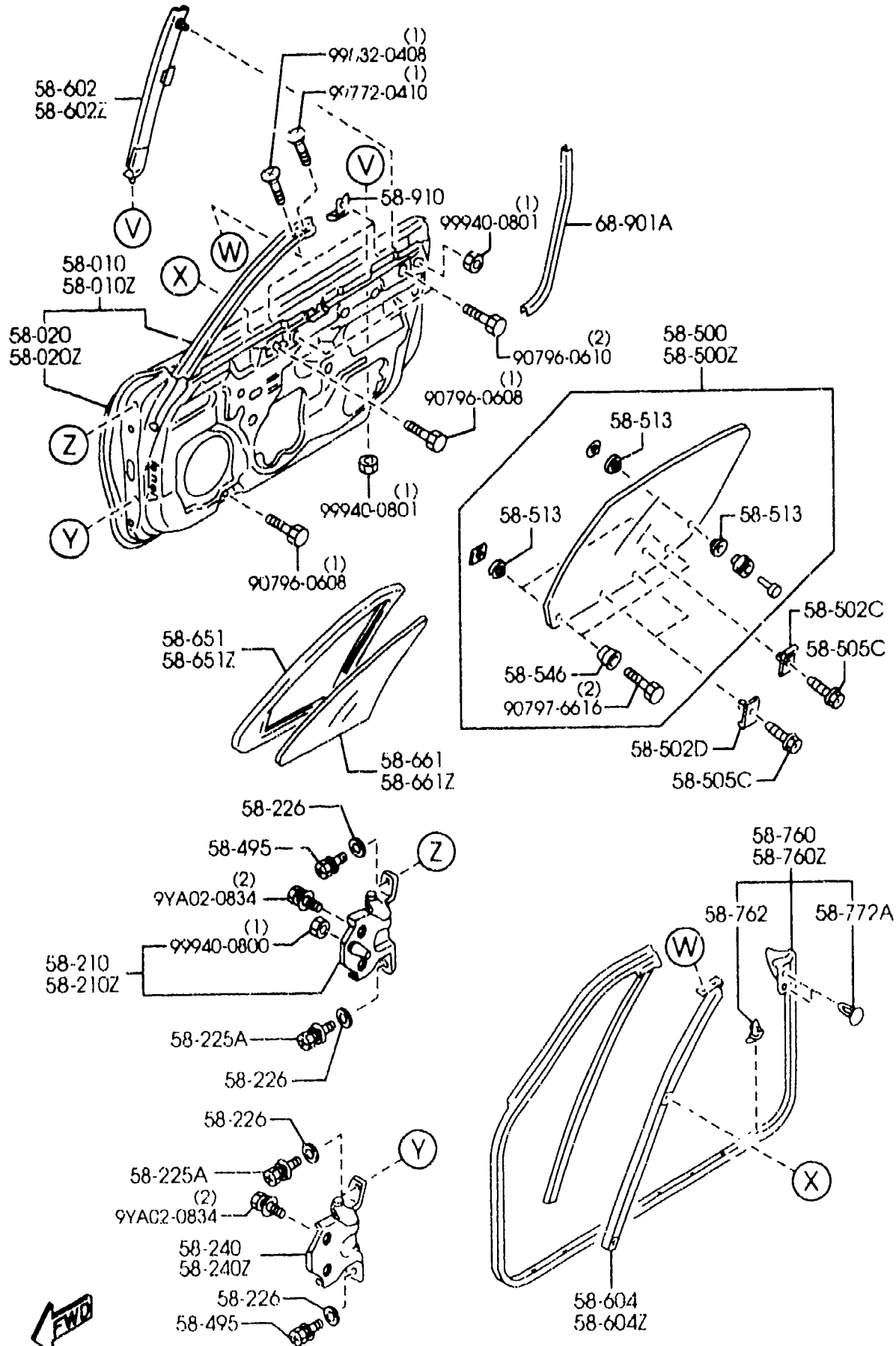




| PART NO. | QTY | MODEL/RESTRICTION | MODEL/RESTRICTION | MODEL/RESTRICTION | FROM-TO |
|--------------|------|------------------------------|-----------------------------|-------------------|---------|
| 57-KX5 | | BRKT,AIR BAG MODULE | CONSOLE,MODULE SAC AIR | | |
| N034-57-KX0A | 1 | | | | |
| 57-K00 | | MODULE,AIR BAG | MODULE,SAC AIR | | |
| B28V-57-K00 | 1 | | | | -1601 |
| B28V-57-K00A | 1 | | | | 1601- |
| 00 | INT- | NB3 NB4 NB5 NB8 NB9 BLACK | NB3 NB4 NB5 NB8 NB9 NOIR | | |
| 57-K1X | | SENSOR,AIR BAG | CAPTEUR,SAC AIR | | |
| N066-57-K1XA | 1 | | | | |
| 57-K3X | | SENSOR,AIR BAG | CAPTEUR,SAC AIR | | |
| N066-57-K3XB | 1 | | | | |
| 57-K30 | | UNIT,SAS | UNITE,CAPTEUR SAC AIR | | |
| N066-57-K30B | 1 | | | | |
| 57-K50 | | MODULE,AIR BAG PASSE | MODULE,SAC AIR-VOYAG | | |
| NC10-57-K70C | 1 | NGER | EUR | | -1401 |
| 02 | INT- | NB3 NB4 NB5 NB8 NB9 BLACK | NB3 NB4 NB5 NB8 NB9 NOIR | | |
| NC10-57-K70D | 1 | | | | 1401- |
| 02 | INT- | NB3 NB4 NB5 NB8 NB9 BLACK | NB3 NB4 NB5 NB8 NB9 NOIR | | |
| 57-K98 | | NUT | ECROU,MODULE SAC AIR | | |
| FC66-57-K98 | 4 | | | | |

1401 NB35**-216419
1601 NB35**-219011

5800A FRONT DOORS

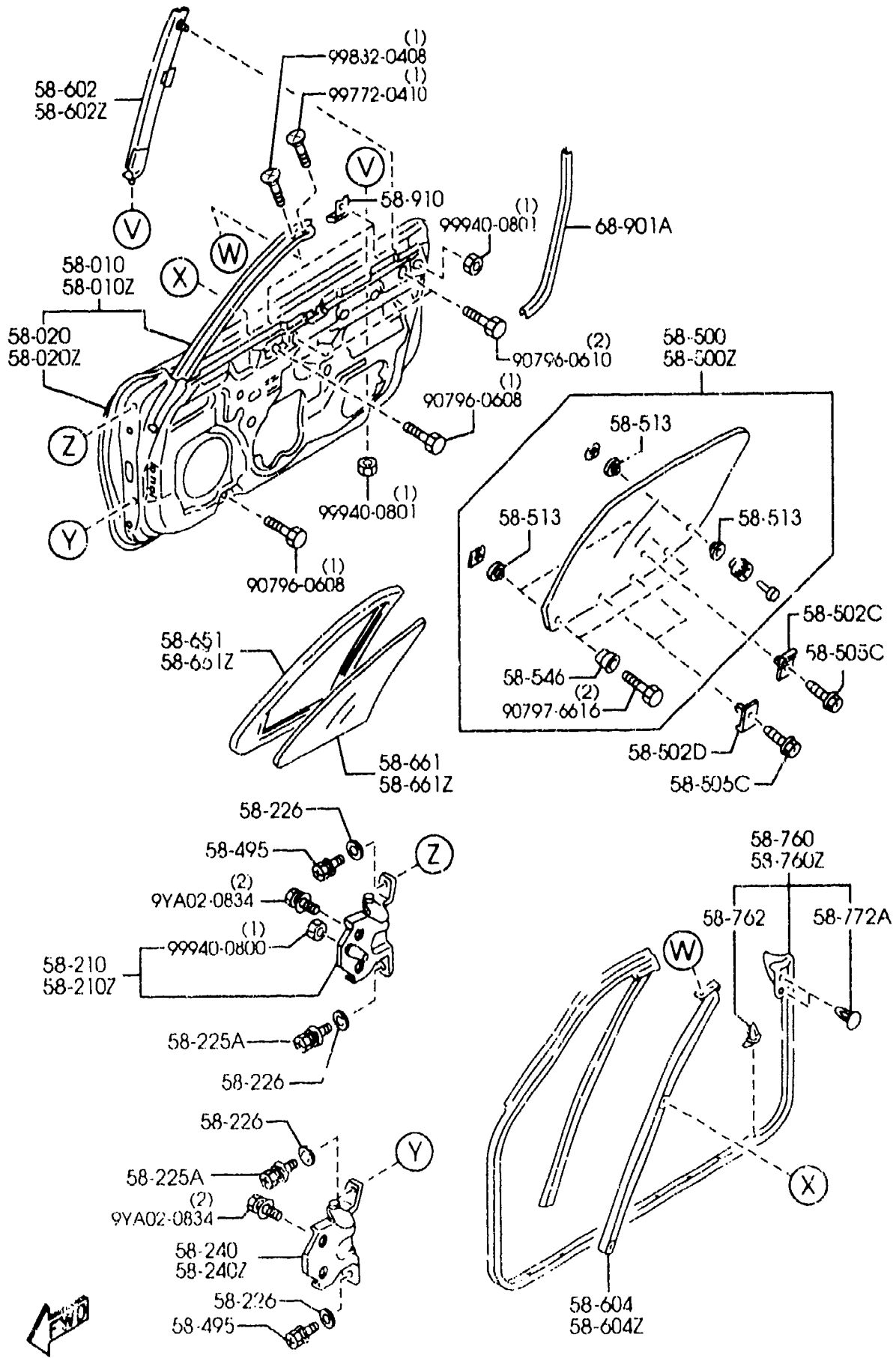


5800A -1 FRONT DOORS

| PART NO. | QTY | MODEL/RESTRICTION | MODEL/RESTRICTION | MODEL/RESTRICTION | FROM-TO |
|--------------|-----|------------------------|--------------------------------|-------------------|---------|
| 58-010 | 1 | BODY(R),FRONT DOOR | PORTE AV,(D) | | |
| NCY2-58-02XC | | | | | |
| 58-010Z | 1 | BODY(L),FRONT DOOR | PORTE AV,(G) | | |
| NCY2-59-02XC | | | | | |
| 58-020 | 1 | PANEL(R),OUT.-FRT DOOR | PANNEAU PORTE (D) | | |
| NC10-58-030F | | | | | |
| 58-020Z | 1 | PANEL(L),OUT.-FRT DOOR | PANNEAU PORTE (G) | | |
| NC10-59-030F | | | | | |
| 58-210 | 1 | HINGE(R),DOOR-UPPER | CHARNIERE SUPERIEURE, PORTE | | |
| DX50-58-210 | | | | | |
| 58-210Z | 1 | HINGE(L),DOOR-UPPER | CHARNIERE SUPERIEURE (G) | | |
| DX50-59-210 | | | | | |
| 58-225A | 4 | BOLT,SETTING | BOULON | | |
| S085-58-225 | | | | | |
| 58-226 | 8 | WASHER,SETTING | RONDELLE DE FIXATION | | |
| GJ21-58-226 | | | | | |
| 58-240 | 1 | HINGE(R),DOOR-LOWER | CHARNIERE INF.(D),PORTE | | |
| DX50-58-240 | | | | | |
| 58-240Z | 1 | HINGE(L),DOOR-LOWER | CHARNIERE (G),PORTE INFERIEURE | | |
| DX50-59-240 | | | | | |
| 58-495 | 4 | BOLT,SET | BOULON,JEU | | |
| JA54-58-225 | | | | | |
| 58-500 | 1 | GLASS(R),DOOR-FRT | GLACE DE PORTE (D) | | |
| NC10-58-510D | | | | | |
| 58-500Z | 1 | GLASS(L),DOOR-FRT | GLACE DE PORTE (G) | | |
| NC10-59-510D | | | | | |
| 58-502C | 2 | GROMMET,SCREW | ANNEAU | | |
| B235-58-502 | | | | | |

5800A FRONT DOORS

5800A -2 FRONT DOORS



| PART NO. | QTY | MODEL/RESTRICTION | MODEL/RESTRICTION | MODEL/RESTRICTION | FROM-TO |
|-------------------------|-----|----------------------------|----------------------------|-------------------|---------|
| 58-502D UB39-58-502A | 4 | GROMMET, SCREW-DOOR GLASS | VIROLE, VIS-SERRURE PORTE | | |
| 58-505C R092-58-505 | 6 | SCREW, WINDOW REGULATOR | VIS, REGULATEUR FENETRE | | |
| 58-513 NA01-58-523 | 8 | WASHER | RONDELLE | | |
| 58-546 H001-58-546 | 6 | STOPPER, DOOR GLASS-FRONT | RAQUET PORTIERE GLACE-AV. | | |
| 58-602 NA01-58-603D | 1 | GUIDE 'B' (R), GLASS | GUIDE 'B' (D), GLACE | | |
| 58-602Z NA01-59-603D | 1 | GUIDE 'B' (L), GLASS | GUIDE 'B' (G), GLACE | | |
| 58-604 NC10-58-604 | 1 | CHANNEL (R), DIVISION-DOOR | RIGOLE (D), DIVISION-PORTE | | |
| 58-604Z NC10-59-604 | 1 | CHANNEL (L), DIVISION-DOOR | RIGOLE (G), DIVISION-PORTE | | |
| 58-651 NA01-58-651B | 1 | WEATHERSTRIP (R) | JOINT CAOUTCHOUC (D) | | |
| 58-651Z NA01-59-651B | 1 | WEATHERSTRIP (L) | JOINT CAOUTCHOUC (G) | | |
| 58-661 NB39-58-661A | 1 | GLASS (R), VENTILATOR | VERRE, AERATEUR | | |
| 58-661Z NB39-59-661A | 1 | GLASS (L), VENTILATOR | VERRE (G), AERATEUR | | |
| 58-760 NC10-58-760F | 1 | WEATHERSTRIP (R), DOOR | JOINT C.T.C. (D), PAVILLON | | |
| 58-760Z NC10-59-760F | 1 | WEATHERSTRIP (L), DOOR | JOINT CAOUTCHOUC (G), POR | | |

AUNA08

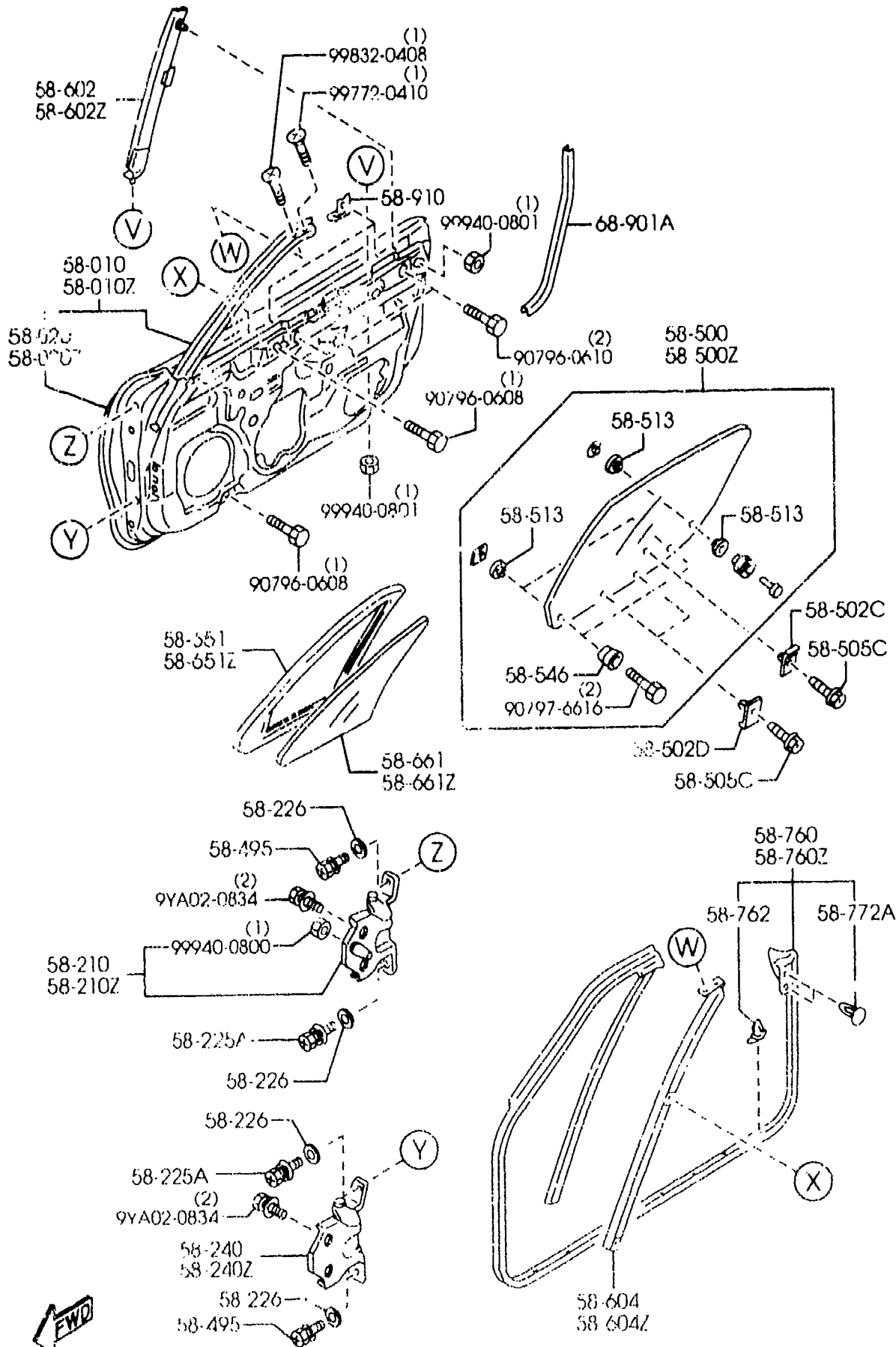
(1N11530)

CAT. AUNA08-04

2001-12

2-K10

5800A FRONT DOORS



| PART NO. | QTY | MODEL/RESTRICTION | MODEL/RESTRICTION | MODEL/RESTRICTION | FROM-TO |
|--------------|------|--------------------------|----------------------|-------------------|---------|
| 58-762 | | FASTENER | AGRAFE | | |
| BC10-58-762 | 36 | | | | |
| 58-772A | | FASTENER | AGRAFE | | |
| 1011-58-772 | 4 | | | | |
| 58-910 | | STOPPER, GLASS | TAQUET, GLACE | | |
| J002-58-910A | 4 | | | | |
| 68-901A | | WELT(R), SEAMING | CACHE-COUTURE | | |
| NC10-68-911 | 2 | | | | |
| 00 | INT- | NB3 NB4 NB5 NB8 BLACK | NB3 NB4 NB5 NB8 NOIR | | |

AWA

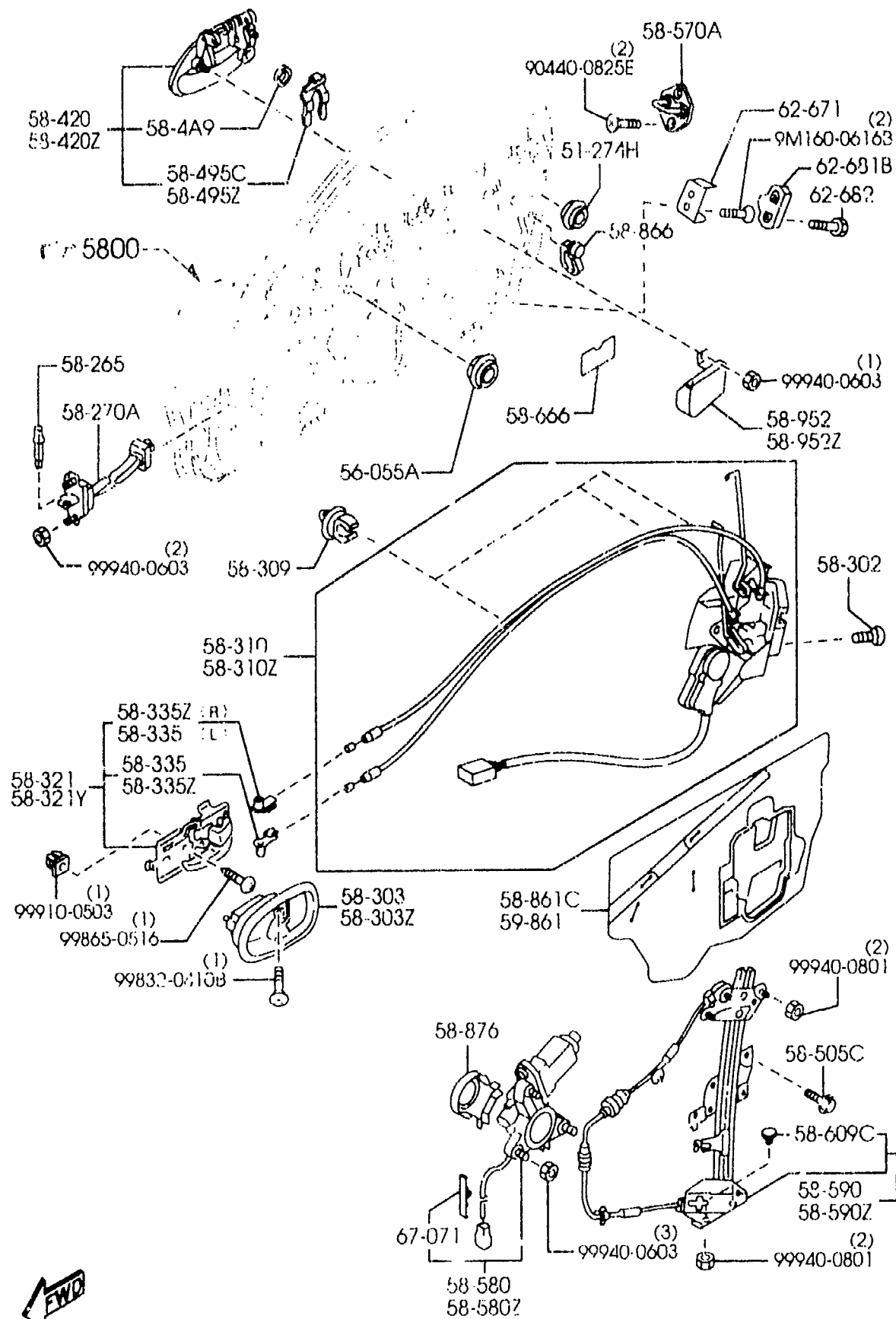
1N11530

CAT. AUNA08-04

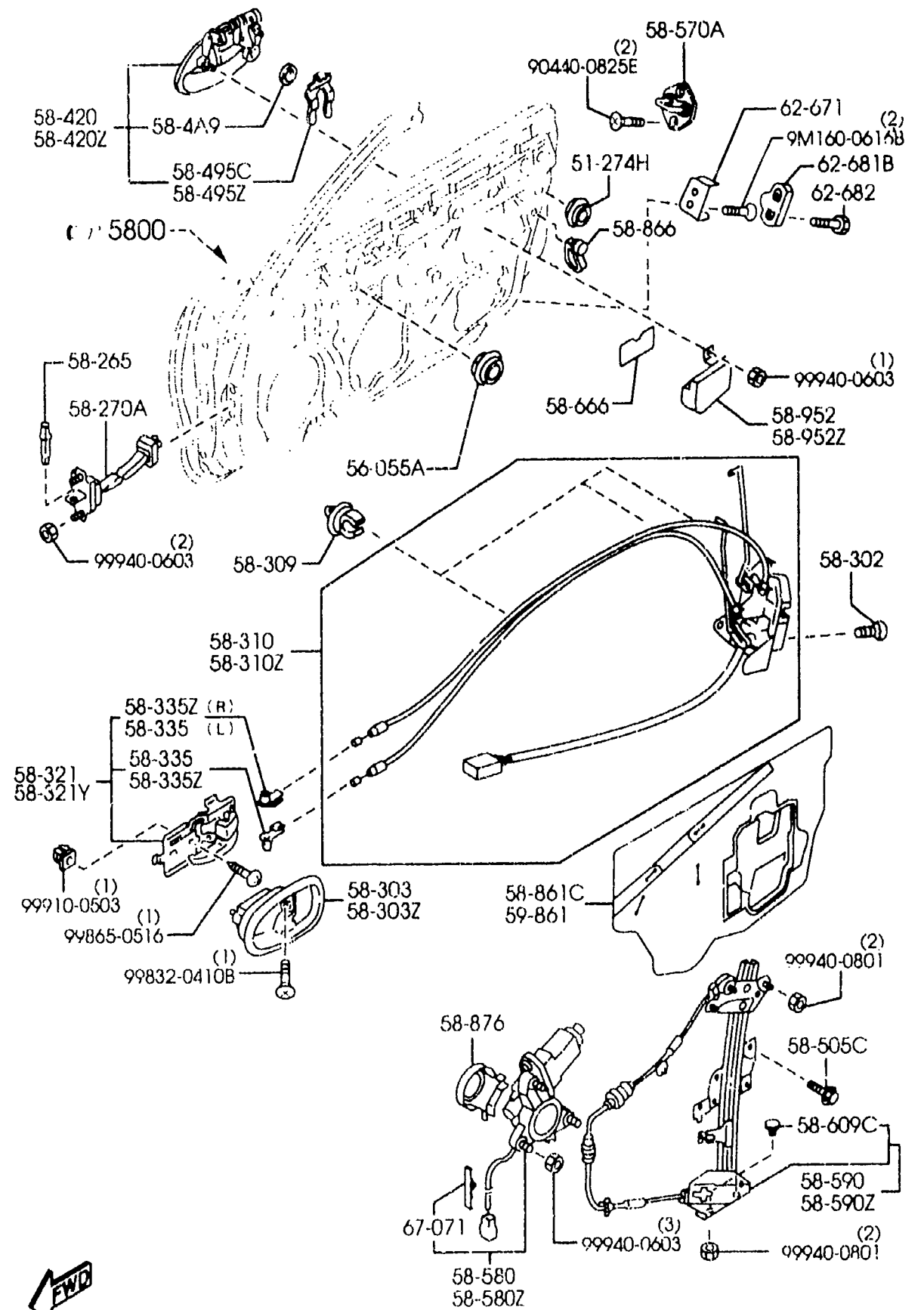
2001-12

2-L10

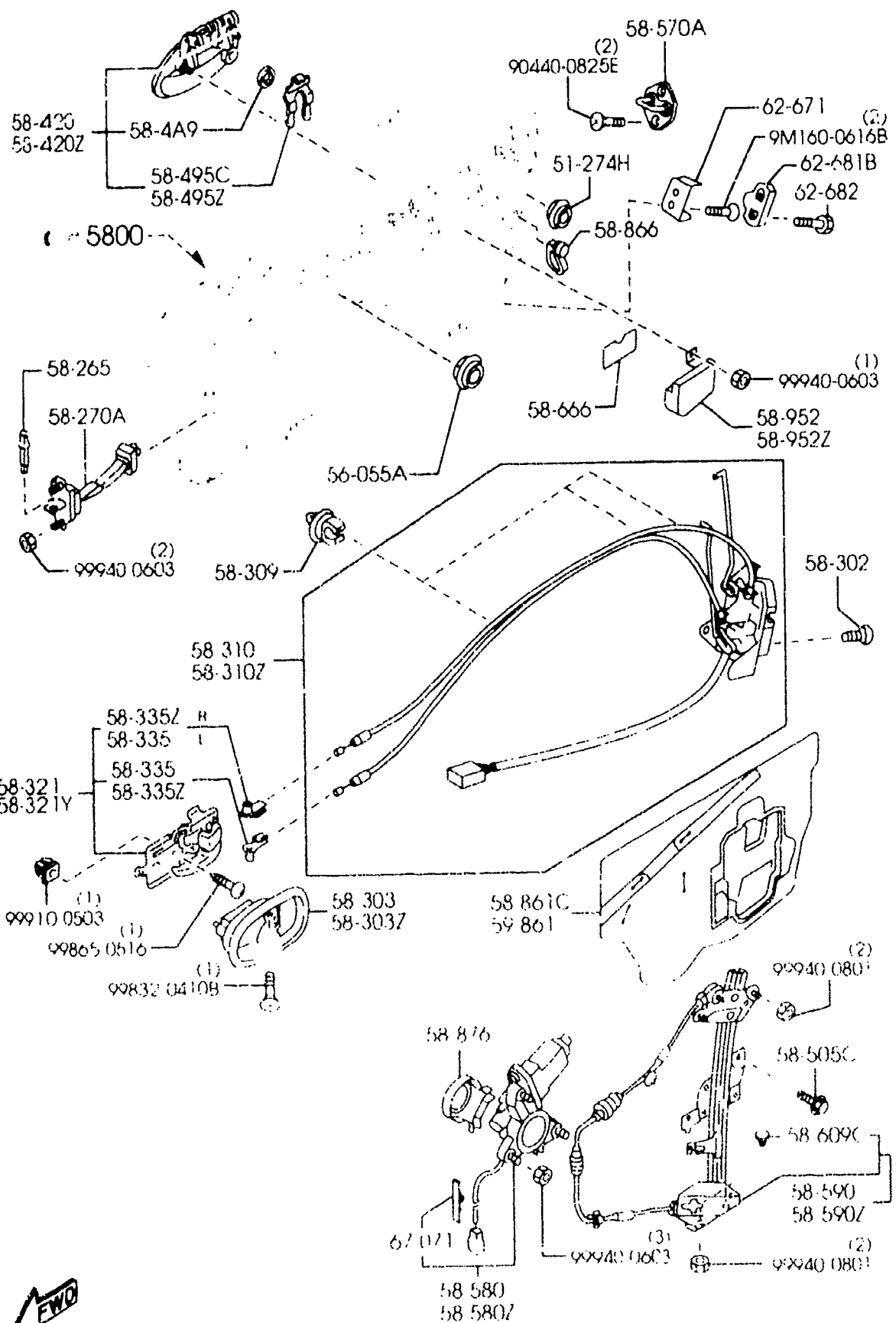
(W/POWER DOOR LOCK)



(W/O POWER DOOR LOCK)



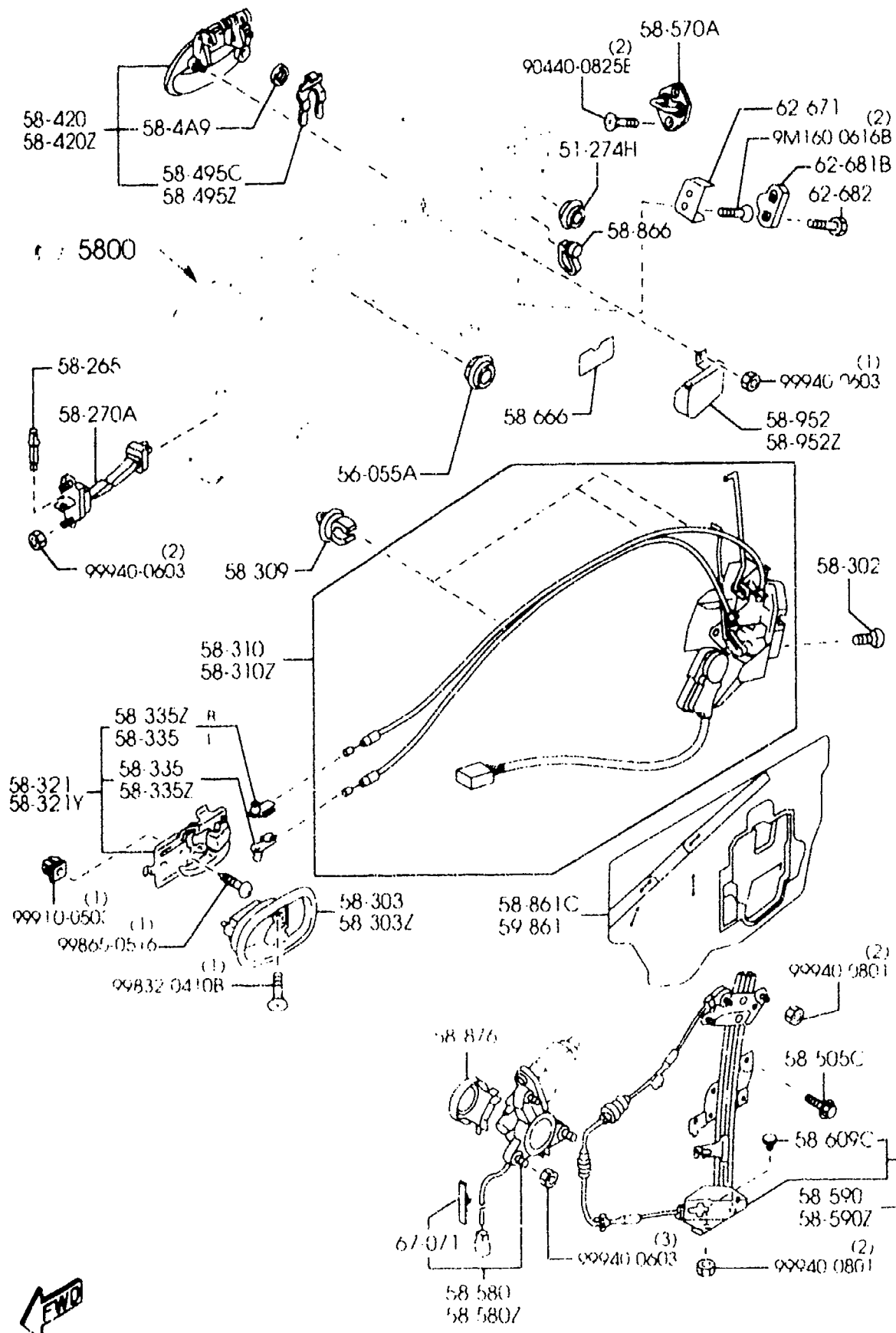
(W/O POWER DOOR LOCK)



| PART NO. | QTY | MODEL/RESTRICTION | MODEL/RESTRICTION | MODEL/RESTRICTION | FROM-TO |
|------------------|------|---|---|-------------------|-----------|
| CONT'D | | | | | |
| A (NC72-59-310C) | | | | | |
| NC73-59-310C | 1 | (W/POWER DOOR LOCK) | | | 0724-0C11 |
| A (NC73-59-310D) | | | | | |
| NC72-59-310C | 1 | (W/O POWER DOOR LOCK) | | | 0C11- |
| NC73-59-310D | 1 | (W/POWER DOOR LOCK) | | | 0C11- |
| 58-321 | | HANDLE(R), INNER | POIGNEE INTERIEURE (D) | | |
| N067-58-330E | 1 | ((W/O A. LOCK BRAKE) >(SPORT SUSP) >(W/A. LOCK BRAKE) | ((S/SYST ANTIBLOC)>(SUSP. SPORTIVE) >(SYST ANTIBLOC) | | |
| N066-58-330 | 1 | ((W/O A. LOCK BRAKE) >(NOR. SUSP) >(W/O A. LOCK BRAKE) >(HARD SUSP) | ((S/SYST ANTIBLOC)>(SUSP.NRML) >(S/SYST ANTIBLOC)>(SUSP.FERM) | | -0801 |
| 02 | INT- | NB3 NB4 NB5 BLACK | NB3 NB4 NB5 NOIR | | |
| N066-58-330A | 1 | ((W/O A. LOCK BRAKE) >(NOR. SUSP) >(W/O A. LOCK BRAKE) >(HARD SUSP) | ((S/SYST ANTIBLOC)>(SUSP.NRML) >(S/SYST ANTIBLOC)>(SUSP.FERM) | | 0801- |
| 02 | INT- | NB3 NB4 NB5 NB8 BLACK | NB3 NB4 NB5 NB8 NOIR | | |
| 58-321Y | | HANDLE(L), INNER | POIGNEE INTERIEURE (G) | | |
| N067-59-330E | 1 | ((W/O A. LOCK BRAKE) >(SPORT SUSP) >(W/A. LOCK BRAKE) | ((S/SYST ANTIBLOC)>(SUSP. SPORTIVE) >(SYST ANTIBLOC) | | |
| N066-59-330 | 1 | ((W/O A. LOCK BRAKE) >(NOR. SUSP) >(W/O A. LOCK BRAKE) >(HARD SUSP) | ((S/SYST ANTIBLOC)>(SUSP.NRML) >(S/SYST ANTIBLOC)>(SUSP.FERM) | | -0801 |
| 02 | INT- | NB3 NB4 NB5 BLACK | NB3 NB4 NB5 NOIR | | |
| N066-59-330A | 1 | ((W/O A. LOCK BRAKE) >(NOR. SUSP) >(W/O A. LOCK BRAKE) >(HARD SUSP) | ((S/SYST ANTIBLOC)>(SUSP.NRML) >(S/SYST ANTIBLOC)>(SUSP.FERM) | | 0801- |
| 02 | INT- | NB3 NB4 NB5 NB8 BLACK | NB3 NB4 NB5 NB8 NOIR | | |
| 58-335 | | CLIP(R), INNER HANDLE | PINCE(D), MANETTE INTERIEU | | |
| N066-58-335 | 2 | | | | |
| 58-335Z | | CLIP(L), INNER HANDLE | PINCE'G', MANETTE INTERIEU | | |
| N066-59-335 | 2 | | | | |
| 58-4A9 | | PLUG, OUTER HANDLE | TAMPON, LEVIER EXTERIEUR | | |
| HG30-58-4A9 | 2 | | | | |

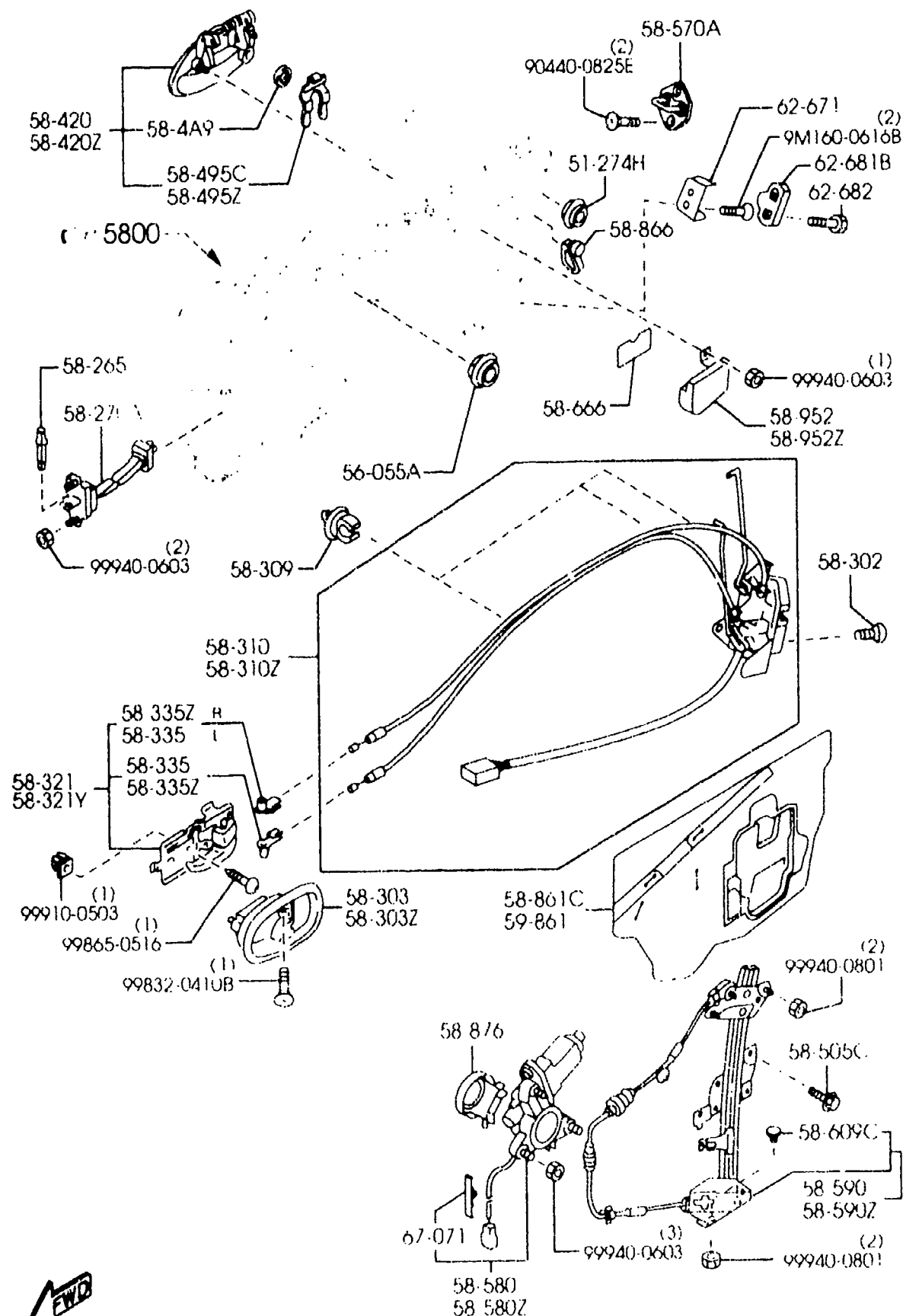
0724 NB35** -200122
 0801 NB35** -200666
 0C11 NB35** -207679

(W/POWER DOOR LOCK)



| PART NO. | QTY | MODEL/RESTRICTION | MODEL/RESTRICTION | MODEL/RESTRICTION | FROM-TO |
|--|------|-----------------------|--------------------------|-------------------|-----------|
| 58-420 | 1 | HANDLE(R), OUTER | POIGNEE EXTERIEURE (D) | | -1406 |
| GASR-58-410F | 1 | | | | |
| HZ | EXT- | HZ SUNBURST YELLOW | HZ JAUNE BRULE | | |
| PZ | EXT- | A3F BRILLIANT BLACK | A3F NOIR BRILLIANT | | |
| SU | EXT- | A3E CLASSIC RED | A3E ROUGE CLASSIQUE | | -0801 |
| 08 | EXT- | 16W BLACK MC | 16W NOIR METALLISE | | |
| 09 | EXT- | A3D PURE WHITE | A3D BLANC PURE | | |
| 10 | EXT- | A3E CLASSIC RED CLE | A3E ROUGE ETERNEL | | 0801-1406 |
| 47 | EXT- | 18J SPACE GREEN MC | 18J VERT ESPACE MC | | |
| 50 | EXT- | 22A SUPREM BLUE MC | 22A BLEU SUPREME METALLI | | |
| 51 | EXT- | 23C CRYSTAL BLUE | 23C BLEU CRISTAL | | |
| 55 | EXT- | A3V NEO GREEN CLE | A3V NEO-VERT CLAIR | | |
| 61 | EXT- | 24A STARRY BLUE MC | 24A BLUE ETOILE MICA | | |
| 68 | EXT- | 22V SUNLIGHT SILVER M | 22V ARGENT LUMIERE SOLEI | | |
| GASR-58-410G | 1 | | | | 1406- |
| HZ | EXT- | HZ SUNBURST YELLOW | HZ JAUNE BRULE | | |
| PZ | EXT- | A3F BRILLIANT BLACK | A3F NOIR BRILLIANT | | |
| 08 | EXT- | 16W BLACK MC | 16W NOIR METALLISE | | |
| 09 | EXT- | A3D PURE WHITE | A3D BLANC PURE | | |
| 10 | EXT- | A3E CLASSIC RED CLE | A3E ROUGE ETERNEL | | |
| 47 | EXT- | 18J SPACE GREEN MC | 18J VERT ESPACE MC | | |
| 50 | EXT- | 22A SUPREM BLUE MC | 22A BLEU SUPREME METALLI | | |
| 51 | EXT- | 23C CRYSTAL BLUE | 23C BLEU CRISTAL | | |
| 55 | EXT- | A3V NEO GREEN CLE | A3V NEO-VERT CLAIR | | |
| 61 | EXT- | 24A STARRY BLUE MC | 24A BLUE ETOILE MICA | | |
| 68 | EXT- | 22V SUNLIGHT SILVER M | 22V ARGENT LUMIERE SOLEI | | |
| 76 | EXT- | 26S BLAZING YELLOW MC | 26S JAUNE DE FLAMBAGE MI | | |
| 58-420Z | 1 | HANDLE(L), OUTER | POIGNEE EXTERIEURE (G) | | -1406 |
| EA01-59-410F | 1 | | | | |
| HZ | EXT- | HZ SUNBURST YELLOW | HZ JAUNE BRULE | | |
| PZ | EXT- | A3F BRILLIANT BLACK | A3F NOIR BRILLIANT | | |
| 0801 NB35**-206344 1406 NB35**-216714 | | | | | |

(W/O POWER DOOR LOCK)



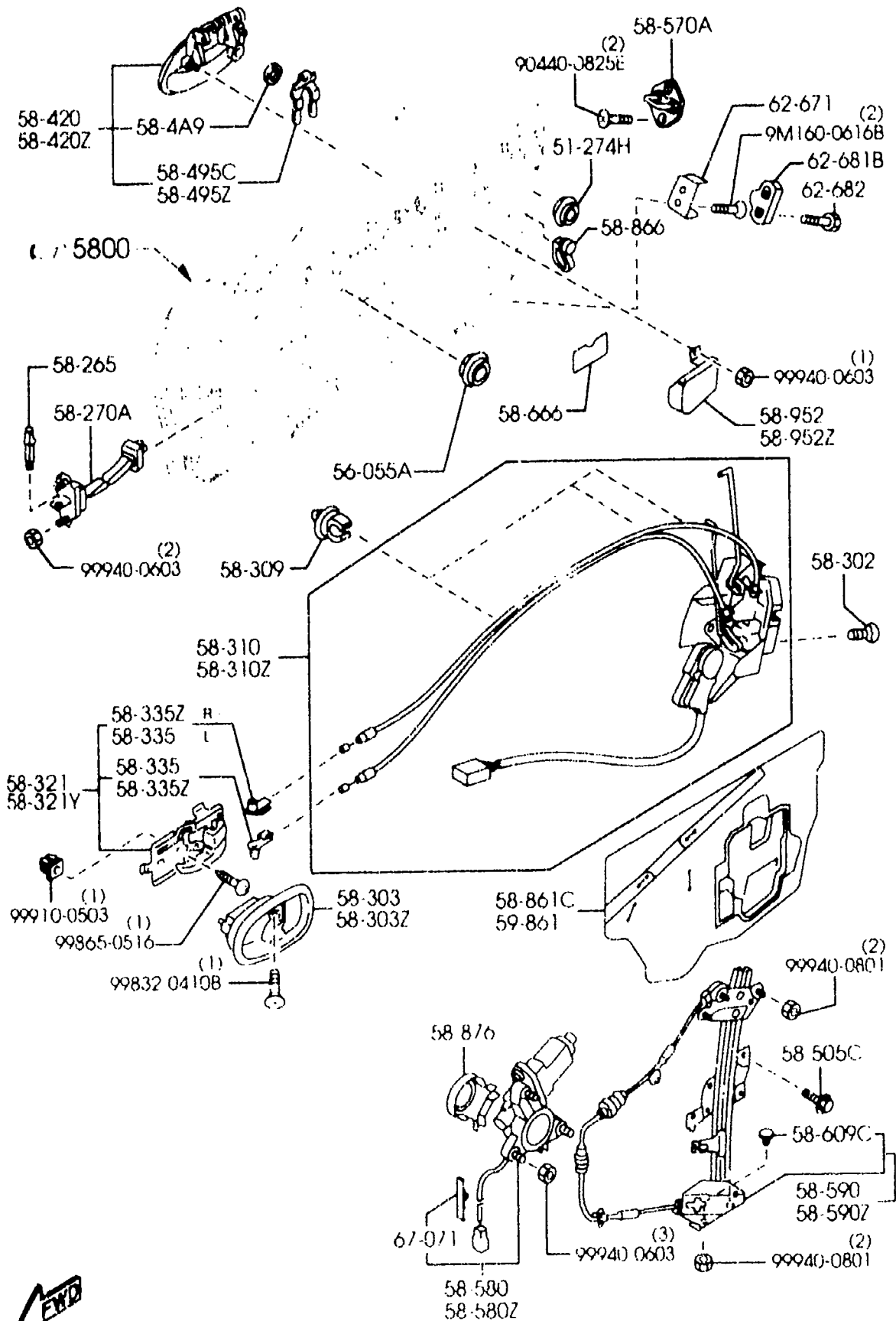
| PART NO. | QTY | MODEL/RESTRICTION | MODEL/RESTRICTION | MODEL/RESTRICTION | FROM-TO |
|--------------|------|----------------------------|--------------------------|-------------------|-----------|
| CONT'D | | | | | |
| SU | EXT- | A3E CLASSIC RED | A3E ROUGE CLASSIQUE | | -0801 |
| 08 | EXT- | 16W BLACK MC | 16W NOIR METALLISE | | |
| 09 | EXT- | A3D PURE WHITE | A3D BLANC PURE | | |
| 10 | EXT- | A3E CLASSIC RED CLE | A3E ROUGE ETERNEL | | 0801-1406 |
| 47 | EXT- | 18J SPACE GREEN MC | 18J VERT ESPACE MC | | |
| 50 | EXT- | 22A SUPREM BLUE MC | 22A BLEU SUPREME METALLI | | |
| 51 | EXT- | 23C CRYSTAL BLUE M. | 23C BLEU CRYSTAL METALLI | | |
| 55 | EXT- | A3V NEO GREEN CLE | A3V NEO-VERT CLAIR | | |
| 61 | EXT- | 24A STARRY BLUE MC | 24A BLUE ETOILE MICA | | |
| 68 | EXT- | 22V SUNLIGHT SILVER M | 22V ARGENT LUMIERE SOLEI | | |
| EA01-59-410G | 1 | | | | 1406- |
| HZ | EXT- | HZ SUNBURST YELLOW | HZ JAUNE BRULE | | |
| PZ | EXT- | A3F BRILLIANT BLACK | A3F NOIR BRILLIANT | | |
| 08 | EXT- | 16W BLACK MC | 16W NOIR METALLISE | | |
| 09 | EXT- | A3D PURE WHITE | A3D BLANC PURE | | |
| 10 | EXT- | A3E CLASSIC RED CLE | A3E ROUGE ETEPNEL | | |
| 47 | EXT- | 18J SPACE GREEN MC | 18J VERT ESPACE MC | | |
| 50 | EXT- | 22A SUPREM BLUE MC | 22A BLEU SUPREME METALLI | | |
| 51 | EXT- | 23C CRYSTAL BLUE M. | 23C BLEU CRYSTAL METALLI | | |
| 55 | EXT- | A3V NEO GREEN CLE | A3V NEO-VERT CLAIR | | |
| 61 | EXT- | 24A STARRY BLUE MC | 24A BLUE ETOILE MICA | | |
| 68 | EXT- | 22V SUNLIGHT SILVER M | 22V ARGENT LUMIERE SOLEI | | |
| 76 | EXT- | 26S BLAZING YELLOW MC | 26S JAUNE DE FLAMBAGE MI | | |
| GT2G-58-495 | 1 | RETAINER(R), LOCK CYLINDER | ARRET(D), CYLINDRE BLOCC | | |
| GT2G-59-495 | 1 | RETAINER(L), LOCK CYLINDER | ARRET(G), CYLINDRE BLOCC | | |
| 8092-58-505 | 6 | SCREW, WINDOW REGULATOR | VIS, REGULATEUR FENETRE | | |

0801 NB35**-206344
1406 NB35**-216714

5830A FRONT DOOR MECHANISMS

(1/2)

(W/POWER DOOR LOCK)



5830A -5 FRONT DOOR MECHANISMS

| PART NO. | QTY | MODEL/RESTRICTION | MODEL/RESTRICTION | MODEL/RESTRICTION | FROM-TO |
|---|-----|--|-----------------------|-------------------|---------|
| 58-570A FD01-58-361 | 2 | STRIKER | GACHE | | |
| 58-580 NC11-58-58XA | 1 | MOTOR(R), WINDOW | MOTEUR(D), LEVE-GLACE | | |
| 58-580Z NC11-59-58XA | 1 | MOTOR(L), WINDOW | MOTEUR(G), LEVE-GLACE | | |
| 58-590 NC11-58-590F | 1 | ARM/BASE(R), WINDOW | BASE(D)MANIVELLE | | |
| 58-590Z NC11-59-590F | 1 | ARM/BASE(L), WINDOW | BASE(G)MANIVELLE | | |
| 58-609C NA01-58-609A | 4 | BOLT | BOULON | | |
| 58-666 N066-58-862 | 1 | SHEET | TOLE | | |
| 58-861C N066-58-861C A (N066-58-861D) | 1 | SCREEN(R), FRONT DOOR | ECRAN(D), PORTE AV | | -1301 |
| N067-58-861C A (N067-58-861D) | 1 | (FOR 4-SPEAKER(BOSE)) | | | -1301 |
| N066-58-861D | 1 | (FOR 2-SPEAKER) (FOR 4-SPEAKER(STD.)) | | | 1301- |
| N067-58-861D | 1 | (FOR 4-SPEAKER(BOSE)) | | | 1301- |
| 58-866 B038-58-866 | 2 | CLIP | ATTACHE | | |
| 58-876 NC11-58-562 | 2 | COVER, SERVICE | CHAPEAU | | |
| 58-952 NC10-58-960C | 1 | PAD(R) | FIBRANNE(D) | | |
| 1301 NB35** -213465 | | | | | |

AUNA08

1N06630

CAT. AUNA08-04

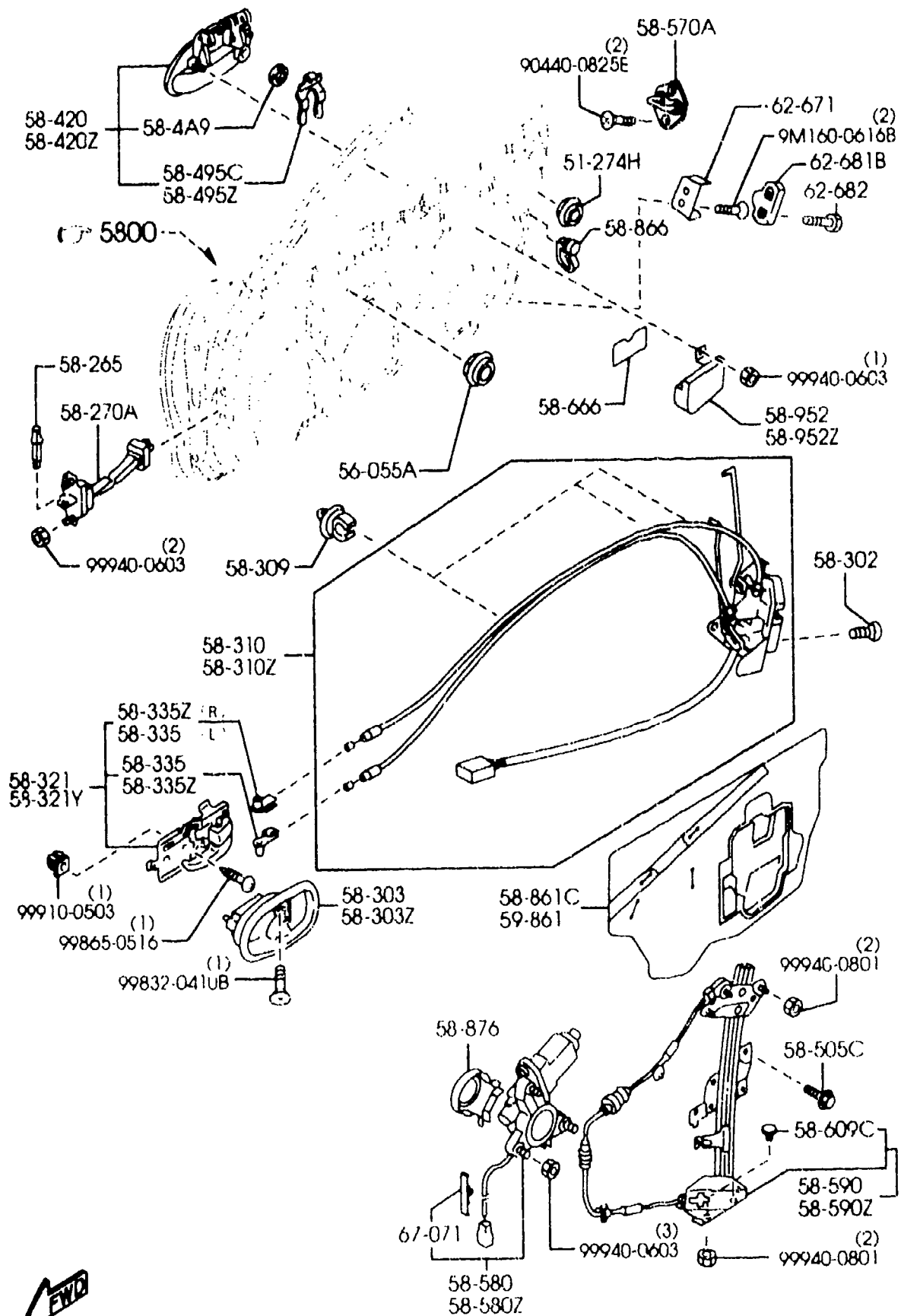
2001-12

2-F11

5830A FRONT DOOR MECHANISMS

(2/2)

(W/O POWER DOOR LOCK)



5830A -6 * FRONT DOOR MECHANISMS

| PART NO. | QTY | MODEL/RESTRICTION | MODEL/RESTRICTION | MODEL/RESTRICTION | FROM-TO |
|--|-----|---|--------------------------------|-------------------|---------|
| 58-952Z NC10-59-960C | 1 | PAD(L) | FIBRANNE(G) | | |
| 59-861 N066-59-861D A (N066-59-861E) | 1 | SCREEN(L), FRONT DOOR (FOR 2-SPEAKER) (FOR 4-SPEAKER(STD.)) | ECRAN(D), PORTE AVANT | | -1301 |
| N067-59-861D A (N067-59-861E) | 1 | (FOR 4-SPEAKER(BOSE)) | | | -1301 |
| N066-59-861E | 1 | (FOR 2-SPEAKER) (FOR 4-SPEAKER(STD.)) | | | 1301- |
| N067-59-861E | 1 | (FOR 4-SPEAKER(BOSE)) | | | 1301- |
| 62-671 S084-62-671A | 2 | DOVETAIL, LIFT GATE | QUEUF-D'ARONDE, HAYON AR | | |
| 62-681B NA01-62-681 | 2 | WEDGE, DOOR-FRONT | CALE, PORTIER-AV | | |
| 62-682 B216-62-682 | 4 | SCREW, WEDGE-LIFT GATE | VIS, CALE-BARRIERE BA SCULE | | |
| 67-071 B111-67-C99 | 2 | CLIP | CLIP | | |
| 1301 NB35**-213465 | | | | | |

AUNA08

(1N06630)

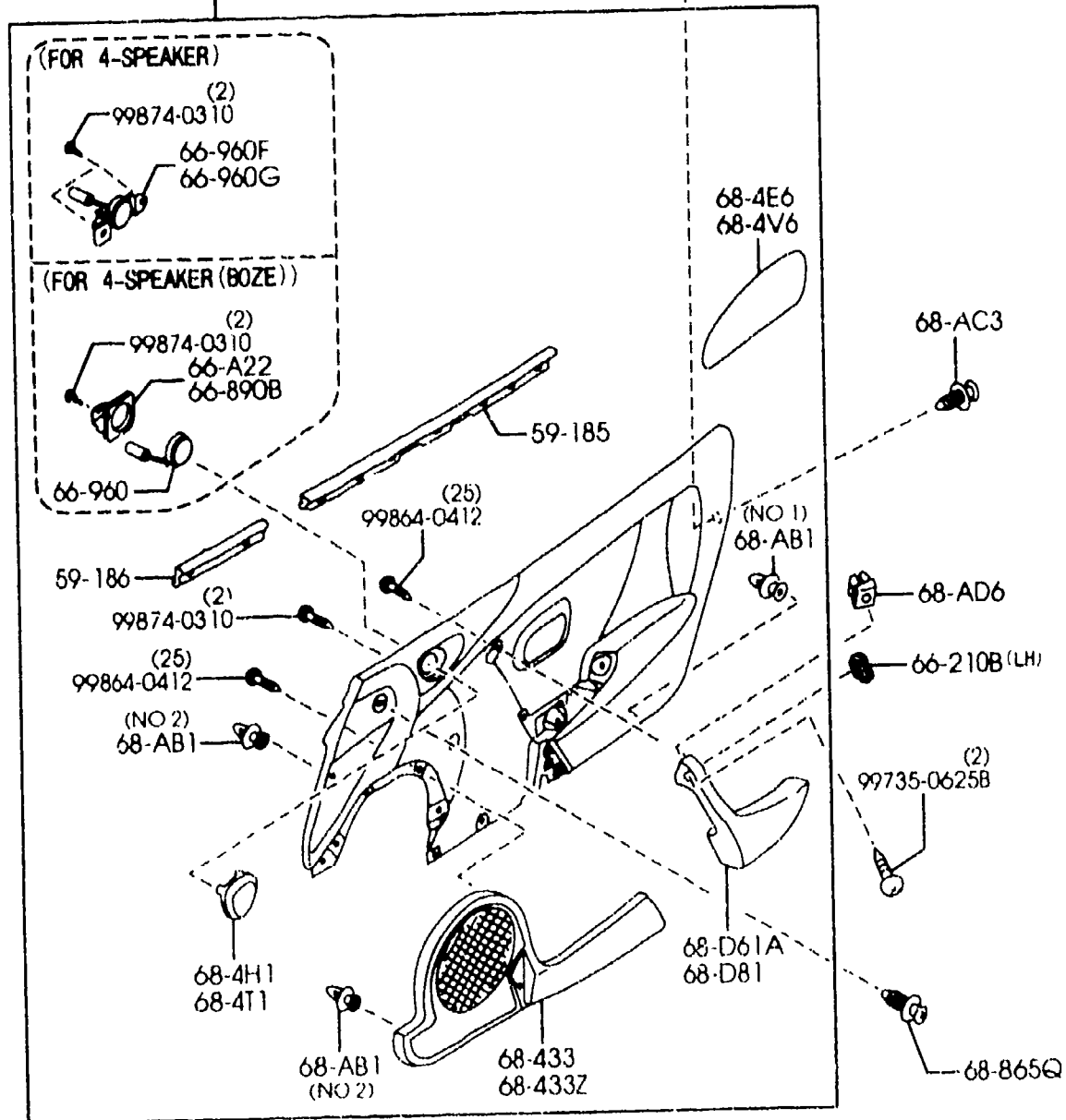
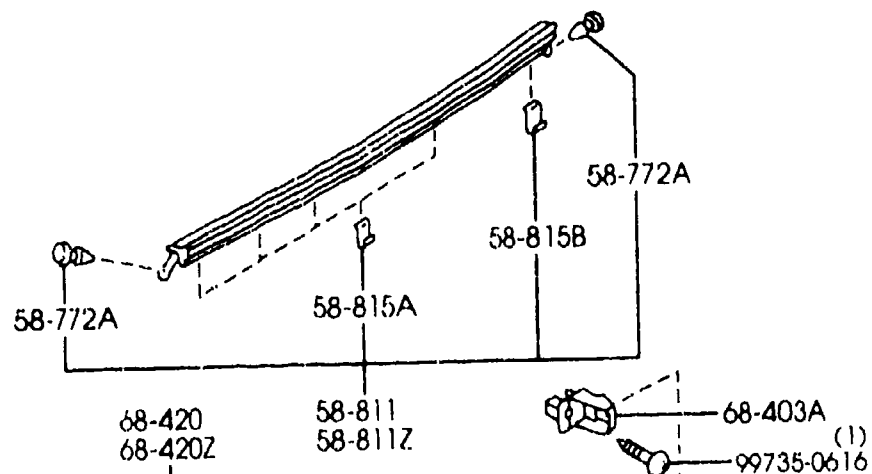
CAT. AUNA08-04

2001-12

2-G11

5340A FRONT DOOR TRIMS & RELATED PARTS

5840A -1 FRONT DOOR TRIMS & RELATED PARTS



| PART NO. | QTY | MODEL/RESTRICTION | MODEL/RESTRICTION | MODEL/RESTRICTION | FROM-TO |
|--------------|------|---------------------------|----------------------------|-------------------|---------|
| 58-772A | | FASTENER | AGRAFE | | |
| 1011-58-772 | 4 | | | | |
| 58-811 | | WEATHERSTRIP(R),OUT. | PROFILE D'ETANCH.EXT (D) | | |
| NA01-58-810D | 1 | | | | |
| 58-811Z | | WEATHERSTRIP(L),OUT. | PROFILE D'ETANCH.EXT (G) | | |
| NA01-58-810D | 1 | | | | |
| 58-815A | | CLIP,WEATHERSTRIP-OUTER | ATTACHE,BOURRELET ET A-EXT | | |
| NA01-58-815 | 8 | | | | |
| 58-815B | | CLIP 'A',WEATHERSTRIP-OUT | PINCE 'A',RESISTANT INTEMP | | |
| B157-58-815 | 2 | | | | |
| 59-185 | | WEATHERSTRIP NO.1 | PROFILE D'ETANCH.NO 1 | | |
| NA01-58-821A | 2 | | | | |
| 59-186 | | WEATHERSTRIP NO.2 | PROFILE D'ETANCH.NO 2 | | |
| NC11-58-821 | 2 | | | | |
| 66-A22 | | BRACKET,AMP | SUPPORT,AMP. | | |
| NC12-66-982A | 1 | (FOR 4-SPEAKER(BOSE)) | | | |
| 66-210B | | SWITCH,DOOR LOCK | INTERR.DE VERROUILLAGE, | | |
| NC72-66-660 | 1 | (W/POWER DOOR LOCK) | | | |
| 02 | INT- | NB3 NB5 BLACK | NB3 NB5 NOIR | | |
| 21 | INT- | NB4 NB8 TAN | NB4 NB8 TAN | | |
| 66-890B | | BRACKET | SUPPORT | | |
| NC12-66-981A | 1 | (FOR 4-SPEAKER(BOSE)) | | | |
| 66-960 | | SPEAKER,LOUD-FRONT | HAUT PARLEUR | | |
| NC12-66-960 | 2 | (FOR 4-SPEAKER(BOSE)) | | | |
| 66-960F | | SPEAKER(R),LOUD-FRT | PARLEUR(D),HAUT-AVANT | | |
| NC23-66-96X | 1 | (FOR 4-SPEAKER) | | | |



(IN11670)

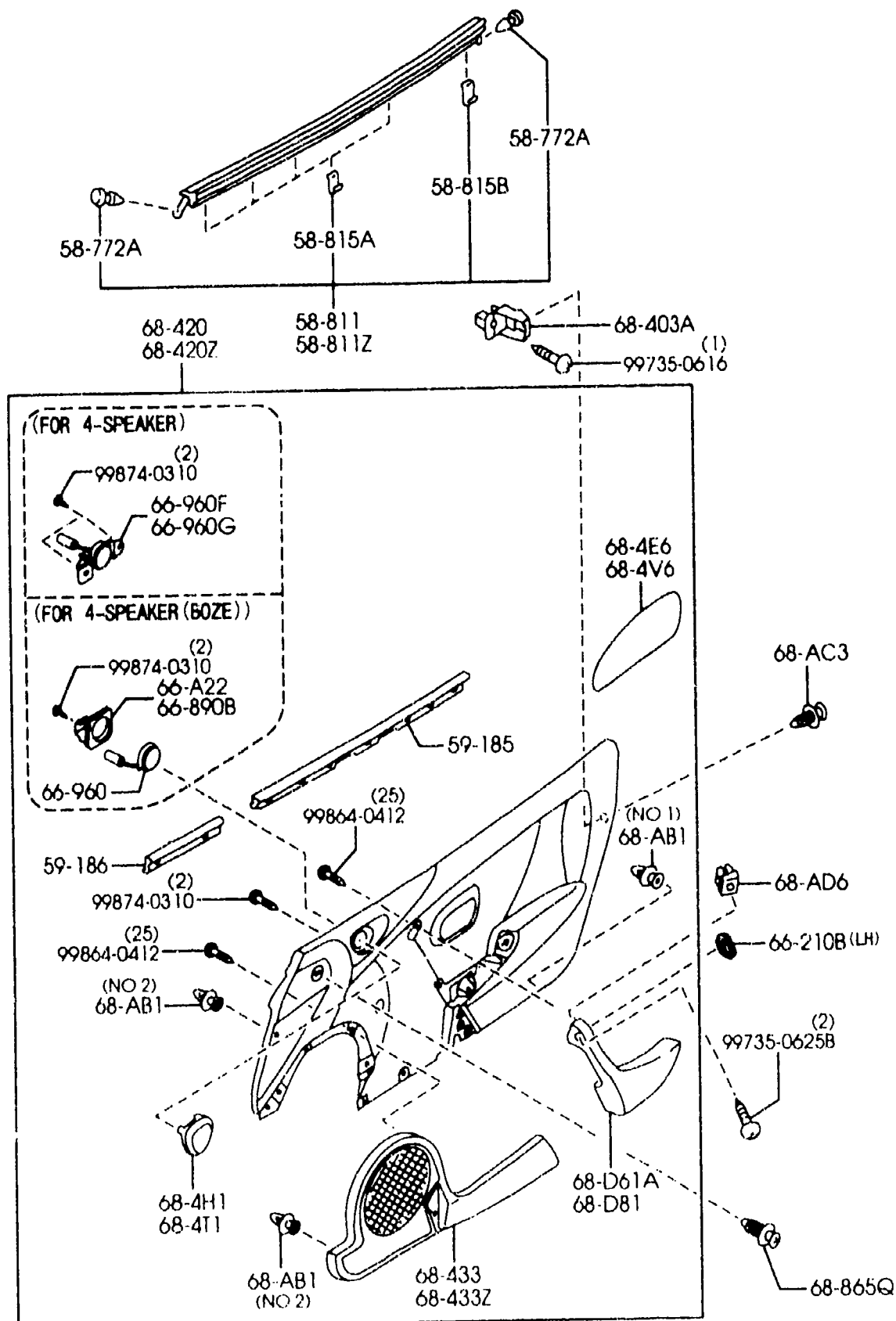
CAT. AUNA08-04

2001-12

2-H11

5840A FRONT DOOR TRIMS & RELATED PARTS

5840A -2 FRONT DOOR TRIMS & RELATED PARTS



| PART NO. | QTY | MODEL/RESTRICTION | MODEL/RESTRICTION | MODEL/RESTRICTION | FROM-TO |
|---------------------------------------|---|---|-------------------------|-------------------|---------|
| 66-960G NC23-66-96Y | 1 | SPEAKER(L), LOUD-FRONT (FOR 4-SPEAKER) | PARLEUR(G), HAUT-AVANT | | |
| 68-AB1 N066-68-ABX 6A2A-68-AB1A | 8 (ILLUST. NO.2) 4 (ILLUST. NO.1) | FASTENER | AGRAFE | | |
| 68-AC3 B467-68-AC3 | 4 | FASTENER | AGRAFE | | |
| 02 | INT- | NB3 BLACK | NB3 NOIR | | |
| 21 | INT- | NB4 N88 TAN | NB4 N88 TAN | | |
| 68-AD6 B481-68-AD6 N066-68-AD6 | 4 4 | GROMMET, SCREW | PROTECTEUR, VIS | | |
| 68-D61A N066-68-D71B | 1 | HANDLE(R), PULL-FRT | POIGNEE(D), TRACTION-AV | | |
| 02 | INT- | NB3 NB5 BLACK | NB3 NB5 NOIR | | |
| 21 | INT- | NB4 TAN | NB4 TAN | | |
| 68-D81 NC73-6A-D81C | 1 (W/POWER DOOR LOCK) | HANDLE(L), PULL-FRT | POIGNEE(G), TRACTION-AV | | |
| 02 | INT- | NB3 NB5 BLACK | NB3 NB5 NOIR | | |
| 21 | INT- | NB4 N88 TAN | NB4 N88 TAN | | |
| N066-68-D81B | 1 (W/O POWER DOOR LOCK) | | | | |
| 02 | INT- | NB3 NB5 BLACK | NB3 NB5 NOIR | | |
| 21 | INT- | NB4 N88 TAN | NB4 N88 TAN | | |
| 68-4E6 N066-68-4E6 | 1 | PLATE(R) | PLAQUE(D) | | |
| 02 | INT- | NB3 BLACK | NB3 NOIR | | |
| 21 | INT- | NB4 N88 TAN | NB4 N88 TAN | | |
| 68-4H1 NC10-68-4H1 | 1 | GRILLE(R), SPEAKER | GRILLE(D), HAUT PARLEUR | | |

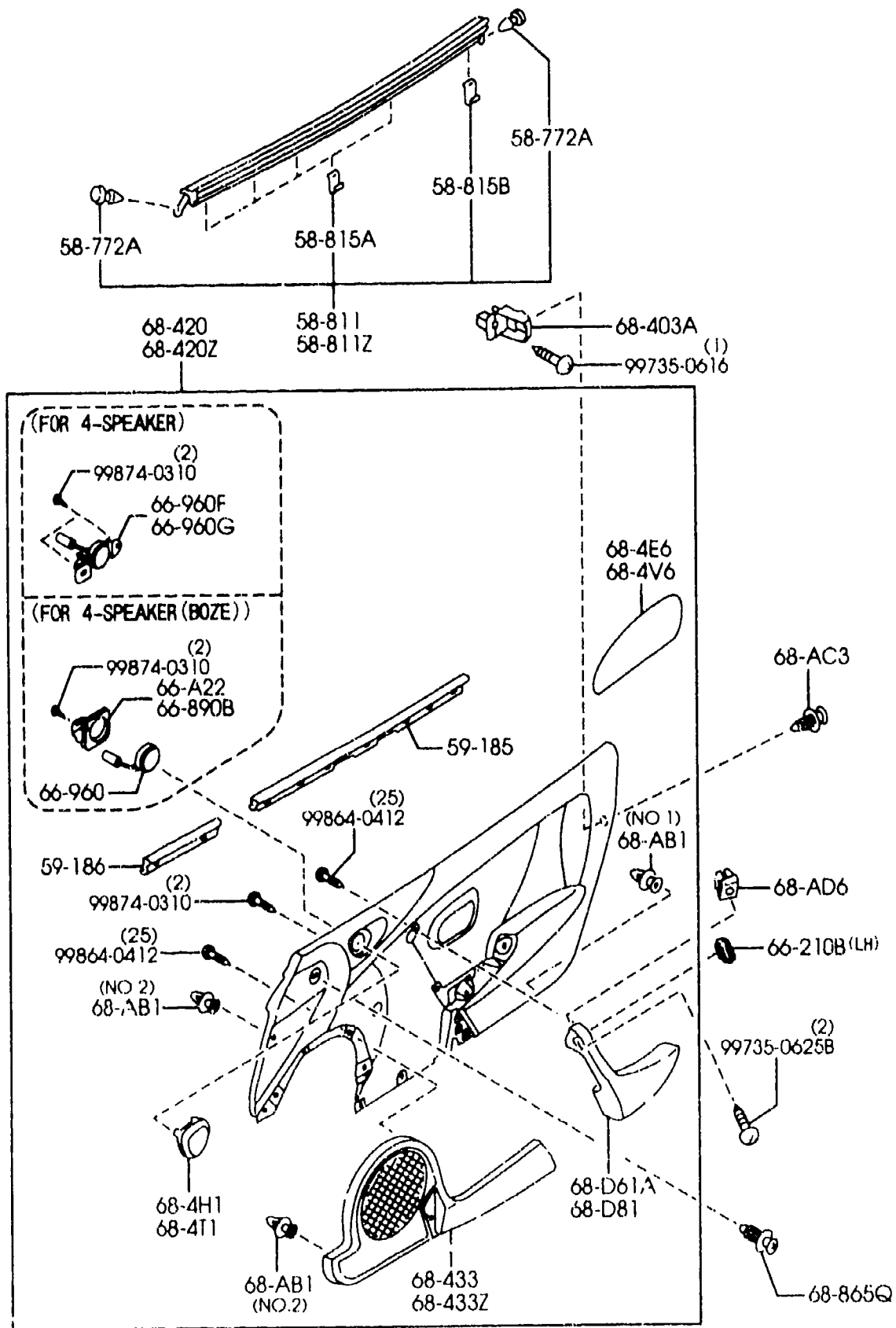
-1823
1823-

1823 NB35**-221400



5840A FRONT DOOR TRIMS & RELATED PARTS

5840A -3 FRONT DOOR TRIMS & RELATED PARTS

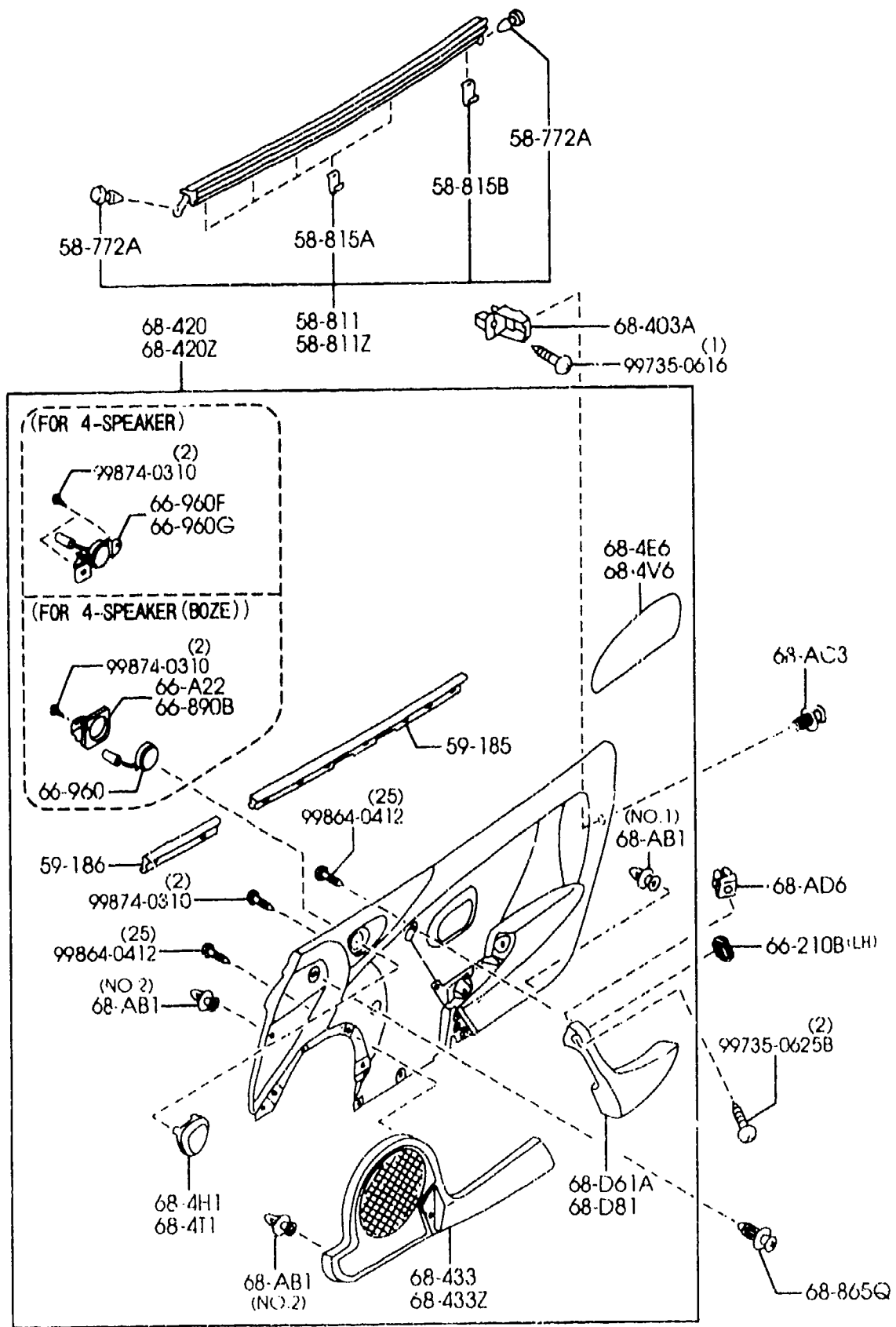


| PART NO. | QTY | MODEL/RESTRICTION | MODEL/RESTRICTION | MODEL/RESTRICTION | FROM-TO |
|-------------------------|------|--|----------------------------|-------------------|---------|
| 68-4T1 NC10-68-4W1 | 1 | GRILLE(L), SPEAKER | GRILLE(G), HAUT PARLEUR | | |
| 68-4V6 N066-68-4V6 | 1 | PLATE(L) | PLAQUE(G) | | |
| 02 | INT- | NB3 BLACK | NB3 NOIR | | |
| 21 | INT- | NB4 N88 TAN | NB4 N88 TAN | | |
| 68-403A NC10-68-403 | 4 | BRACKET, TRIM | SUPPORT, ASSIETTE-PORTE AV | | |
| 68-420 NC72-68-420E | 1 | TRIM(R), DOOR (FOR 2-SPEAKER) | GARNITURE (D), PORTE | | |
| 02 | INT- | NB3 BLACK | NB3 NOIR | | |
| 21 | INT- | NB4 N88 BLACK/TAN | NB4 N88 NOIR/TAN | | |
| NC74-68-420E | 1 | TRIM(L), DOOR (FOR 4-SPEAKER) | GARNITURE (G), PORTE | | |
| 02 | INT- | NB3 BLACK | NB3 NOIR | | |
| 21 | INT- | NB4 N88 BLACK/TAN | NB4 N88 NOIR/TAN | | |
| NC76-68-420E | 1 | TRIM(L), DOOR (FOR 4-SPEAKER(BOSE)) | GARNITURE (G), PORTE | | |
| 02 | INT- | NB3 BLACK | NB3 NOIR | | |
| 21 | INT- | NB4 N88 BLACK/TAN | NB4 N88 NOIR/TAN | | |
| 68-420Z NC72-68-450E | 1 | TRIM(L), DOOR (FOR 2-SPEAKER+W/O POWER DOOR LOCK) | GARNITURE (G), PORTE | | |
| 02 | INT- | NB3 BLACK | NB3 NOIR | | |
| 21 | INT- | NB4 N88 BLACK/TAN | NB4 N88 NOIR/TAN | | |
| NC73-68-450E | 1 | TRIM(L), DOOR (FOR 2-SPEAKER+W/POWER DOOR LOCK) | GARNITURE (G), PORTE | | |
| 02 | INT- | NB3 BLACK | NB3 NOIR | | |
| 21 | INT- | NB4 N88 BLACK/TAN | NB4 N88 NOIR/TAN | | |
| NC74-68-450E | 1 | TRIM(L), DOOR (FOR 4-SPEAKER+W/O POWER DOOR LOCK) | GARNITURE (G), PORTE | | |
| 02 | INT- | NB3 BLACK | NB3 NOIR | | |
| 21 | INT- | NB4 N88 BLACK/TAN | NB4 N88 NOIR/TAN | | |
| NC75-68-450E | 1 | TRIM(L), DOOR (FOR 4-SPEAKER+W/POWER DOOR LOCK) | GARNITURE (G), PORTE | | |
| 02 | INT- | NB3 BLACK | NB3 NOIR | | |

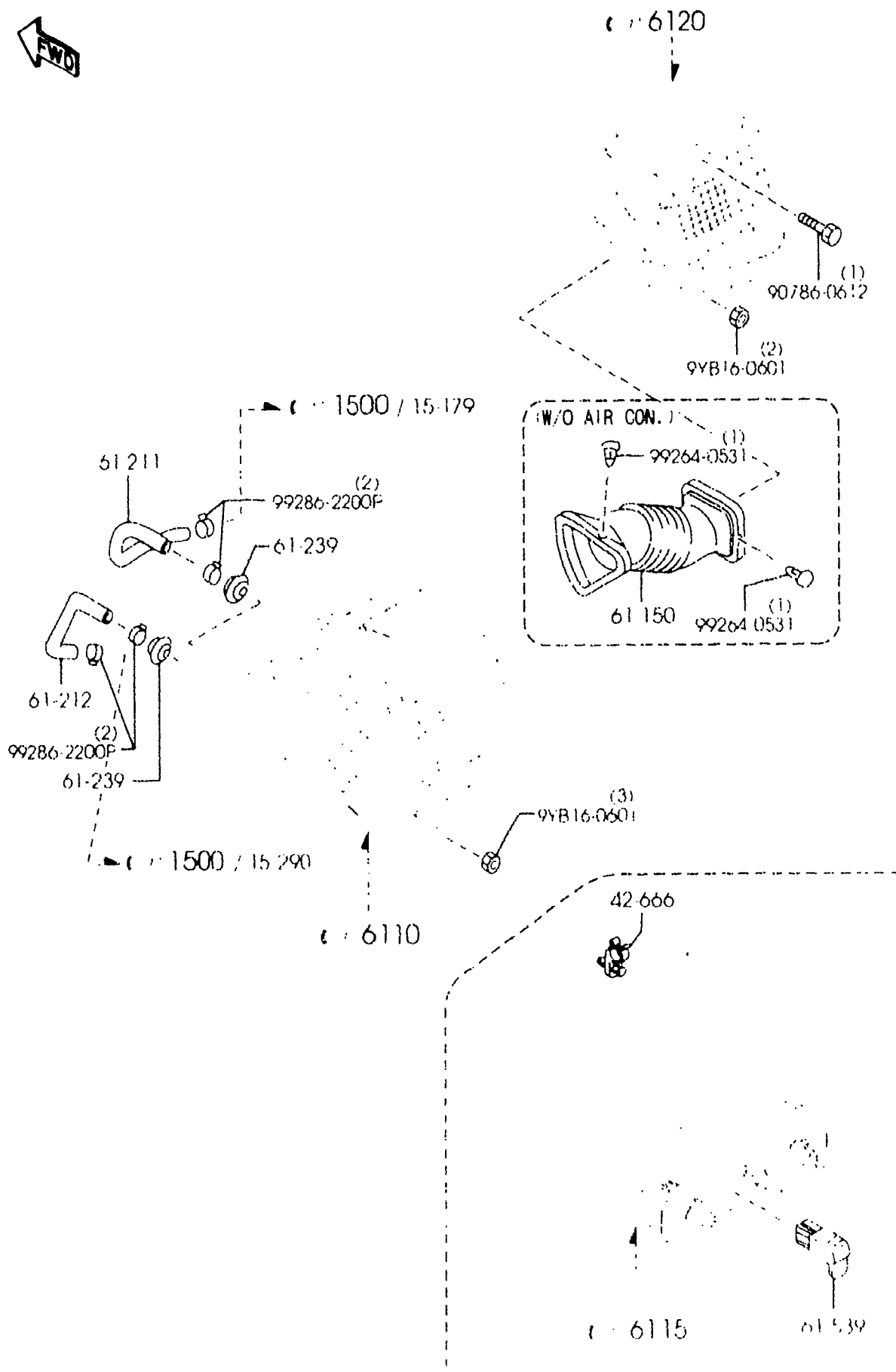
2-J11

5840A FRONT DOOR TRIMS & RELATED PARTS

5840A -4 * FRONT DOOR TRIMS & RELATED PARTS



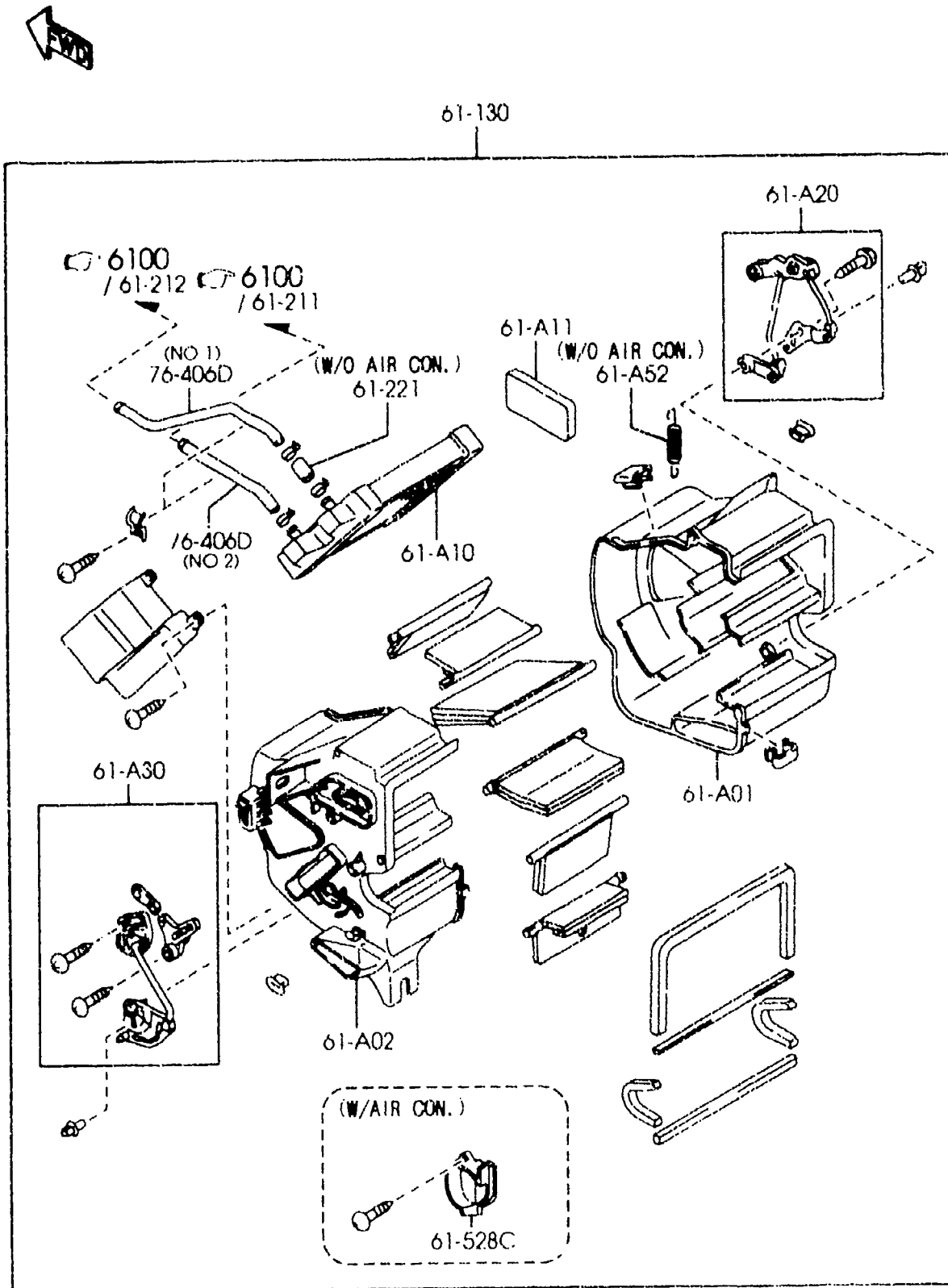
| PART NO. | QTY | MODEL/RESTRICTION | MODEL/RESTRICTION | MODEL/RESTRICTION | FROM-TO |
|---------------|------|------------------------------------|----------------------|-------------------|---------|
| CONT'D | | | | | |
| 21 | INT- | NB4 NB8 BLACK/TAN | NB4 NB8 NOIR/TAN | | |
| NC76-68-450E | 1 | (FOR 4-SPEAKER(BOSE)) | | | |
| 02 | INT- | NB3 BLACK | NB3 NOIR | | |
| 21 | INT- | NB4 NB8 BLACK/TAN | NB4 NB8 NOIR/TAN | | |
| 68-433 | | POCKET(R), DOOR TRIM | POCHE(D), | | |
| N066-68-4C1A | 1 | (FOR 2-SPEAKER) (FOR 4-SPEAKER) | | | |
| 02 | INT- | NB3 NB5 BLACK | NB3 NB5 NOIR | | |
| 21 | INT- | NB4 NB8 TAN | NB4 NB8 TAN | | |
| N068-68-4C1A | 1 | (FOR 4-SPEAKER(BOSE)) | | | |
| 02 | INT- | NB3 NB5 BLACK | NB3 NB5 NOIR | | |
| 21 | INT- | NB4 NB8 TAN | NB4 NB8 TAN | | |
| 68-433Z | | POCKET(L), DOOR TRIM | POCHE(G), | | |
| N066-68-4N1A | 1 | (FOR 2-SPEAKER) (FOR 4-SPEAKER) | | | |
| 02 | INT- | NB3 NB5 BLACK | NB3 NB5 NOIR | | |
| 21 | INT- | NB4 NB8 TAN | NB4 NB8 TAN | | |
| N068-68-4N1A | 1 | (FOR 4-SPEAKER(BOSE)) | | | |
| 02 | INT- | NB3 NB5 BLACK | NB3 NB5 NOIR | | |
| 21 | INT- | NB4 NB8 TAN | NB4 NB8 TAN | | |
| 68-865Q | | FASTENER | AGRAFE | | |
| OJ21-68-885B | 2 | | | | |
| 02 | INT- | NB3 NB4 NB5 NB8 BLACK | NB3 NB4 NB5 NB8 NOIR | | |



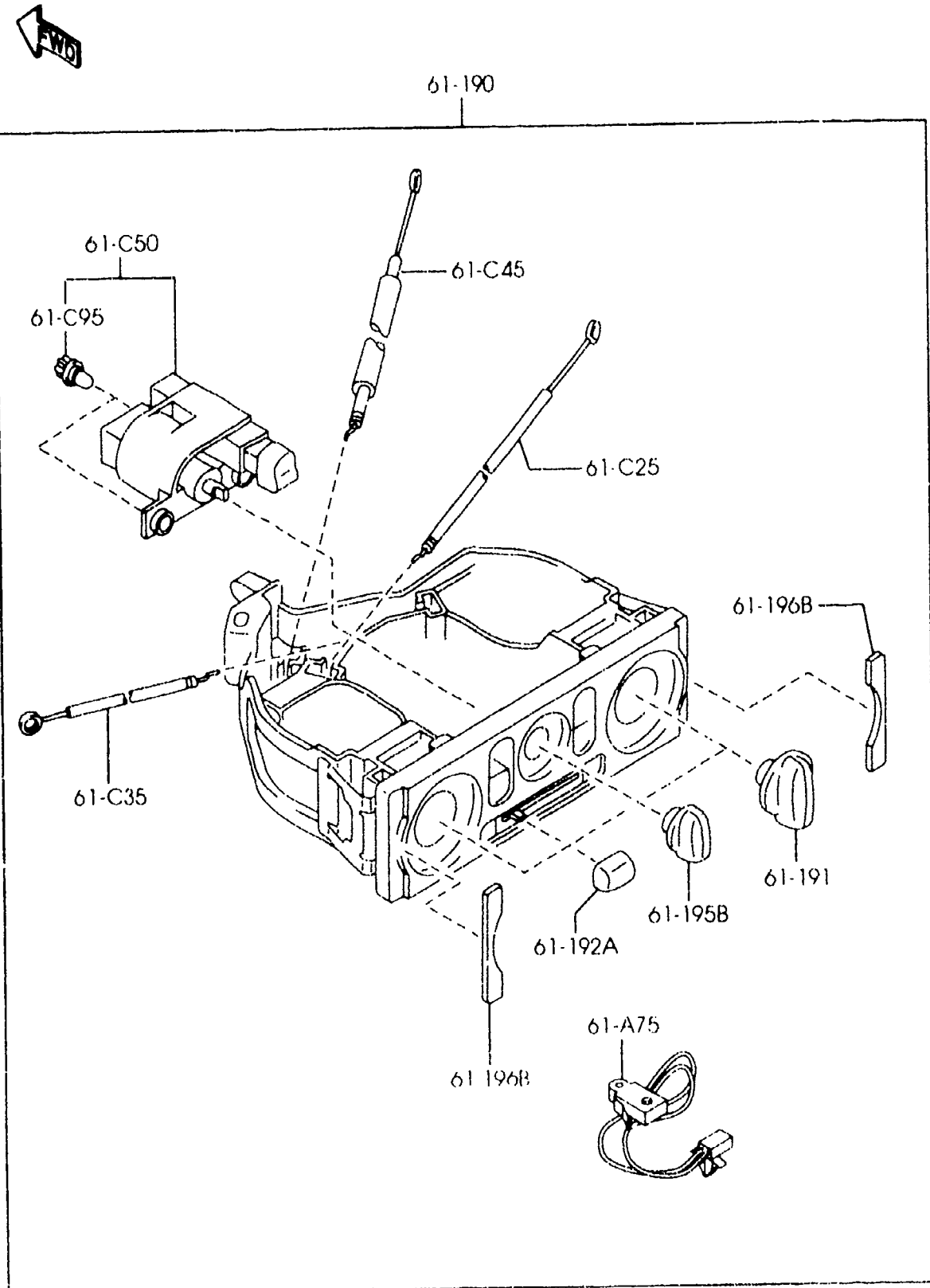
| PART NO. | QTY | MODEL/RESTRICTION | MODEL/RESTRICTION | MODEL/RESTRICTION | FROM-TO |
|--------------|------------------|-----------------------|----------------------------|-------------------|---------|
| 42-666 | | CLIP | ATTACHE | | |
| W023-42-666 | 1 | | | | |
| 61-150 | | DUCT, AIR | CONDUIT | | |
| NAD1-61-150A | 1 (W/O AIR CON.) | | | | |
| 61-211 | | HOSE NO.1, WATER | DURITE D'EAU NO 1 | | |
| NC10-61-211 | 1 | | | | |
| 61-212 | | HOSE NO.2, WATER | DURITE D'EAU NO 2 | | |
| NC10-61-212 | 1 | | | | |
| 61-239 | | GROMMET, HEATER PIPE | BAGUE, TUYAU CHAUFF | | |
| D201-61-239 | 2 | | | | |
| 61-539 | | COVER, AIRCON. SWITCH | COUVERCLE, INTERRUPT. CLIM | | |
| GE4T-61-539B | 1 (W/O AIR CON.) | | | | |

6110A HEATER UNIT COMPONENTS

6110A -1 * HEATER UNIT COMPONENTS



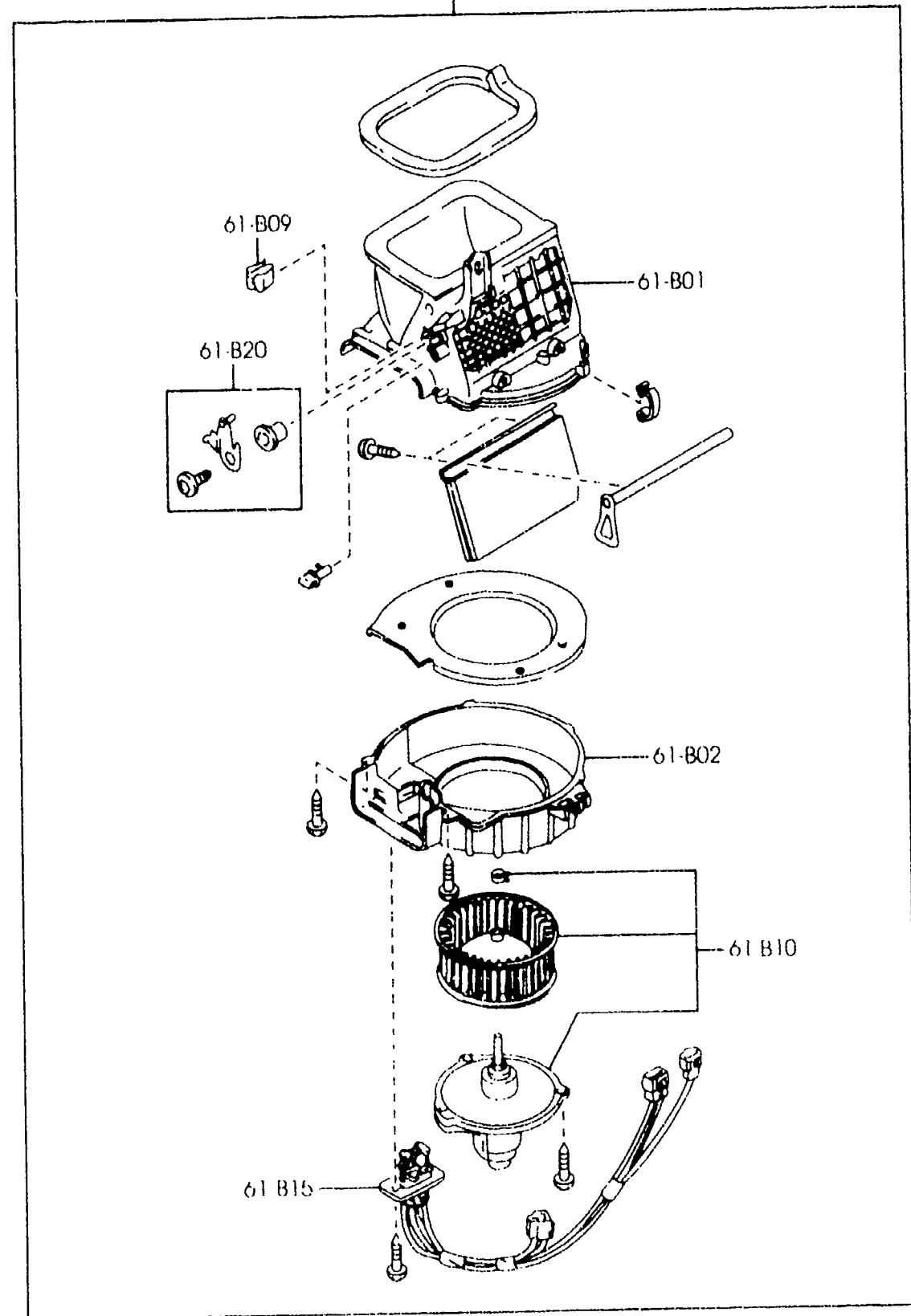
| PART NO. | QTY | MODEL/RESTRICTION | MODEL/RESTRICTION | MODEL/RESTRICTION | FROM-TO |
|--|--------------------------------------|-----------------------|-----------------------------|-------------------|---------|
| 61-A01 NC10-61-A01 | 1 | CASE 'A', HEATER UNIT | BOITE 'A', ENSEMBLE-RECHAUF | | |
| 61-A02 NC10-61-A02A | 1 | CASE 'B', HEATER UNIT | BOITE 'B', ENSEMBLE-RECHAUF | | |
| 61-A10 NC10-61-A10A | 1 | CORE, HEATER UNIT | NOYAU, RECHAUFFEUR | | |
| 61-A11 NC10-61-A11 | 1 | LINING, HEATER UNIT | CHEMISE, ENSEMBLE-RECHAUF. | | |
| 61-A20 NA01-61-A20 NC10-61-A20 | 1 (W/AIR CON.) 1 (W/O AIR CON.) | LINK SET, TEMP | JEU LIAISON, TEMP. | | |
| 61-A30 NA01-61-A30A NC11-61-A30A | 1 (W/AIR CON.) 1 (W/O AIR CON.) | LINK SET, MODE | JEU LIAISON, MODE | | |
| 61-A52 NC10-61-A52 | 1 (W/O AIR CON.) | SPRING, HEATER UNIT | RESSORT, UNITE RECHAUFF. | | |
| 61-130 NC11-61-130E NC72-61-130B | 1 (W/O AIR CON.) 1 (W/AIR CON.) | HEATER UNIT | CHAUFFAGE | | |
| 61-221 NA01-61-A21 | 1 (W/O AIR CON.) | HOSE, WATER | DURITE D'EAU | | |
| 61-528C NC72-61-527A | 1 (W/AIR CON.) | PLATE, SEAL | PLAQUE D'ETANCHEITE | | |
| 76-406D NC10-61-A15 NC10-61-A16 | 1 (ILLUST. NO.1) 1 (ILLUST. NO.2) | PIPE, HEATER UNIT | TUYAU, UNITE DE CHAUFFAGE | | |



| PART NO. | QTY | MODEL/RESTRICTION | MODEL/RESTRICTION | MODEL/RESTRICTION | FROM-TO |
|--------------|-----|---------------------------|-------------------------------|-------------------|---------|
| 61-A75 | | SWITCH,MICRO | INTERRUPTEUR MICRO | | |
| BJ1A-61-A75 | 1 | | | | |
| 61-C25 | | WIRE,TEMP. CONTROL | CABLE,COMMANDE DE TEMPERATURE | | |
| NC10-61-C25A | 1 | | | | |
| 61-C35 | | WIRE,MODE CONTROL | CABLE,COMMANDE DE MODE | | |
| NC10-61-C35 | 1 | | | | |
| 61-C45 | | WIRE,RECYCLE & FRESH AIR | CABLE,RECYCLAGE ET FRAIS AIRS | | |
| NC10-61-C45B | 1 | | | | |
| 61-C50 | | SWITCH,FAN-HEATER CONTROL | INTERRUPT. CONTROLE VENT | | |
| NC74-61-C50 | 1 | | | | |
| 61-C95 | | BULB,MODE CONTROL | AMPOULE,COMMANDE DE MODE | | |
| NC73-61-C95 | 2 | | | | |
| 61-190 | | CONTROL,HEATER | COMMANDE DE CHAUFFAGE | | |
| NC74-61-190B | 1 | | | | |
| 61-191 | | KNOB NO.1,MODE CONTROL | BOUTON NO 1 | | |
| NC73-61-191 | 2 | | | | |
| 61-192A | | KNOB NO.2 | BOUTON NO 2 | | |
| S38A-61-192 | 1 | | | | |
| 61-195B | | KNOB,FAN SWITCH | BOUTON | | |
| NC73-61-195 | 1 | | | | |
| 61-196B | | COVER,HEATER CONTROL | COUVERCLE,CONTR. RECHAUFF | | |
| S38A-61-199 | 2 | | | | |

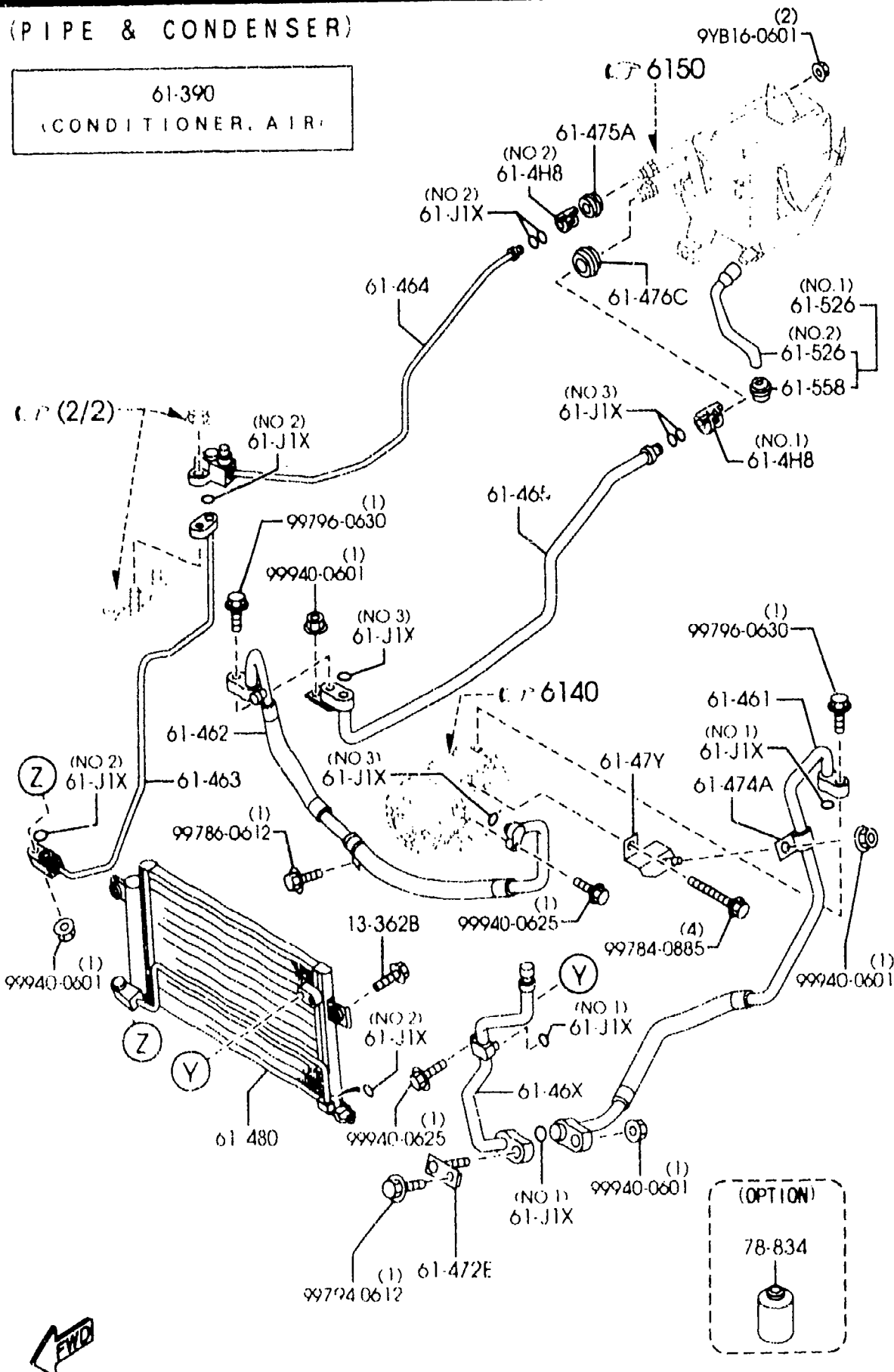
6120A HEATER BLOWER COMPONENTS

6120A -1 * HEATER BLOWER COMPONENTS

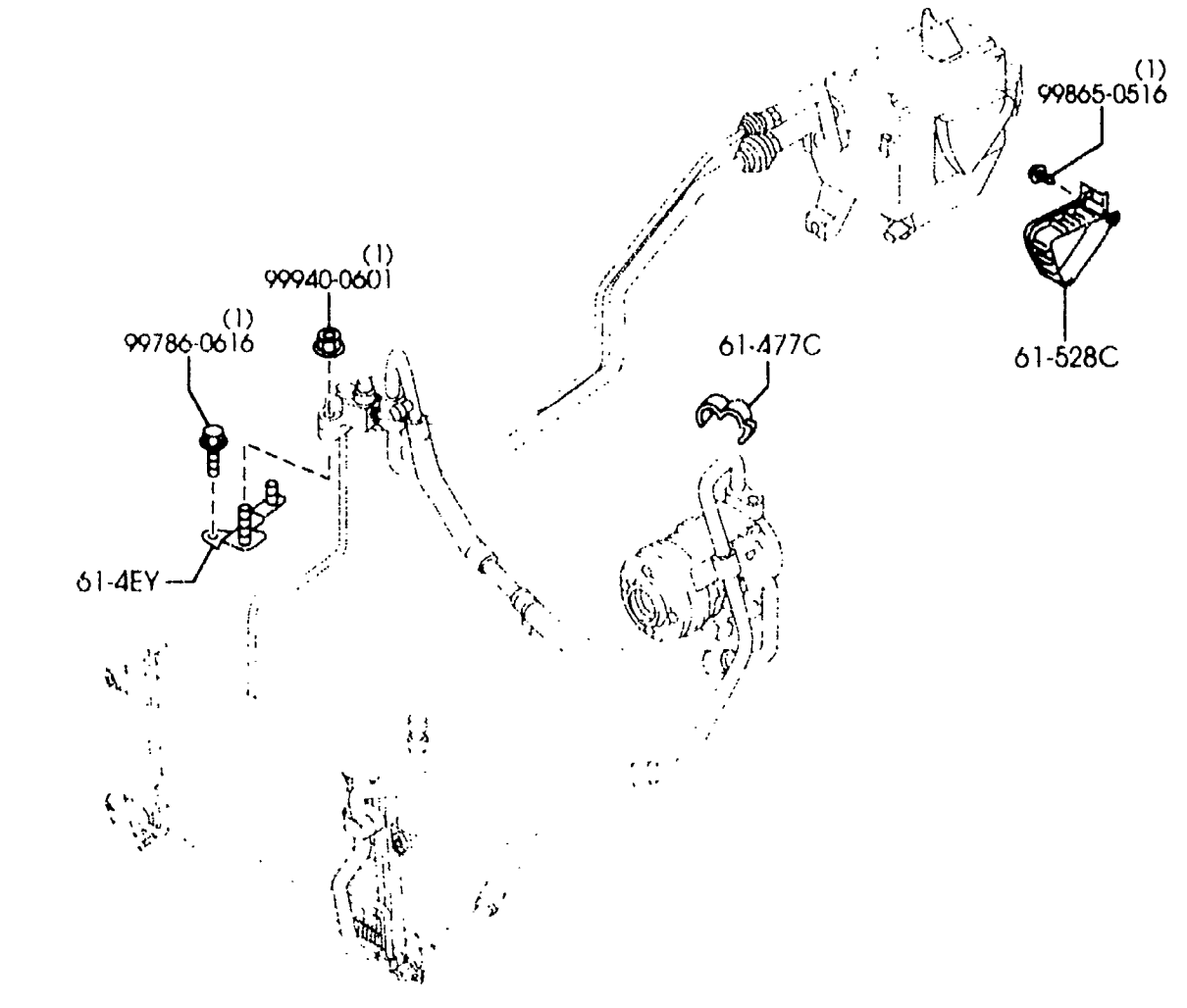
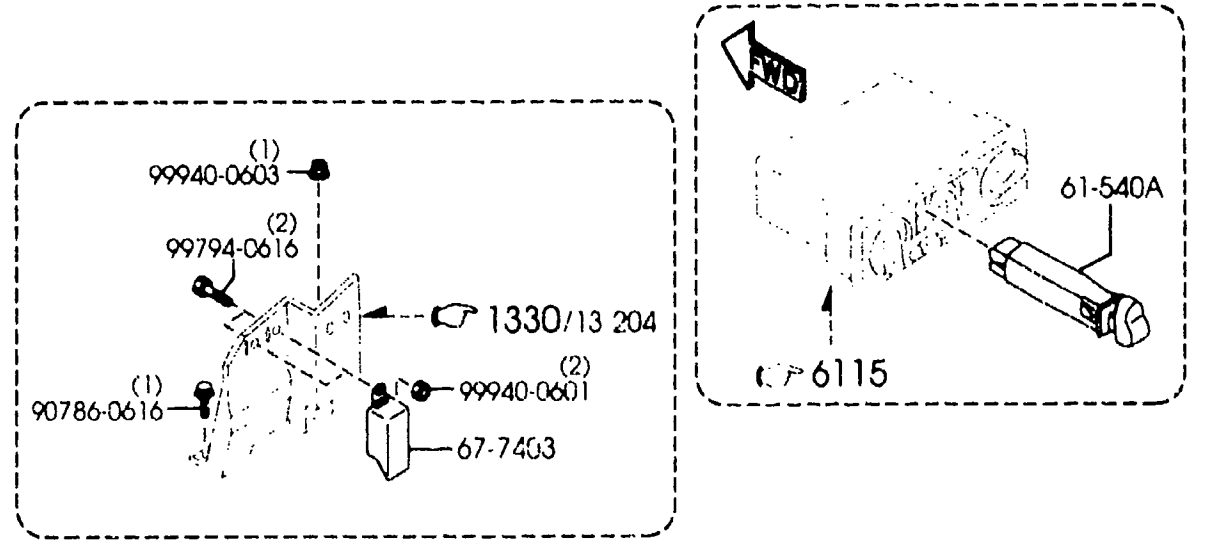


| PART NO. | QTY | MODEL/RESTRICTION | MODEL/RESTRICTION | MODEL/RESTRICTION | FROM-TO |
|--------------|-----|------------------------|-----------------------------|-------------------|---------|
| 61-B01 | | CASE 'A', BLOWER UNIT | BOITE 'A', GROUPE SOUFFLANT | | |
| NA75-61-B01 | 1 | (W/O AIR CON.) | | | |
| NC72-61-B01 | 1 | (W/AIR CON.) | | | |
| 61-B02 | | CASE 'B', BLOWER UNIT | BOITE 'B', GROUPE SOUFFLANT | | |
| NA01-61-B02 | 1 | (W/O AIR CON.) | | | |
| NC72-61-B02 | 1 | (W/AIR CON.) | | | |
| 61-B09 | | CLIP, BLOWER UNIT | COLLIER, GROUPE SOUFFLANT | | |
| NC72-61-B09 | 1 | | | | |
| 61-B10 | | MOTOR, FAN-BLOWER UNIT | MOTEUR, VENT.-UNITE UENT. | | |
| WR70-61-B10 | 1 | | | | |
| 61-B15 | | RESISTOR, BLOWER UNIT | RESISTANCE, UNITE UENT. | | |
| NA01-61-B15 | 1 | | | | |
| 61-B20 | | LINK, RECYCLE & FRESH | TETE COULISSANTE, | | |
| NA01-61-B20 | 1 | | | | |
| 61-140 | | BLOWER UNIT | SOUFFLERIE | | |
| NC11-61-140A | 1 | (W/O AIR CON.) | | | |
| NC72-61-140 | 1 | (W/AIR CON.) | | | |

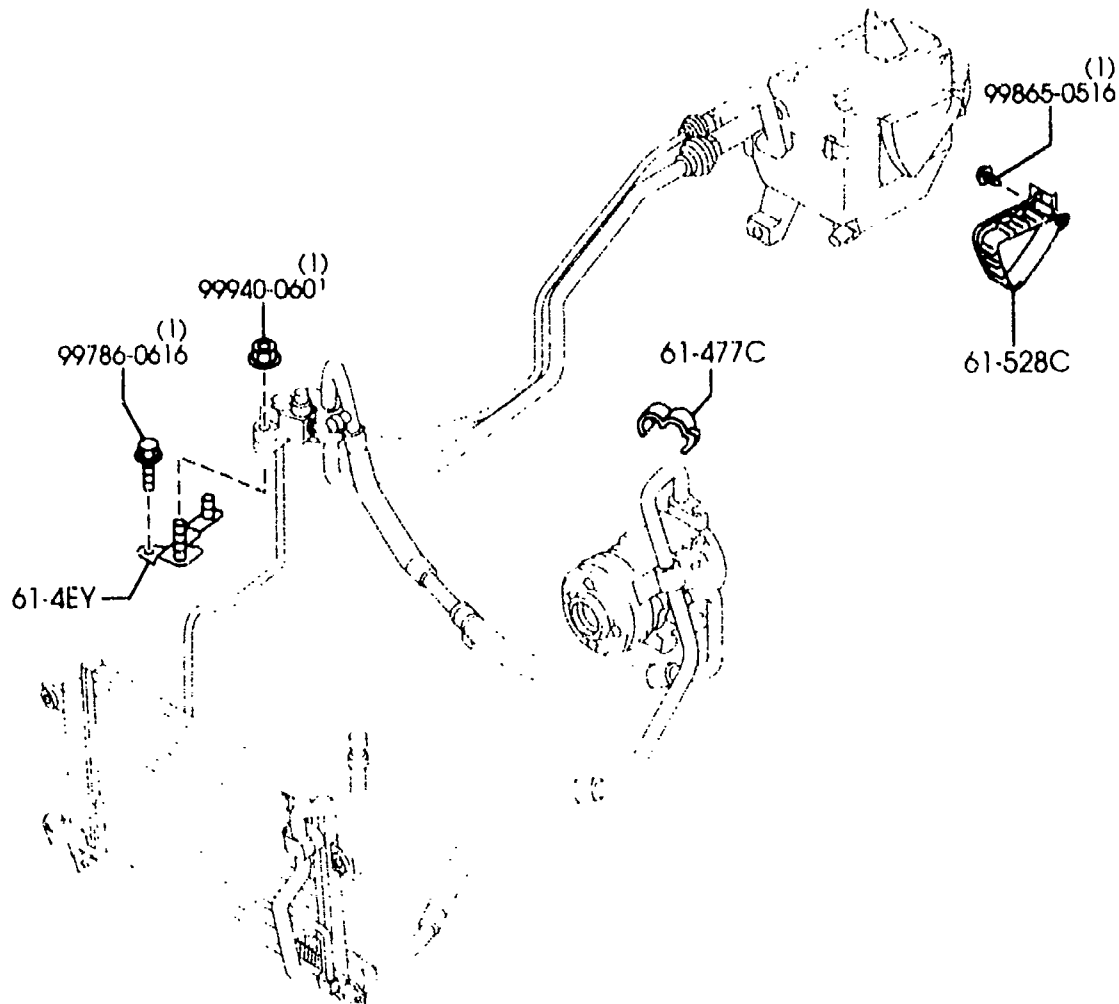
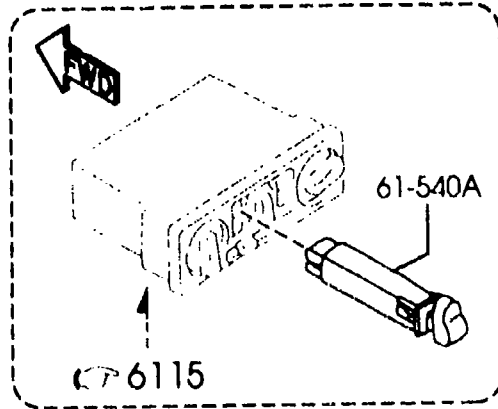
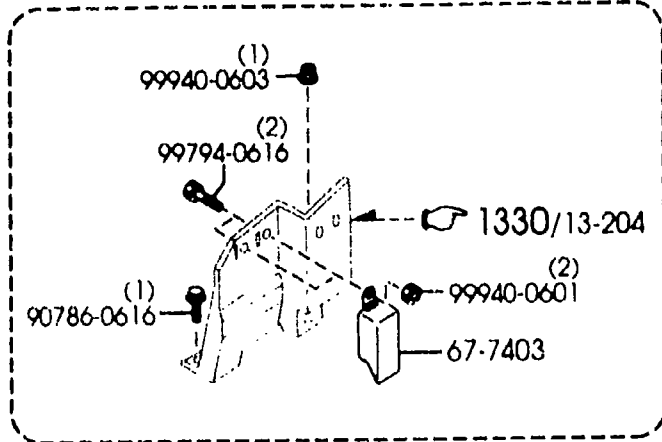
(PIPE & CONDENSER)



(BRACKET & CLIP)



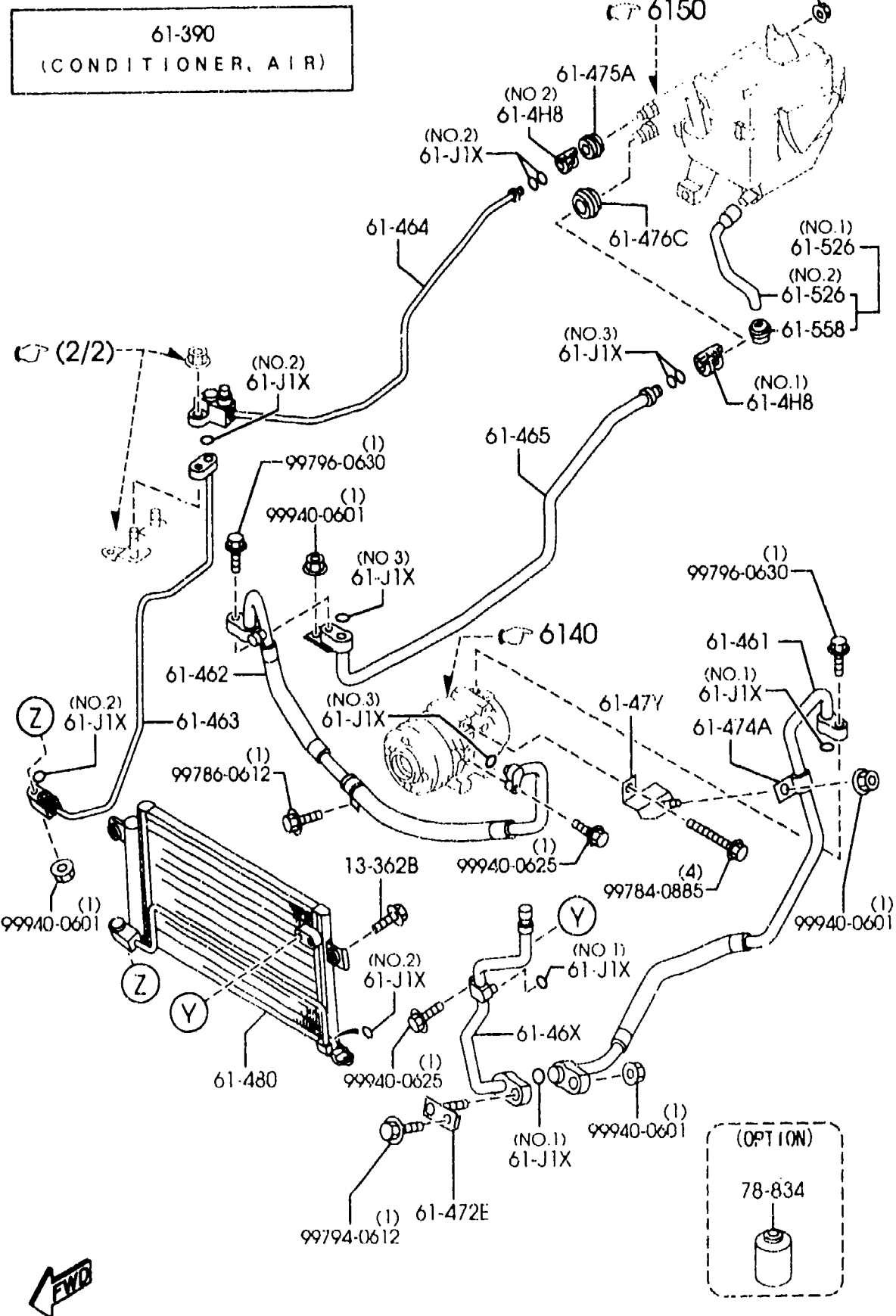
(BRACKET & CLIP)



| PART NO. | QTY | MODEL/RESTRICTION | MODEL/RESTRICTION | MODEL/RESTRICTION | FROM-TO |
|----------------------------------|-----|----------------------|---------------------------|-------------------|-----------|
| 61-465 | | PIPE NO.3,COOLER | CONDUIT NO 3 | | |
| NC72-61-46ZA | 1 | | | | -1201 |
| NC72-61-46ZB AN(NC72-61-46ZC) | 1 | | | | 1201-1801 |
| *NC72-61-46ZC | 1 | | | | 1801- |
| 61-47Y | | BRACKET,HOSE | SUPPORT,TUYAU | | |
| NC72-61-47Y | 1 | | | | |
| 61-472E | | BRACKET,CLAMP | SUPPORT | | |
| N054-61-472 | 1 | | | | |
| 61-474A | | CLIP | ATTACHE | | |
| NC72-61-474 | 1 | | | | |
| 61-475A | | GROMMET | AMORTISSEUR | | |
| B092-61-475 | 1 | | | | |
| 61-476C | | GROMMET | BAGUE | | |
| B092-61-476A | 1 | | | | |
| 61-477C | | CLIP | ATTACHE | | |
| B02A-61-477 | 1 | | | | |
| 61-480 | | CONDENSER | CONDENSATEUR | | |
| NC72-61-480A | 1 | | | | |
| 61-526 | | HOSE,DRAIN | DURITE D'ECOULEMENT | | |
| NC72-61-52Y | 1 | (ILLUST. NO.1) | | | |
| NC72-61-526 | 1 | (ILLUST. NO.2) | | | |
| 61-528C | | PLATE,SEAL | PLAQUE D'ETANCHEITE | | |
| NC72-61-527A | 1 | (OPTION) | | | |
| 61-540A | | SWITCH,AIR CON. | INTERR.,CLIMATISEUR | | |
| GE4T-61-530B | 1 | | | | |
| 61-558 | | GROMMET,UNIT-COOLING | BAGUE,ENSEMBLE-REFROIDISS | | |
| LB46-61-558A | 1 | | | | |

1201 NB35**-210890
1801 NB35**-220738

(PIPE & CONDENSER)

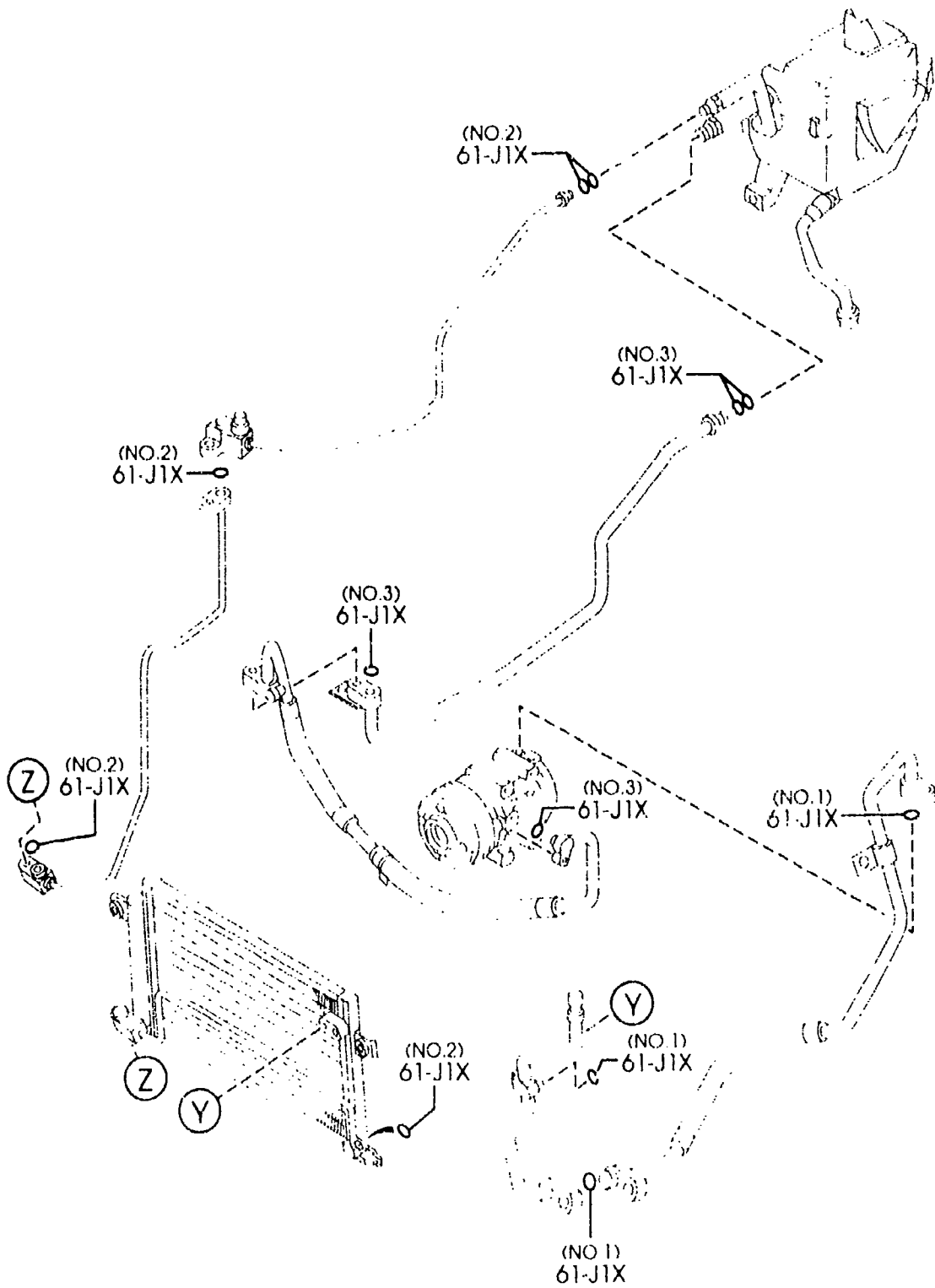


| PART NO. | QTY | MODEL/RESTRICTION | MODEL/RESTRICTION | MODEL/RESTRICTION | FROM-TO |
|-------------|-----|-------------------|---------------------|-------------------|---------|
| 67-7403 | 2 | RELAY, N.O. | RELAIS, N.O. | | |
| H310-67-740 | | 30A (OPTION) | 30A | | |
| 78-834 | 2 | REFRIGERANT DRUM | REFRIGERANT TAMBOUR | | |
| W257-61-R13 | | 200G (OPTION) | 200G | | |

2-J12

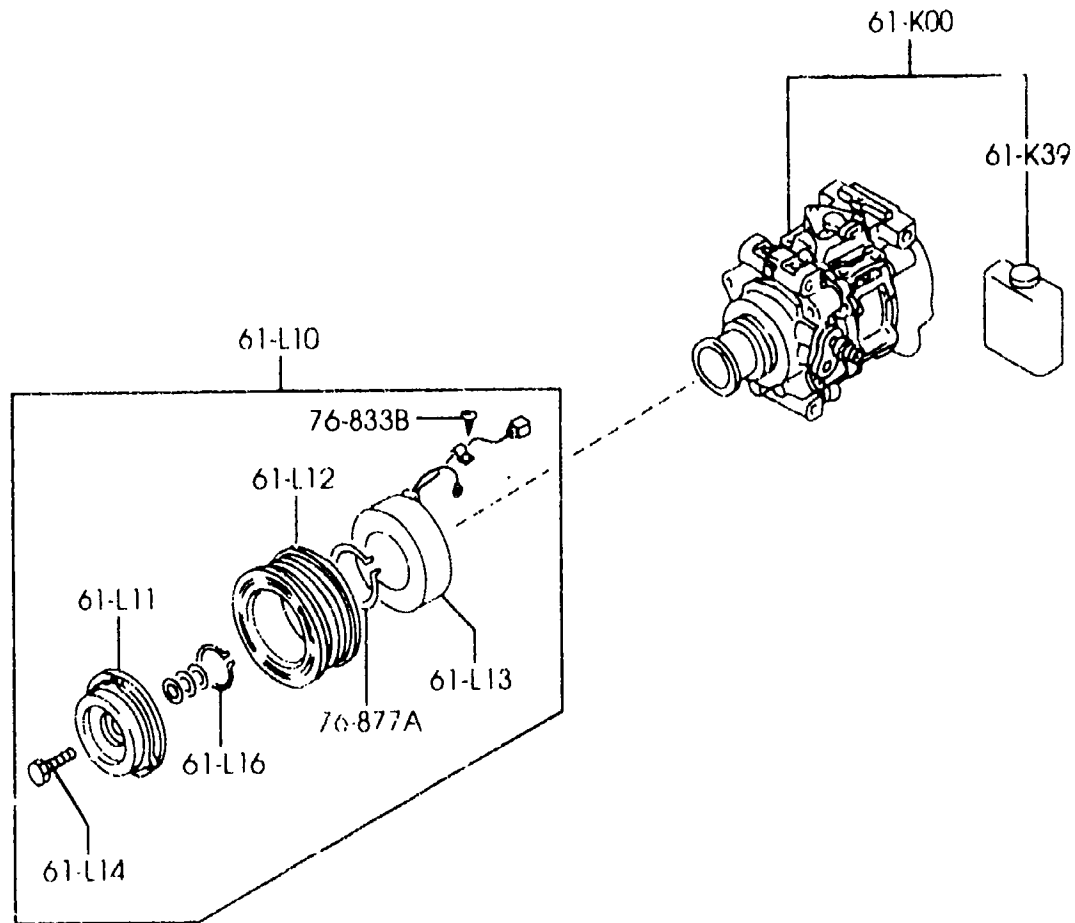
6135A AIR CONDITIONING COOLING PIPE O-RING

6135A -1 * AIR CONDITIONING COOLING PIPE O-RING



| PART NO. | QTY | MODEL/RESTRICTION | MODEL/RESTRICTION | MODEL/RESTRICTION | FROM-TO |
|-------------|-----|-------------------|---------------------|-------------------|---------|
| 61-J1X | | RING, 'O'-NO.1 | JEU BAGUE 'O', NO.1 | | |
| W257-61-J17 | 3 | (ILLUST. NO.1) | | | |
| W326-61-J17 | 5 | (ILLUST. NO.2) | | | |
| W329-61-J17 | 4 | (ILLUST. NO.3) | | | |

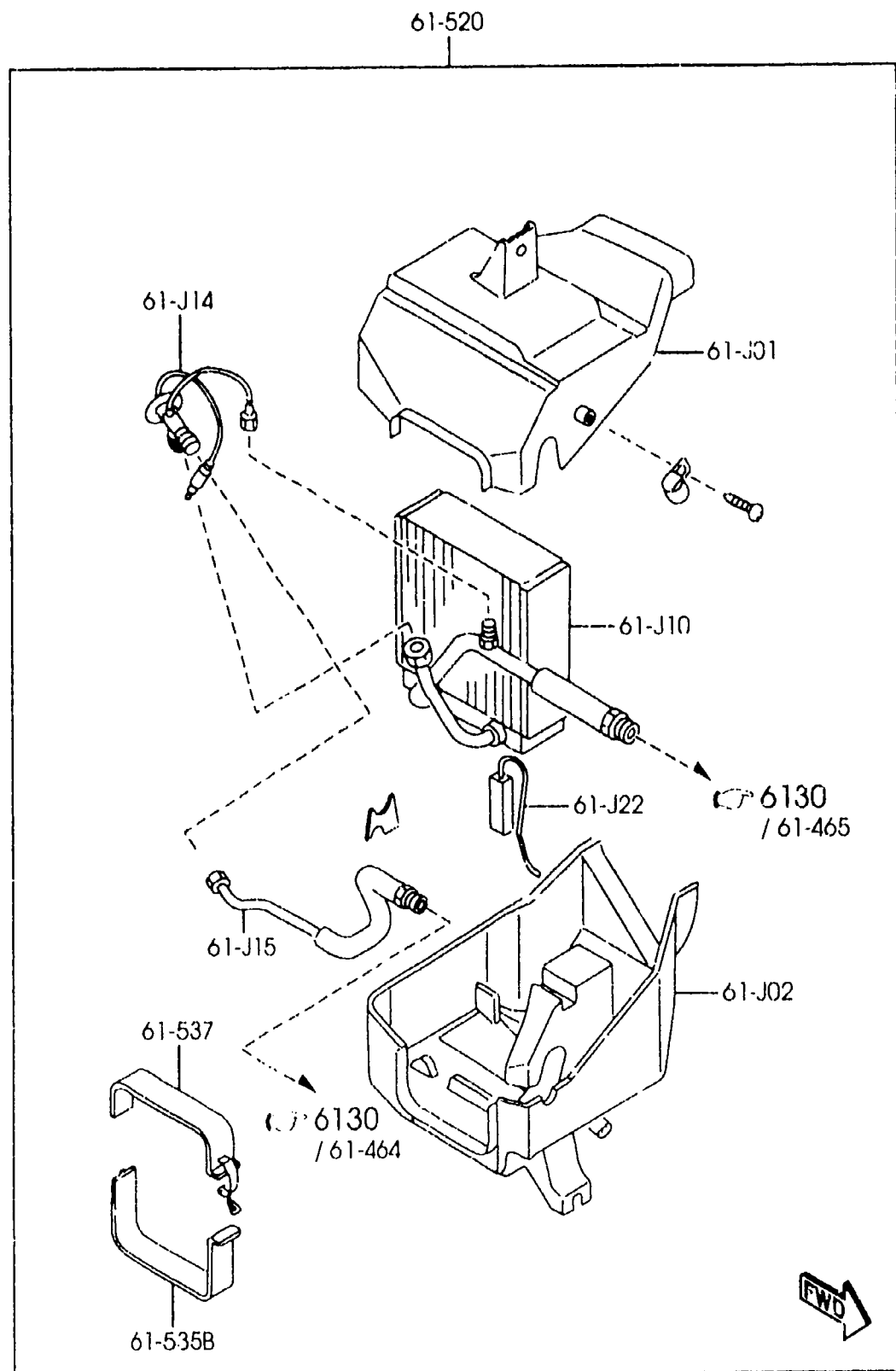
2-K12



| PART NO. | QTY | MODEL/RESTRICTION | MODEL/RESTRICTION | MODEL/RESTRICTION | FROM-TO |
|------------------------|-----|---------------------------|----------------------------|-------------------|---------|
| 61-K00 NC72-61-K00 | 1 | COMPRESSOR, AIR CON. | COMPRESSEUR, COND. AIR | | |
| 61-K39 FD15-61-K39 | 1 | OIL, COMPRESSOR | HUILE, COMPRESSEUR | | |
| 61-L10 N026-61-L10 | 1 | CLUTCH, MAGNET | EMBAYAGE, MAGNETIQUE | | |
| 61-L11 FD15-61-L11 | 1 | ARMATURE, MAGNETIC CLUTCH | ARMATURE, EMBRAY. MAGNET. | | |
| 61-L12 N026-61-L12 | 1 | PULLEY, MAGNET CLUTCH | POULIE, EMBRAY. MAGNET. | | |
| 61-L13 FD15-61-L13 | 1 | COIL, FIELD-MAGNET CLUTCH | BOBINE, CHAMP-EMB. MAGNET. | | |
| 61-L14 F065-61-L14 | 1 | BOLT, MAGNET CLUTCH | BOULON, EMBRAYAGE MAGNET | | |
| 61-L16 F065-61-L16 | 1 | RING, SNAP-MAGNET CLUTCH | ROBINE, RESSORT-EMBR. MAG. | | |
| 76-833B B001-76-734 | 1 | WASHER | RONDELLE | | |
| 76-877A B001-76-725 | 1 | RING, SNAP | CALE | | |

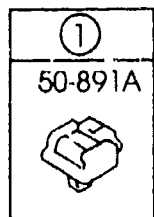
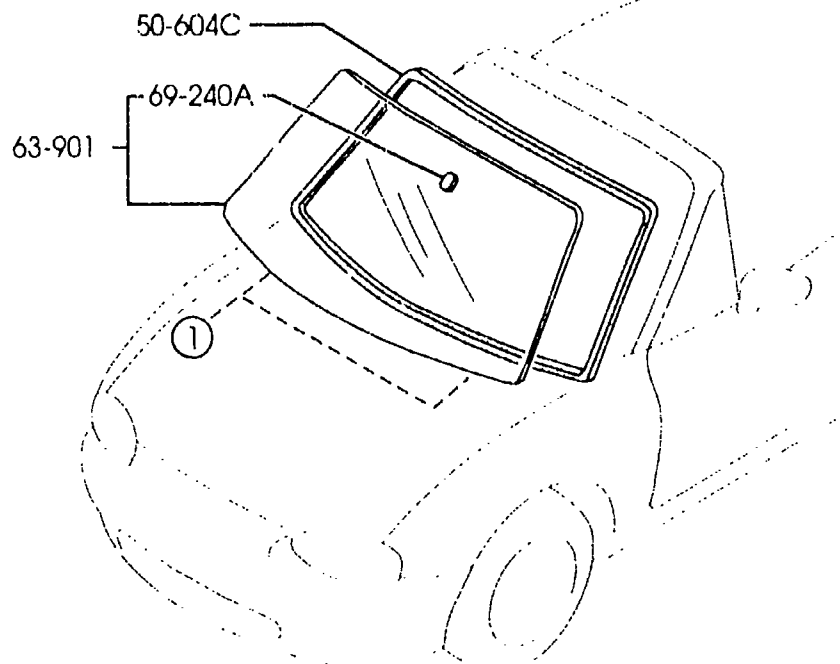
← EWD

2-L12

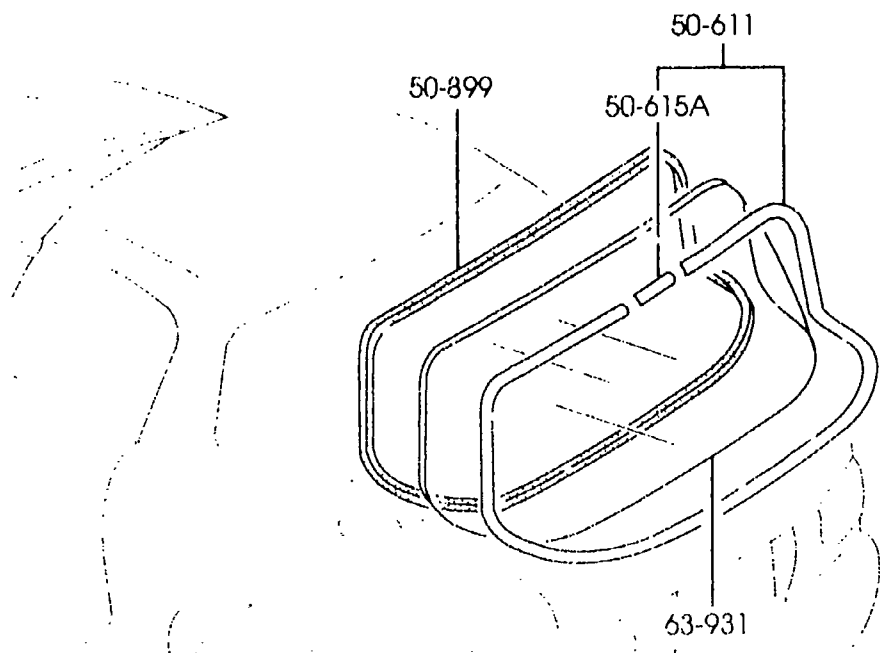


| PART NO. | QTY | MODEL/RESTRICTION | MODEL/RESTRICTION | MODEL/RESTRICTION | FROM-TO |
|---|-----|------------------------|------------------------------|-------------------|-----------|
| 61-J01 NC72-61-J01 | 1 | CASE 'A', COOLING UNIT | BOITE 'A', BLOC REFROI DISS. | | |
| 61-J02 NC72-61-J02 | 1 | CASE 'B', COOLING UNIT | BOITE 'B', BLOC REFROI DISS. | | |
| 61-J10 NC72-61-J10 | 1 | EVAPORATOR | EVAPORATEUR | | |
| 61-J14 N053-61-J14A | 1 | VALVE, EXPANSION | ROBINET DETENDEUR | | |
| 61-J15 N053-61-J15 | 1 | PIPE, COOLING UNIT | TUBE, UNITE REFROID. | | |
| 61-J22 N053-61-J22A | 1 | SENSOR, VALVE | CAPTEUR, SOUPAPE | | |
| 61-520 NC72-61-520C AN(NC72-61-520D) | 1 | UNIT, COOLING | CLIMATISEUR | | -0A20 |
| 61-535B N001-61-52YA AN(N001-61-52YB) | 1 | PLATE NO.1, SEAL | PLAQUE D'ETANCHEITE NO 1 | | 0A20-1201 |
| 61-537 N001-61-529A | 1 | PLATE NO.3, SEAL | PLAQUE D'ETANCHEITE NO 3 | | 1201- |

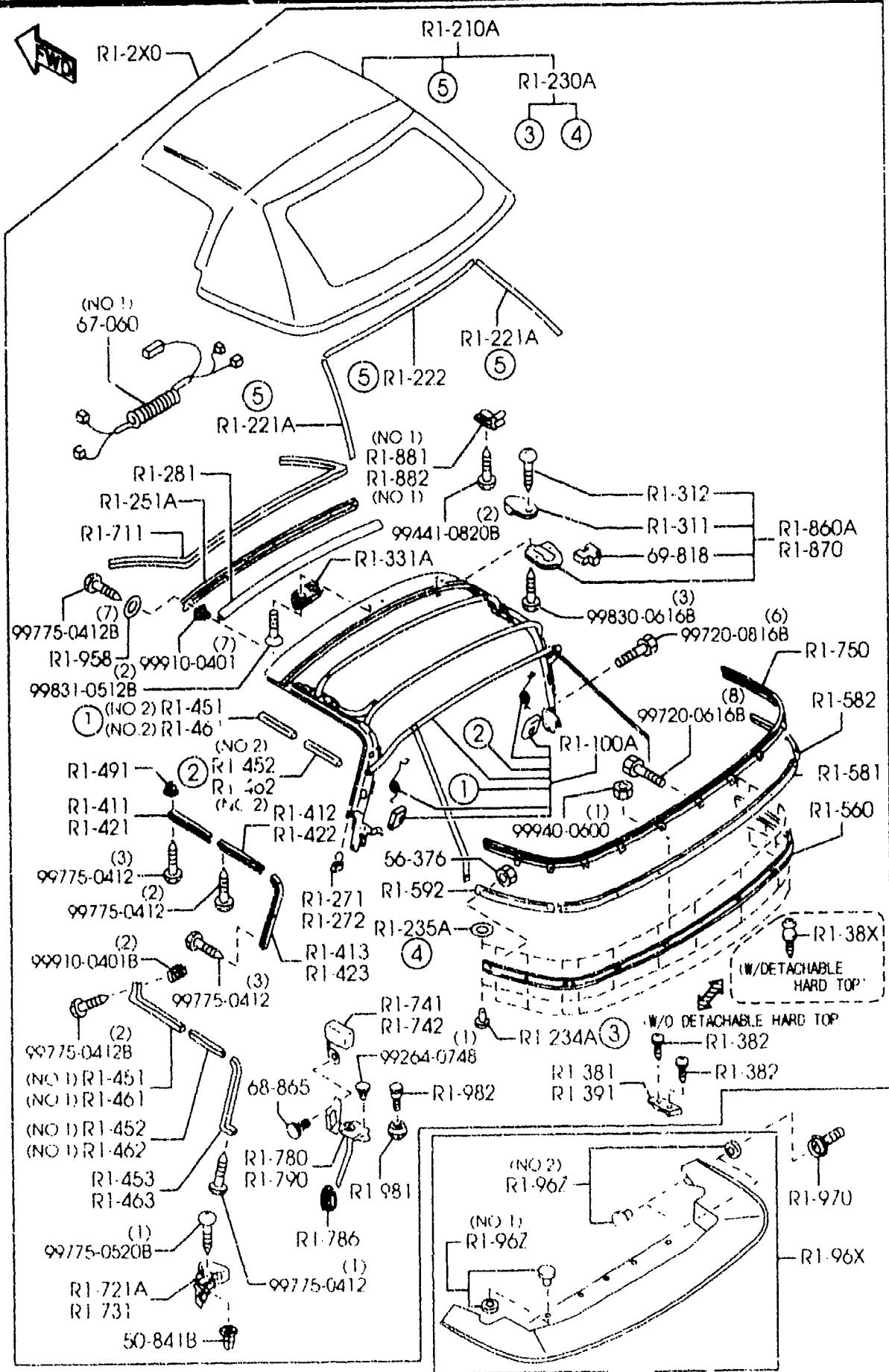
0A20 NB30**-205725
1201 NB35**-210890



(W/DETACHABLE HARD TOP)



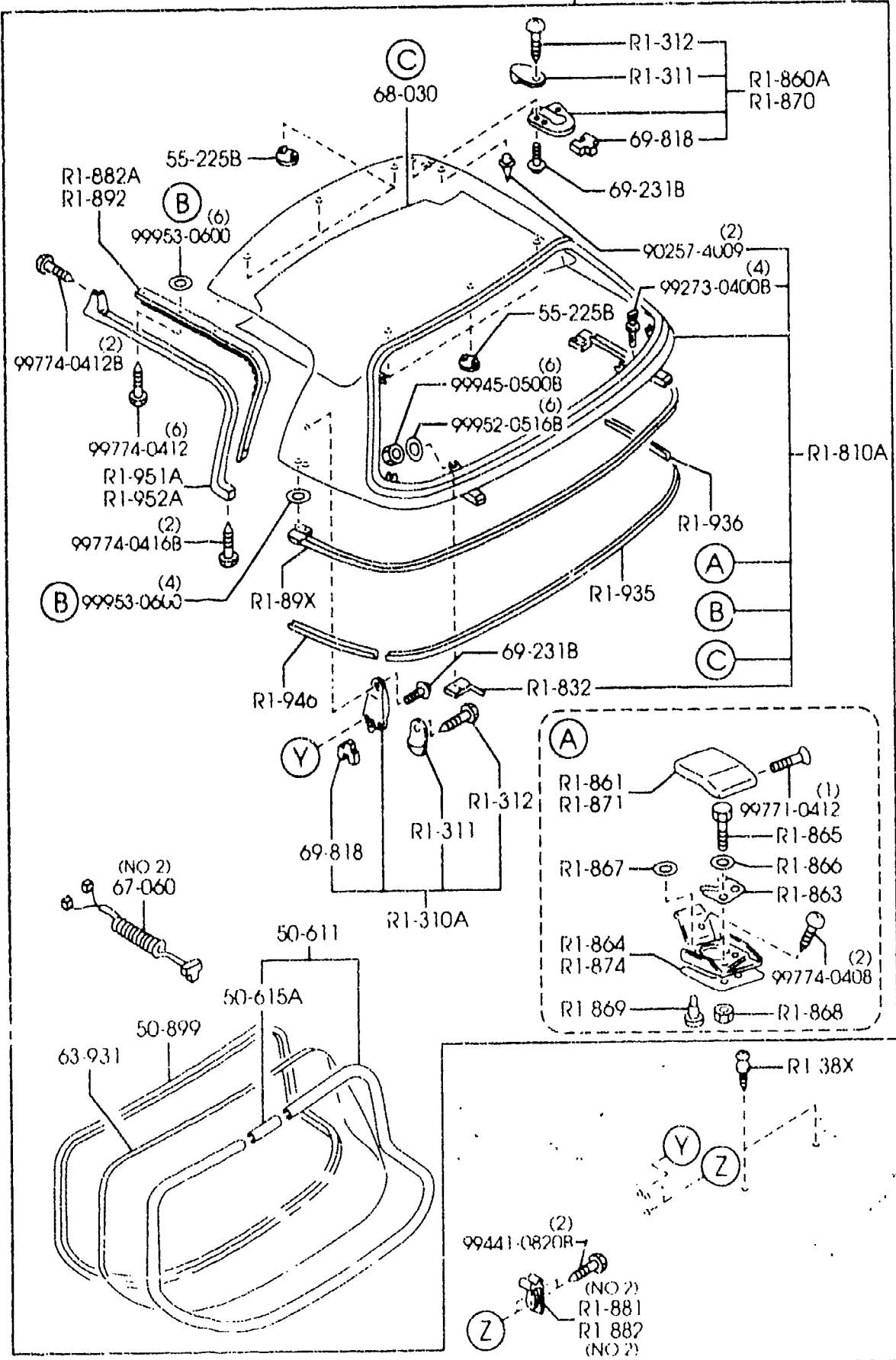
| PART NO. | QTY | MODEL/RESTRICTION | MODEL/RESTRICTION | MODEL/RESTRICTION | FROM-TO |
|-------------------------|-----|--|-----------------------------|-------------------|---------|
| 50-604C NA01-50-894A | 1 | DAM L=3550MM | JOINT L=3550MM | | |
| GA7B-50-899 | 1 | L=3960MM | L=3960MM | | |
| 50-611 NAY1-63-930 | 1 | MOULD,RR.WINDOW (W/DETACHABLE HARD TOP) | MOULURE FENETRE ARR. | | |
| 50-615A NA01-63-934 | 1 | JOINT,BACK WINDOW MOULD (W/DETACHABLE HARD TOP) | RACCORD, | | |
| 50-891A E040-50-891 | 2 | SPACER,WINDOW WHITE | ENTRETOISE,FENETRE WHITE | | |
| 50-899 NA01-63-895 | 1 | DAM,REAR-WIND. (W/DETACHABLE HARD TOP) | BARRAGE,AR.-PARE BRISE | | |
| 63-901 NC11-63-900 | 1 | GLASS,WINDSHIELD | PAREBRISE | | |
| 63-931 NB40-63-931 | 1 | GLASS,BACK WINDOW (W/DETACHABLE HARD TOP) | GLAC. DE LUNETTE AR. | | |
| 69-240A BC1C-69-240 | 1 | BASE,INTERIOR MIRROR | SOCLE MIRROIR | | |



| PART NO. | QTY | MODEL/RESTRICTION | MODEL/RESTRICTION | MODEL/RESTRICTION | FROM-TO |
|---|------|---|----------------------|-------------------|-----------|
| NC10-R1-100D | 1 | R1-100A LINK,SOFT TOP | TRINGLE,TOIT TOILE | | |
| NC20-R1-020G | 1 | R1-2X0 TOP,SOFT (VINYL-'A TYPE') | TCIT,TENDRE | | -1122 |
| 66 | INT- | NB3 BLACK | NB3 NOIR | | |
| 88 | INT- | NB4 TAN | NB4 TAN | | |
| NC72-R1-020A | 1 | (VINYL-'B TYPE') | | | -1122 |
| 88 | INT- | NB4 TAN | NB4 TAN | | |
| NC20-R1-020J | 1 | (VINYL-'A TYPE') | | | 1122-1601 |
| 66 | INT- | NB3 NB5 NB8 BLACK | NB3 NB5 NB8 NOIR | | |
| 88 | INT- | NB4 TAN | NB4 TAN | | |
| NC72-R1-020B | 1 | (VINYL-'B TYPE') | | | 1122-1601 |
| 88 | INT- | NB4 TAN | NB4 TAN | | |
| NC20-R1-020K | 1 | (VINYL-'A TYPE') | | | 1601-1703 |
| 66 | INT- | NB3 NB5 NB8 NB9 BLACK | NB3 NB5 NB8 NB9 NOIR | | |
| 88 | INT- | NB4 TAN | NB4 TAN | | |
| NC72-R1-020C | 1 | (VINYL-'B TYPE') | | | 1601-1703 |
| 88 | INT- | NB4 TAN | NB4 TAN | | |
| NC20-R1-020L | 1 | (VINYL-'A TYPE') | | | 1703-1716 |
| 66 | INT- | NB3 NB5 NB8 NB9 BLACK | NB3 NB5 NB8 NB9 NOIR | | |
| 88 | INT- | NB4 TAN | NB4 TAN | | |
| NC72-R1-020D | 1 | (VINYL-'B TYPE') | | | 1703-1716 |
| 88 | INT- | NB4 TAN | NB4 TAN | | |
| NC20-R1-020M | 1 | (VINYL-'A TYPE') | | | 1716- |
| 66 | INT- | NB3 NB5 NB8 BLACK | NB3 NB5 NB8 NOIR | | |
| 88 | INT- | NB4 TAN | NB4 TAN | | |
| NC72-R1-020E | 1 | (VINYL-'B TYPE') | | | 1716- |
| 88 | INT- | NB4 | NB4 | | |
| NC10-R1-210E | 1 | R1-210A FABRIC, TOP-SOFT TOP (VINYL-'A TYPE') | CAPUCHON,HAUT MOU | | -1122 |
| 66 | INT- | NB3 BLACK | NB3 NOIR | | |
| 88 | INT- | NB4 TAN | NB4 TAN | | |
| 1122 NB35** -209882 1601 NB35** -219011 1716 NB35** -220116 | | | | | |

(W/DETACHABLE HARD TOP)

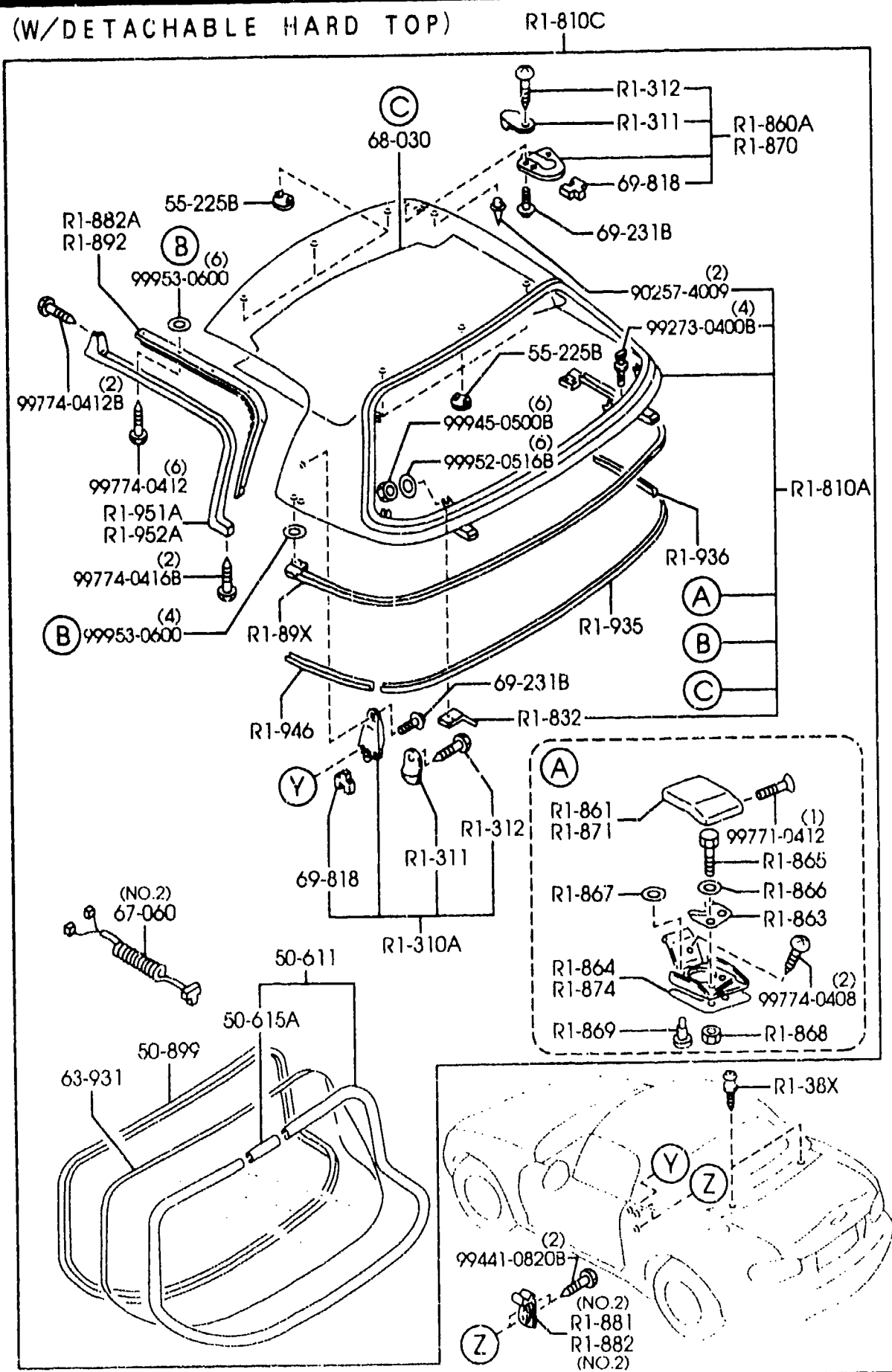
R1-810C



| PART NO. | QTY | MODEL/RESTRICTION | MODEL/RESTRICTION | MODEL/RESTRICTION | FROM-TO |
|-------------------------------|------|-----------------------------|------------------------------|-------------------|-----------|
| CONT'D | | | | | |
| NC72-R1-210A | 1 | (VINYL-'B TYPE') | | | -1601 |
| 88 | INT- | NB4 TAN | NB4 TAN | | |
| NC10-R1-210F | 1 | (VINYL-'A TYPE') | | | 1122-1601 |
| 66 | INT- | NB3 NB5 NB8 BLACK | NB3 NB5 NB8 NOIR | | |
| 88 | INT- | NB4 TAN | NB4 TAN | | |
| NC10-R1-210G | 1 | (VINYL-'A TYPE') | | | 1601- |
| 66 | INT- | NB3 NB5 NB8 BLACK | NB3 NB5 NB8 NOIR | | |
| 88 | INT- | NB4 TAN | NB4 TAN | | |
| NC72-R1-210B | 1 | (VINYL-'B TYPE') | | | 1601- |
| 88 | INT- | NB4 TAN | NB4 TAN | | |
| R1-221A | | PAD,SOFT TOP | TAMPON,TETE DOUX | | |
| NC10-R1-221 A (NC10-R1-221A) | 2 | | | | -1108 |
| NC10-R1-221A | 2 | | | | 1108- |
| R1-222 | | PAD,SOFT TOP | TAMPON,TETE DOUX | | |
| NC10-R1-222 A (NC10-R1-222A) | 1 | | | | -1108 |
| NC10-R1-222A | 1 | | | | 1108- |
| R1-230A | | FASTENER SET, TOP CLO TH | JEU FERMET., COUV. TE TE | | |
| NA01-R1-230 | 1 | | | | |
| R1-234A | | FASTENER, RAIN RAIL-R EAR | AGRAFE, RAIL. PLUIE LA TERAL | | |
| NA01-R1-234 AN (NA01-R1-234A) | 13 | | | | -1601 |
| NA01-R1-234A | 13 | | | | 1601- |
| R1-235A | | WASHER, FASTENER-RAIN RAIL | RONDELLE, AGRAFE RAIL PLUI | | |
| NA01-R1-235 | 13 | | | | |
| R1-251A | | PLATE (FRT), SET-ROOF PANEL | PLAQUE (AV), JEU-PANN. TOIT | | |
| NA01-R1-291A | 1 | | | | |
| R1-271 | | CLIP (R), FORM PLATE | ETRIER (D), PLAQUE FORME | | |
| NA01-R1-271 | 1 | | | | |
| R1-272 | | CLIP (L), FORM PLATE | ETRIER (G), PLAQUE FORME | | |
| NA01-R1-272 | 1 | | | | |

1108 NB35**-208709
 1122 NB35**-209882
 1601 NB35**-219011

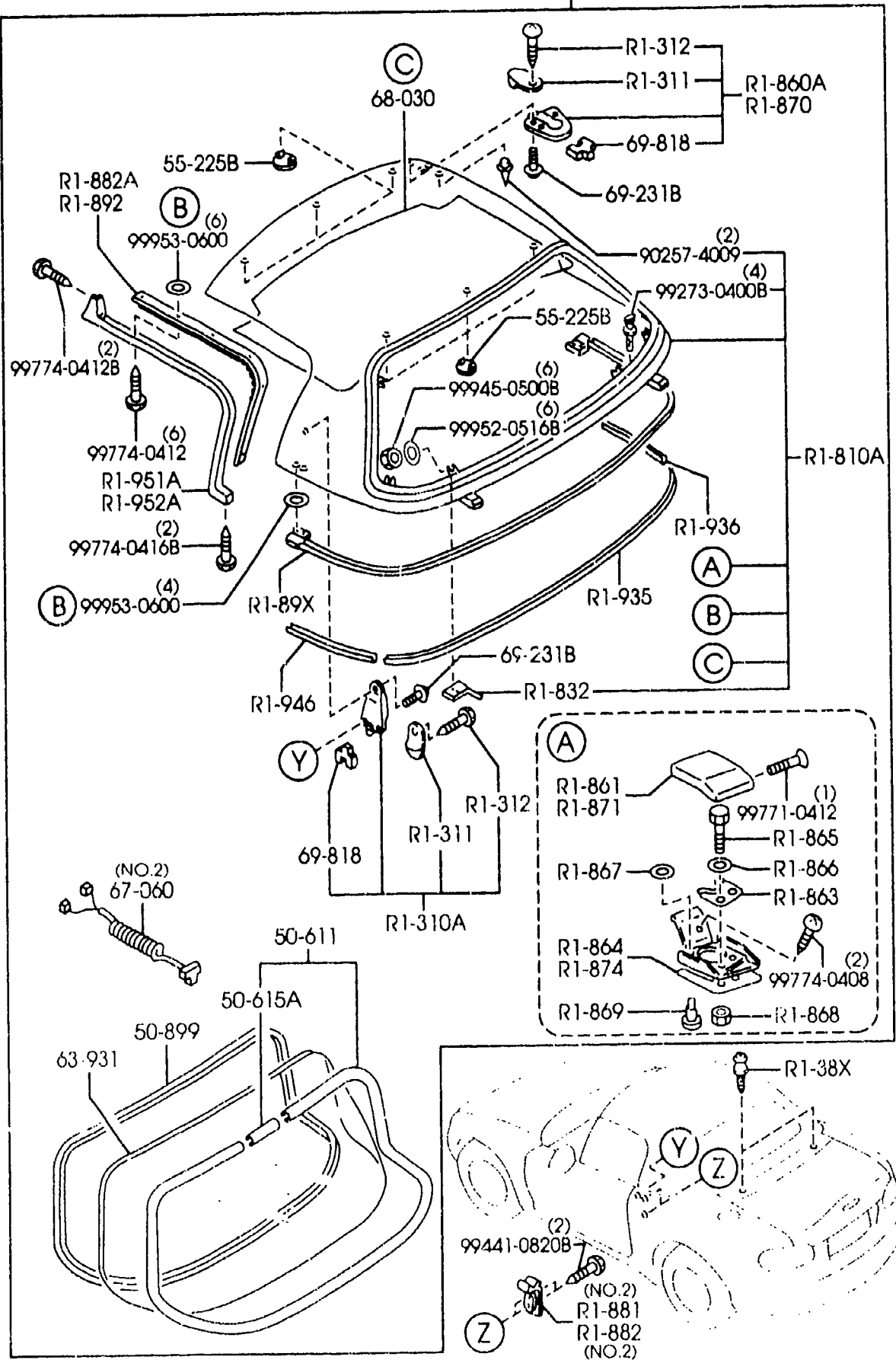
(W/DETACHABLE HARD TOP)



| PART NO. | QTY | MODEL/RESTRICTION | MODEL/RESTRICTION | MODEL/RESTRICTION | FROM-TO |
|----------------------------------|-----|---|-------------------------------|-------------------|---------|
| CONT'D NC10-R1-832 | 1 | (FOR LEFT SIDE) (W/DETACHABLE HARD T OP) | | | |
| NC10-R1-833 | 1 | (FOR RIGHT SIDE) (W/DETACHABLE HARD T OP) | | | |
| ----- R1-860A ----- | | LOCK(R),TOP | VERROU(D),PANNEA PLA F.-AV | | |
| NA01-R1-310G | 1 | (W/O DETACHABLE HARD TOP) | | | -1716 |
| NA01-R1-310G A (NA01-R1-310J) | 1 | (W/DETACHABLE HARD T OP) | | | |
| NA01-R1-310J | 1 | (W/DETACHABLE HARD T OP) | | | 1716- |
| ----- R1-861 ----- | | COVER(R),DECK LOCK | COUVERCLE,VERROU COU VERT. | | |
| NA01-R1-861 | 1 | (W/DETACHABLE HARD T OP) | | | |
| ----- R1-863 ----- | | PLATE,DECK LOCK | PLAQUE,VERROU COUVER T. | | |
| NA01-R1-863 | 2 | (W/DETACHABLE HARD T OP) | | | |
| ----- R1-864 ----- | | SHEET(R),DECK LOCK | TOLE(G),VERROU COUVE RT. | | |
| NA01-R1-864 | 1 | (W/DETACHABLE HARD T OP) | | | |
| ----- R1-865 ----- | | BOLT,DECK LOCK | BOULON,VERROU COUVER T. | | |
| NA01-R1-865 | 4 | (W/DETACHABLE HARD T OP) | | | |
| ----- R1-866 ----- | | WASHER'A',DECK LOCK | RONDELLE'A',VERROU C OUVER | | |
| NA01-R1-866 | 4 | (W/DETACHABLE HARD T OP) | | | |
| ----- R1-867 ----- | | WASHER'B',DECK LOCK | RONDELLE'B',VERROU C OUVER | | |
| NA01-R1-867 | 2 | (W/DETACHABLE HARD T OP) | | | |
| ----- R1-868 ----- | | NUT,DECK LOCK | ECROU,VERROU COUVERT | | |
| NA01-R1-868 | 4 | (W/DETACHABLE HARD T OP) | | | |
| ----- R1-869 ----- | | PIN,DECK LOCK | AXE,VERROU COUVERT. | | |
| NA01-R1-869 | 2 | (W/DETACHABLE HARD T OP) | | | |

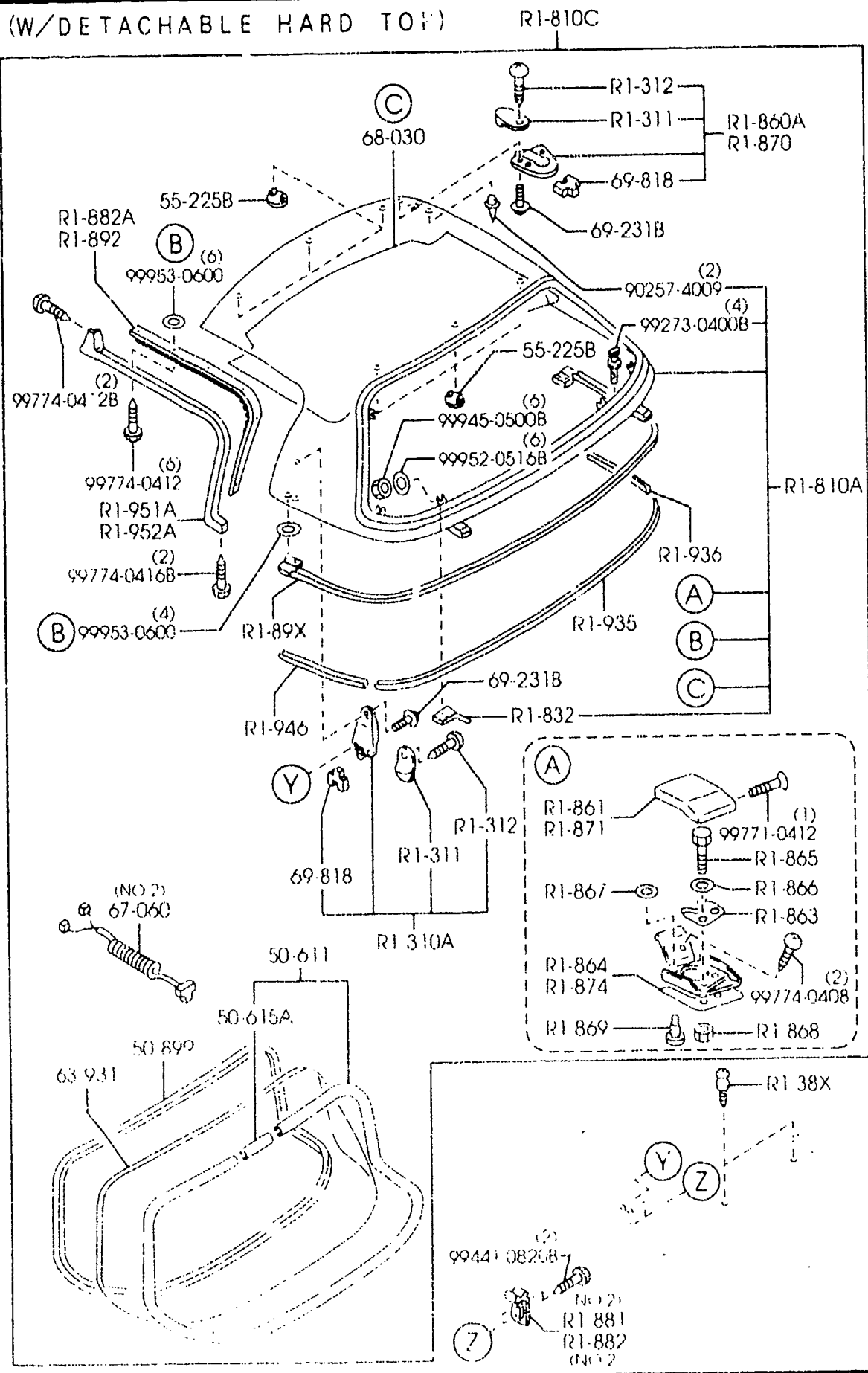
1716 NB35**220116

(W/DETACHABLE HARD TOP)

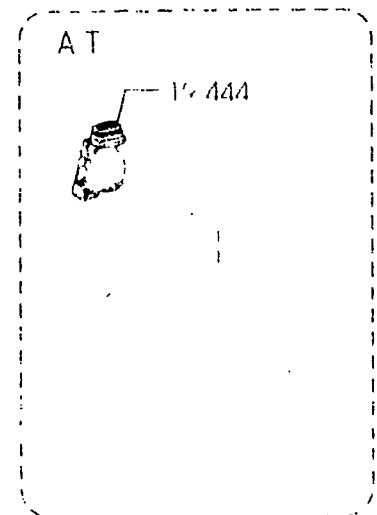
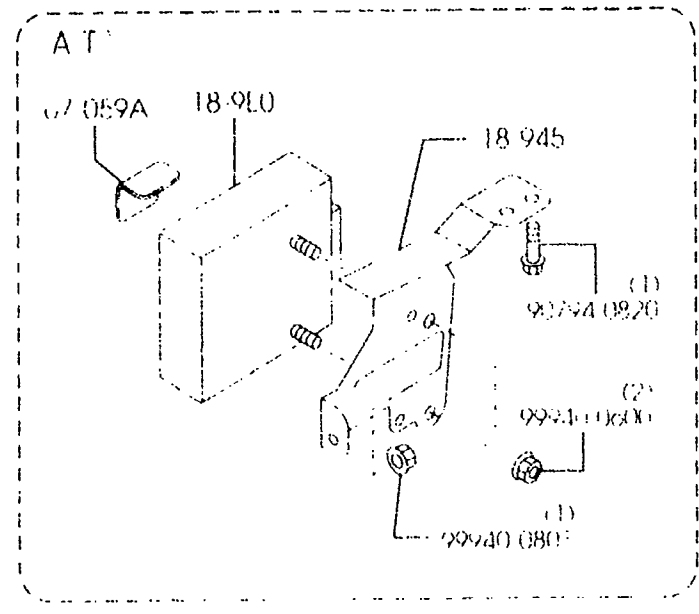
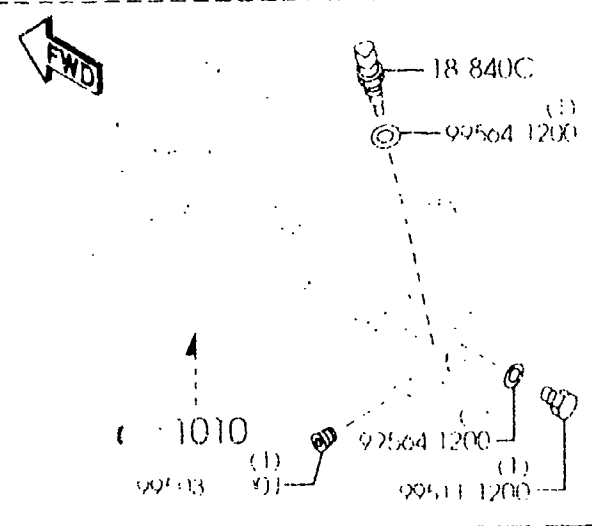
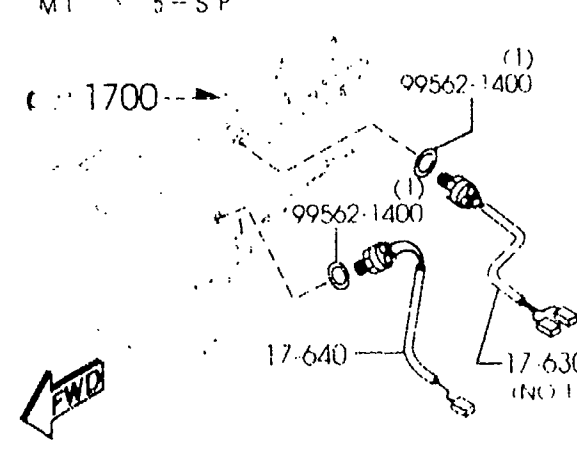
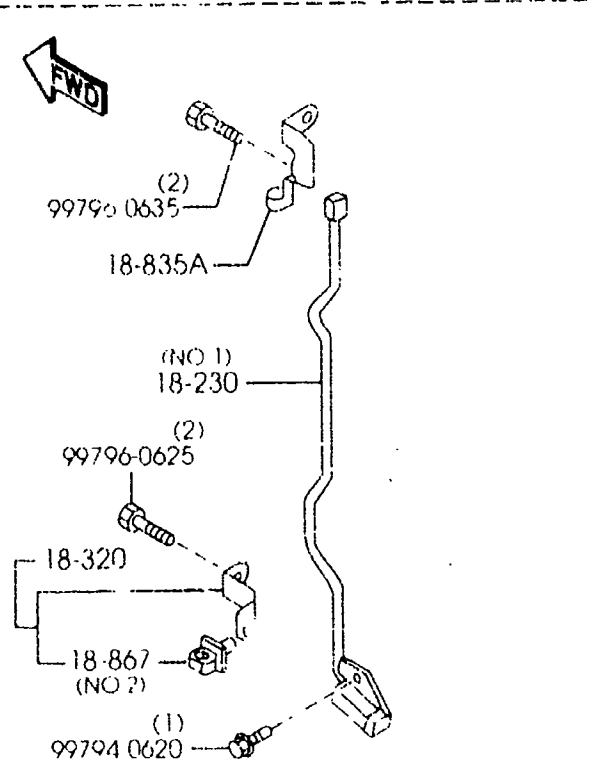
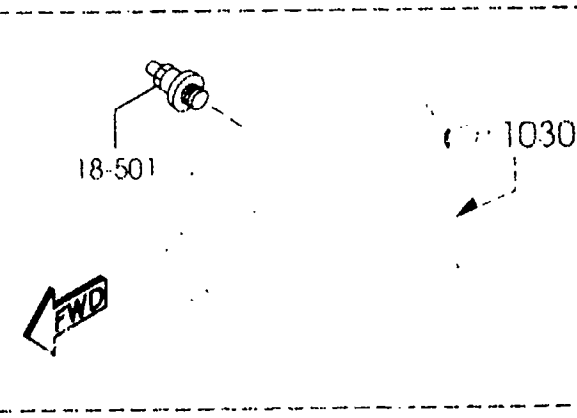
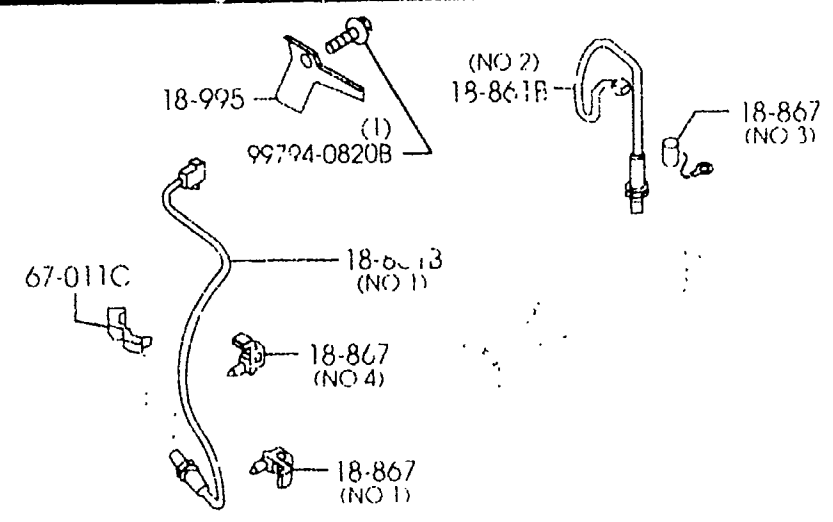
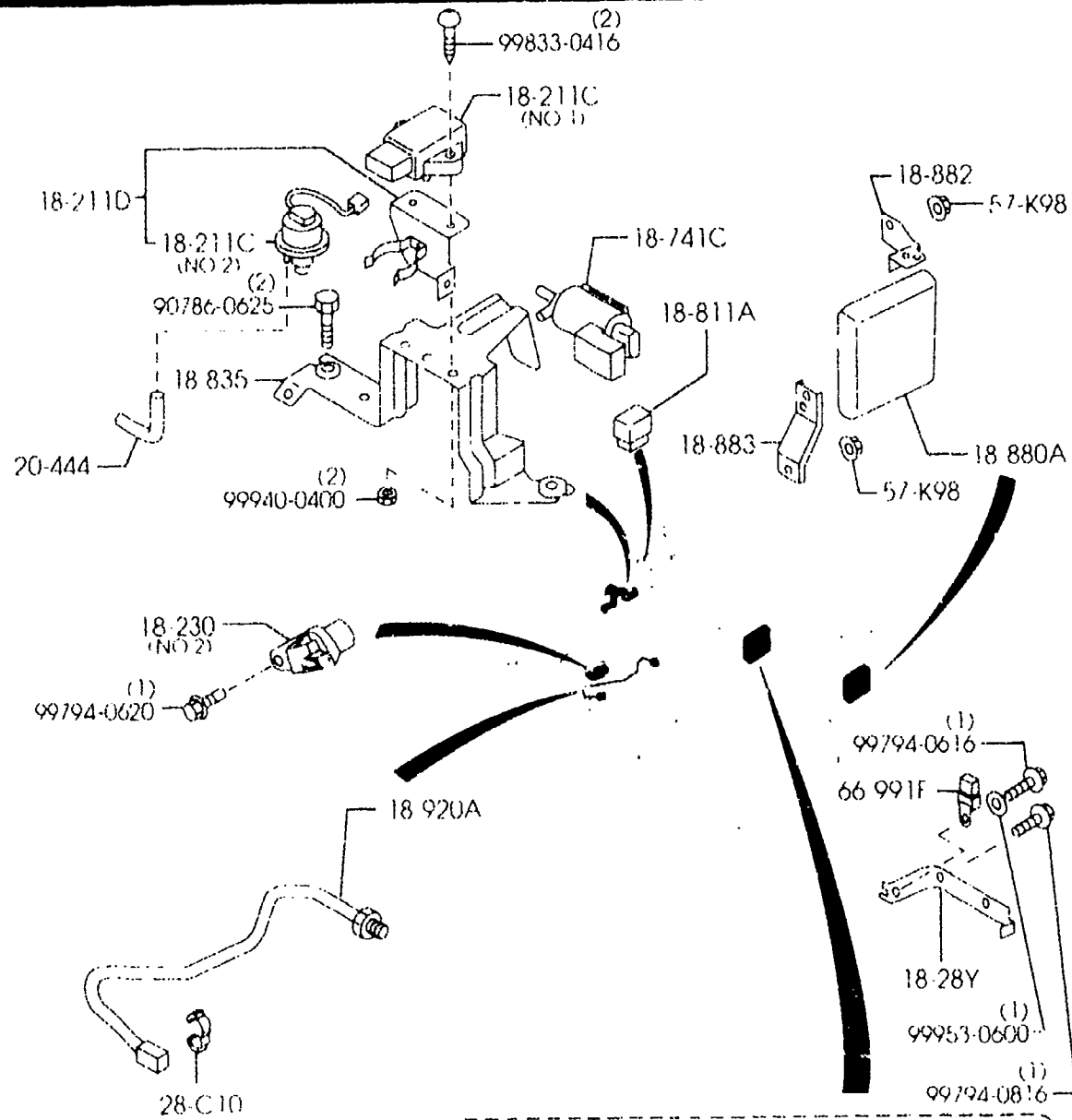


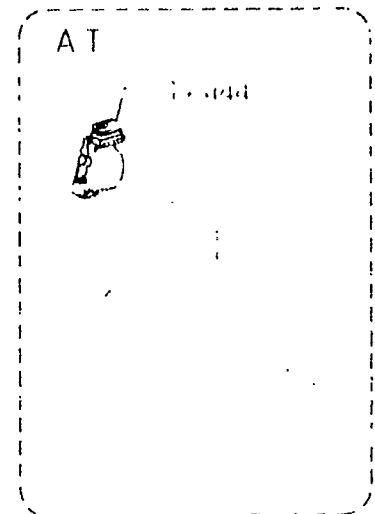
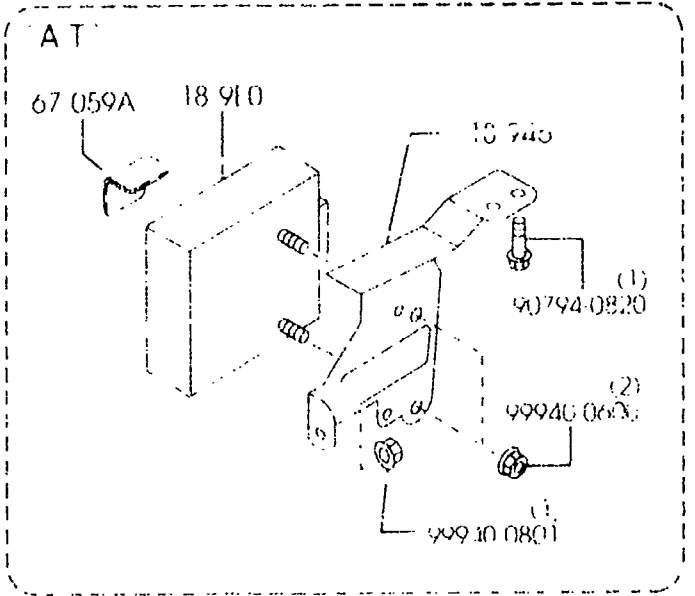
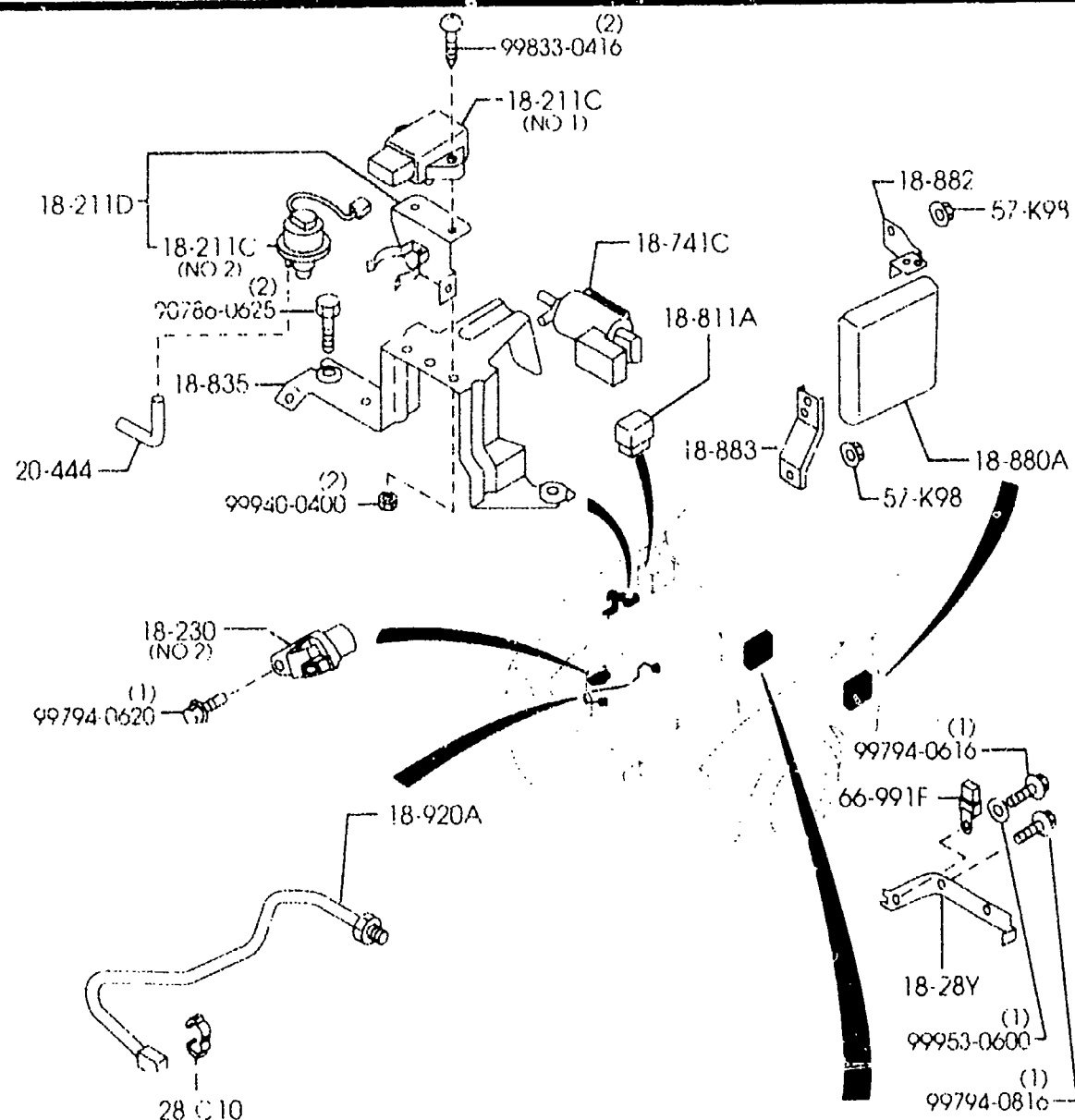
| PART NO. | QTY | MODEL/RESTRICTION | MODEL/RESTRICTION | MODEL/RESTRICTION | FROM-TO |
|---------------------------|------|---------------------------|-----------------------------|-------------------|---------|
| CONT'D | | | | | |
| NA01-R1-936A | 1 | (W/DETACHABLE HARD TOP) | | | |
| ----- R1-946 ----- | | PROTECTOR(L), EDGE-D. TOP | PROTECTEUR(G), BOUT-T. PORT | | |
| NA01-R1-946A | 1 | (W/DETACHABLE HARD TOP) | | | |
| ----- R1-951A ----- | | WTHSTP(R), ROOF PANEL | JOINT VITRE(D), PANN. PLAF | | |
| NC10-R1-881D | 1 | (W/DETACHABLE HARD TOP) | | | |
| ----- R1-952A ----- | | WTHSTP(L), ROOF PANEL | JOINT VITRE(G), PANN. PLAF | | |
| NC10-R1-891D | 1 | (W/DETACHABLE HARD TOP) | | | |
| ----- R1-958 ----- | | WASHER, HOOK 'A' & 'B' | RONDELLE, CROCHET 'A' & 'B' | | |
| B235-R1-958A | 4 | | | | |
| ----- R1-96X ----- | | COVER, TOP FABRIC | COUVERCLE, TOILE TETE | | |
| NC10-R1-960C | 1 | | | | |
| 21 | INT- | NB4 NBB TAN | NB4 NBB TAN | | |
| 66 | INT- | NB3 BLACK | NB3 NOIR | | |
| ----- R1-96Z ----- | | HOOK, TOP BOOT | CROCHET, | | |
| NA01-R1-96Z | 5 | (ILLUST. NO.1) | | | |
| 00 | INT- | NB3 BLACK | NB3 NOIR | | |
| 75 | INT- | NB4 NBB SILVER | NB4 NBB ARGENT | | |
| NC10-R1-96Z | 4 | (ILLUST. NO.2) | | | |
| ----- R1-970 ----- | | HOOK, REAR DECK | CROCHET, COUVERTURE A R | | |
| NC10-R1-970B | 4 | | | | |
| ----- R1-981 ----- | | STOPPER, SOFT TOP | ARRET, TOIT TOILE | | |
| NA01-R1-981A | 2 | | | | |
| ----- R1-982 ----- | | BOLT, STOPPER-SOFT TOP | BOULON, ARRET-TOIT TOILE | | |
| NA01-R1-982B | 2 | | | | |
| ----- 50-611 ----- | | MOULD, RR. WINDOW | MOULURE FENETRE ARR. | | |
| NAY1-63-930 | 1 | (W/DETACHABLE HARD TOP) | | | |

(W/DETACHABLE HARD TOP)



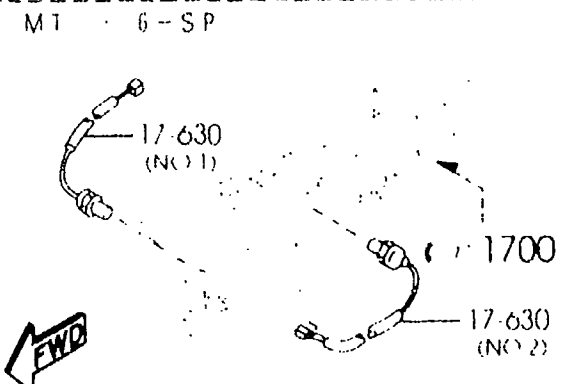
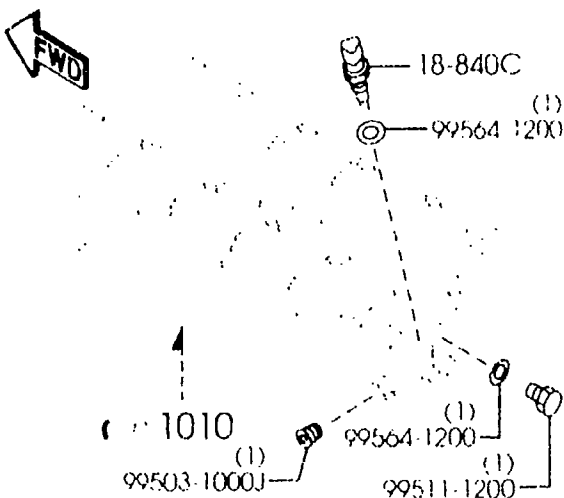
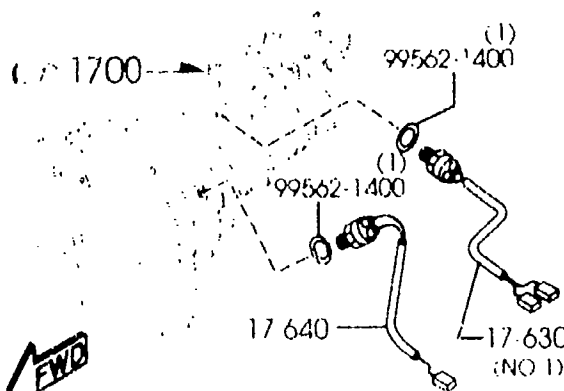
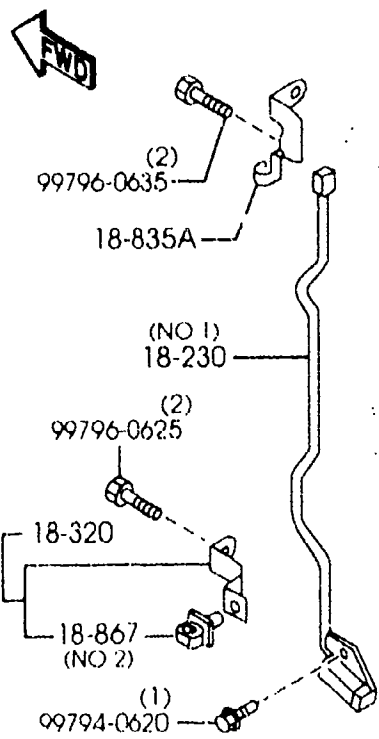
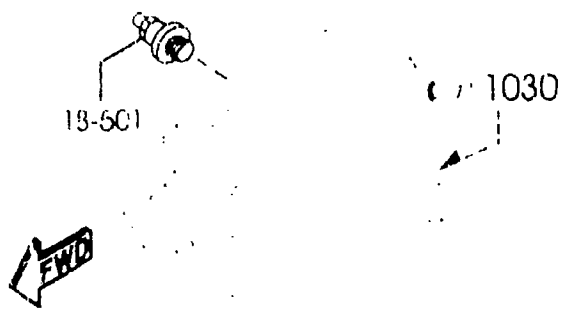
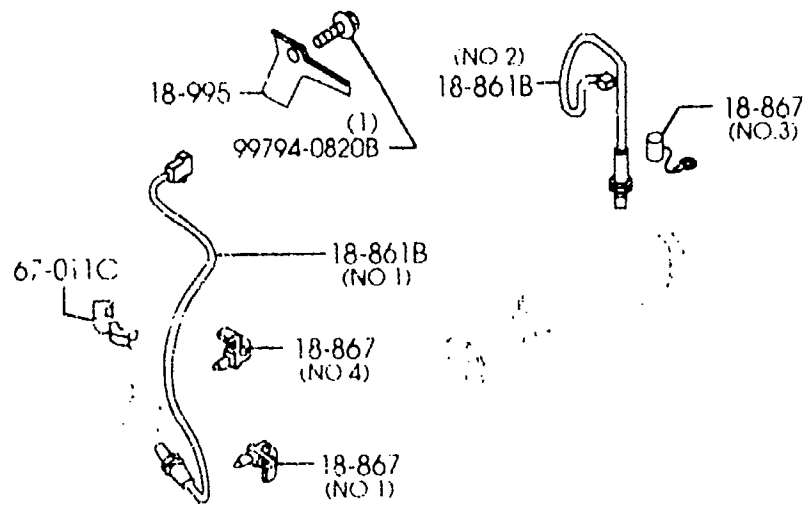
| PART NO. | QTY | MODEL/RESTRICTION | MODEL/RESTRICTION | MODEL/RESTRICTION | FROM-TO |
|------------------------|-----|-------------------|-------------------|-------------------|---------|
| CONT'D NA01-R1-313B | 2 | | | | |





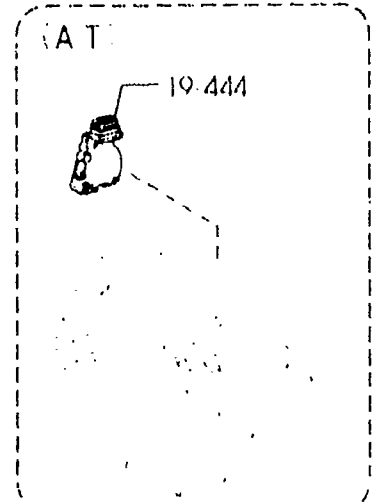
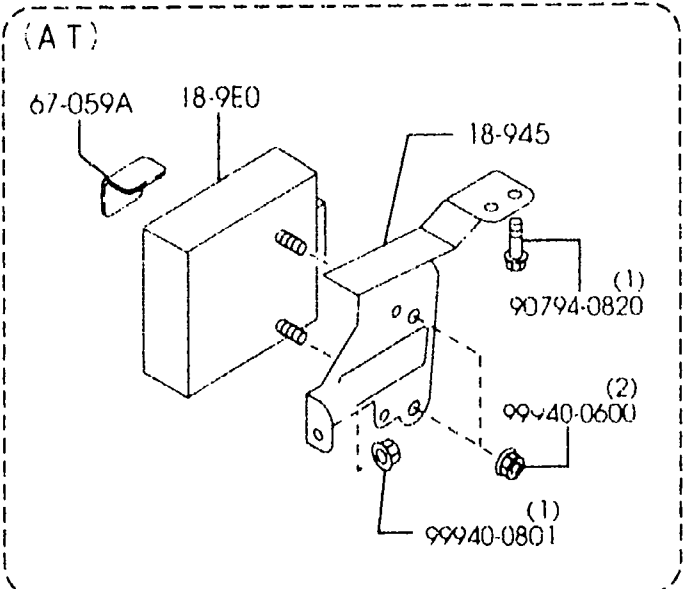
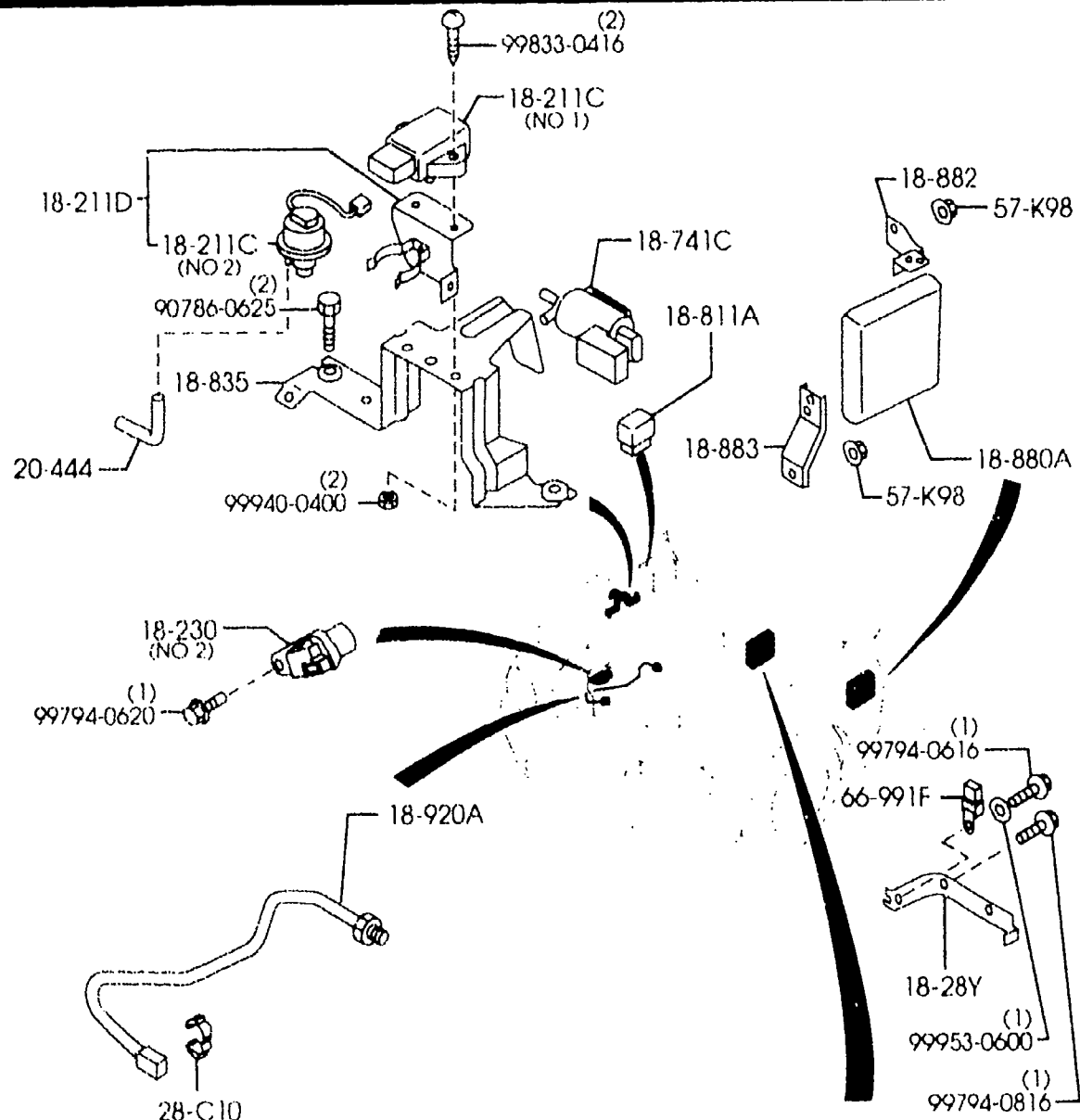
| PART NO. | QTY | MODEL/RESTRICTION | MODEL/RESTRICTION | MODEL/RESTRICTION | FROM-TO |
|----------------------------------|-----|-----------------------------|------------------------------|-------------------|-----------|
| 17-630 | | SWITCH | COMMUNTEUR | | |
| Y601-17-640 | 1 | (ILLUST. NO.1) (6-SP) | (6-VITS) | | |
| Y602-17-640 | 1 | (ILLUST. NO.2) (6-SP) | (6-VITS) | | |
| 8118-17-640B | 1 | (ILLUST. NO.1) (5-SP) | (5-VITS) | | |
| 17-640 | | SWITCH, BACK UP LAMP | COMMUNTEUR, FEU DE RECU | | |
| M507-17-640 | 1 | (5-SP) | (5-VITS) | | |
| 18-211C | | SENSOR, BOOST | CAPTEUR DE DEPRESSION D'ADM. | | |
| BP4W-18-211 | 1 | (ILLUST. NO.1) | | | |
| BP6F-18-211 | 1 | (ILLUST. NO.2) | | | |
| 18-211D | | SENSOR, BOOST | CAPTEUR DE DEPRESSION D'ADM. | | |
| BP6F-18- | 1 | | | | |
| 18-230 | | SENSOR, CRANKSHAFT POSITION | DETECTEUR, ANGLE MANIVEL. | | |
| BP4W-18-221B | 1 | (ILLUST. NO.1) | | | |
| BP4W-18-230 | 1 | (ILLUST. NO.2) | | | |
| 18-28Y | | BRACKET, CONDENSER | SUPPORT, CADRE CONDENSAT. | | |
| BP6D-18-28X | 1 | | | | |
| 18-320 | | BRACKET | SUPPORT | | |
| BP4W-18-28YA AN(BP4W-18-28YB) | 1 | | | | -0801 |
| BP4W-18-28YB | 1 | | | | 0801-0908 |
| BP6D-18-28Y | 1 | | | | 0908- |
| 18-501 | | SWITCH, OIL PRESSURE | INTERRUPTEUR, PRESSION HUILE | | |
| P307-18-501 | 1 | | | | |
| 18-741C | | VALVE, SOLENOID | SOUPAPE DE SOLENOID | | |
| BP4Y-18-741 | 1 | | | | |
| 18-811A | | RELAY, CONTROL | RELAIS DE COMMANDE | | |
| B5B4-18-811 | 1 | | | | |
| 18-835 | | BRACKET, WIRE CLIP-OXYGEN | CORNIERE, CLIP O CABLE/OXY | | |

0801 NB35**-200666
0908 NB35**-204086

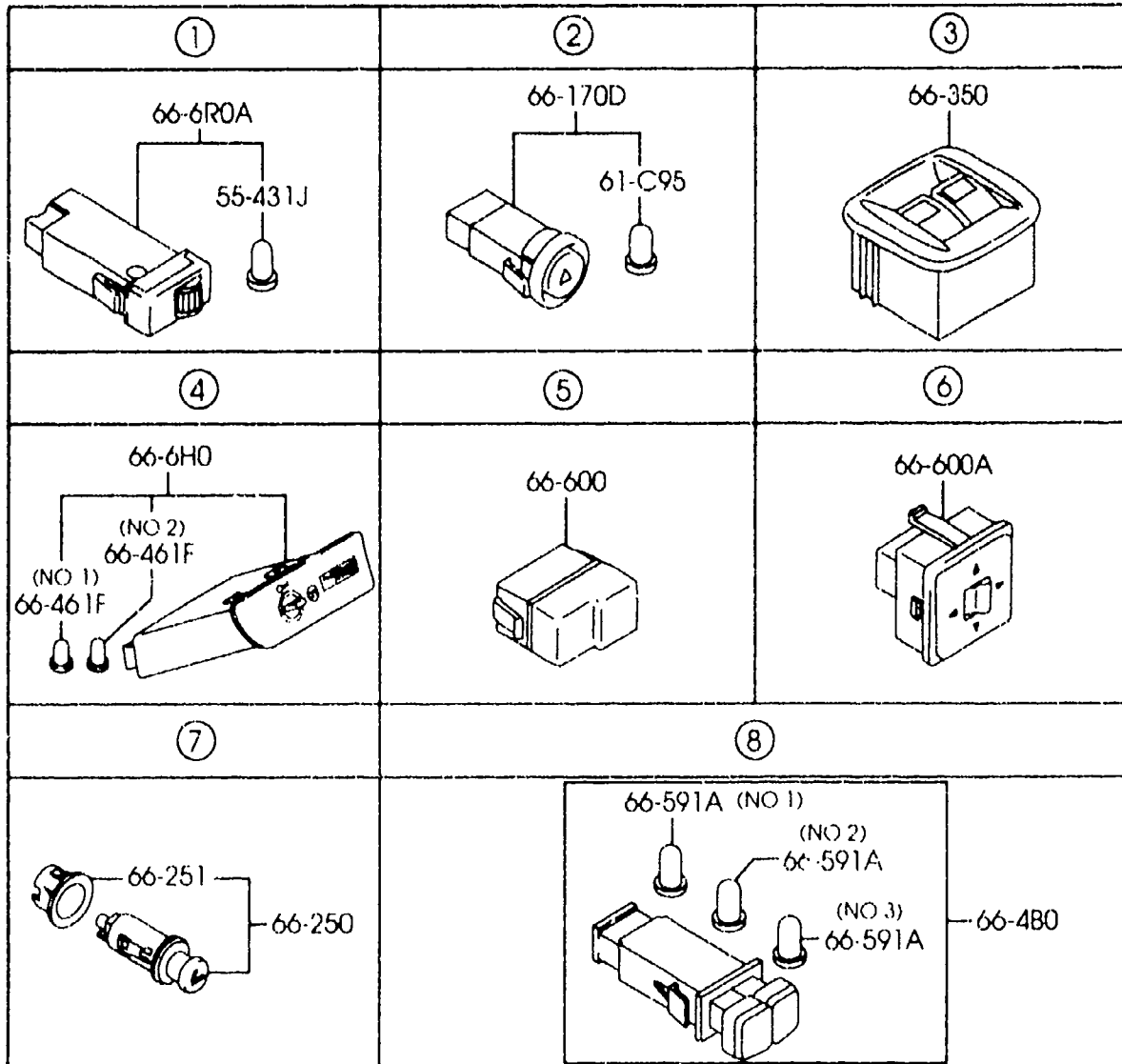
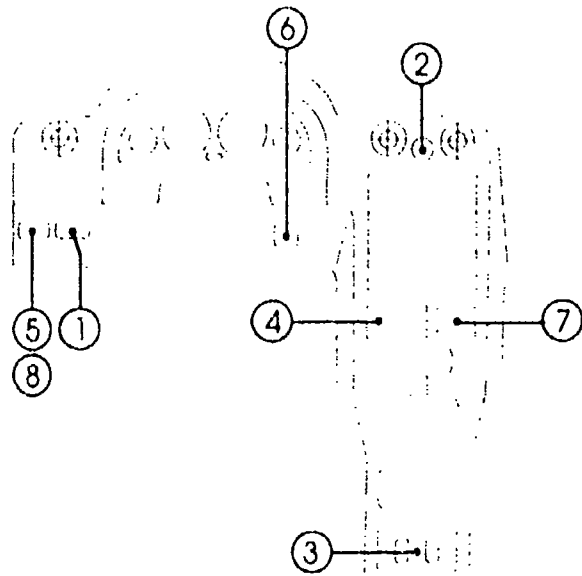


| PART NO. | QTY | MODEL/RESTRICTION | MODEL/RESTRICTION | MODEL/RESTRICTION | FROM-TO |
|------------------|-----|------------------------------|------------------------------|-------------------|-----------|
| CONT'D | | | | | |
| EP4W-18-835A | 1 | | | | |
| 18-835A | | BRACKET | SUPPORT, DETECT. SURPRES. | | |
| BP4Y-18-835A | 1 | | | | |
| 18-840C | | SENSOR, TEMP. - ENG. COOLANT | CAPTEUR DE TEMPERATURE D'EAU | | |
| KLK1-18-840 | 1 | | | | |
| 18-861B | | SENSOR, OXYGEN | CAPTEUR D'OXYGENE | | |
| BP6F-18-861B | 1 | (ILLUST. NO.1) | | | |
| BP6G-18-861B | 1 | (ILLUST. NO.2) | | | -0915 |
| A (BP6G-18-861C) | | | | | |
| BP6G-18-861C | 1 | (ILLUST. NO.2) | | | 0915- |
| 18-867 | | CLIP | ATTACHE | | |
| BPE8-18-867A | 1 | (ILLUST. NO.1) | | | |
| B367-18-867 | 1 | (ILLUST. NO.2) | | | |
| B6EX-18-867 | 1 | (ILLUST. NO.3) | | | |
| G607-18-867 | 1 | (ILLUST. NO.4) | | | |
| 18-880A | | MODULE, POWERTRAIN CONTROL | UNITE COMMANDE, INJECTION | | |
| BP6F-18-881C | 1 | (MT) | (B.V. MANU) | | -0C25 |
| A (BP6F-18-881D) | | | | | |
| BP6H-18-881C | 1 | (AT) | (B.V. AUTOM) | | -0C25 |
| A (BP6H-18-881D) | | | | | |
| BP6F-18-881D | 1 | (MT) | (B.V. MANU) | | 0C25-1701 |
| A (BP6F-18-881F) | | | | | |
| BP6H-18-881D | 1 | (AT) | (B.V. AUTOM) | | 0C25-1701 |
| A (BP6H-18-881F) | | | | | |
| BP6F-18-881F | 1 | (MT) | (B.V. MANU) | | 1701-1820 |
| A (BP6F-18-881G) | | | | | |
| BP6H-18-881F | 1 | (AT) | (B.V. AUTOM) | | 1701-1820 |
| A (BP6H-18-881G) | | | | | |
| *BP6F-18-881G | 1 | (MT) | (B.V. MANU) | | 1820- |
| *BP6H-18-881G | 1 | (AT) | (B.V. AUTOM) | | 1820- |
| 18-882 | | BRACKET, CONTROL UNIT | SUPPORT, UNITE CONTROL | | |
| BP4W-18-882 | 1 | | | | |
| 18-883 | | BRACKET, CONTROL UNIT | SUPPORT, UNITE CONTROL | | |
| BP4W-18-883 | 1 | | | | |

0915 NB35**-204335
 0C25 NB35**-208411
 1701 NB35**-219555
 1820 NB35**-221227

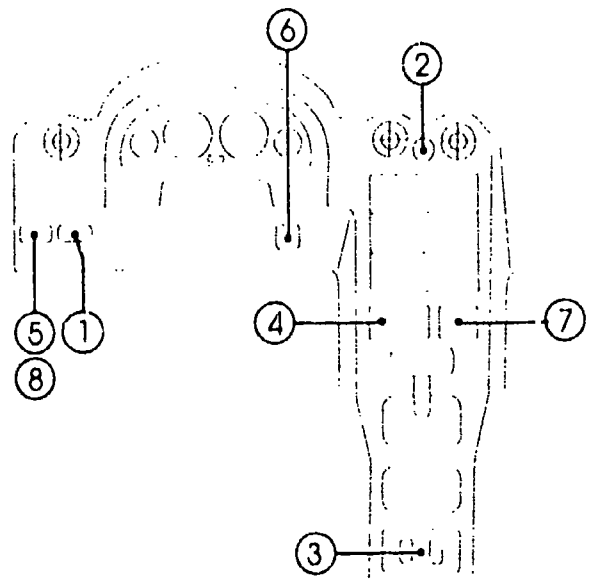


| PART NO. | QTY | MODEL/RESTRICTION | MODEL/RESTRICTION | MODEL/RESTRICTION | FROM-TO |
|--------------|-----|-------------------------|------------------------|-------------------|---------|
| 18-9E0 | | MODULE, PWT. CONT. -A/T | UNITE, CONTROLE-A/T. | | |
| BP6H-18-9E1 | 1 | (AT) | (B.V. AUTOM) | | |
| 18-920A | | SENSOR, KNOCK | CAPTEUR DE CLIQUETIS | | |
| JEB3-18-921A | 1 | | | | |
| 18-945 | | BRACKET, CONT. UNIT | SUPPORT, UNITE CONTROL | | |
| BP5B-18-945A | 1 | (AT) | (B.V. AUTOM) | | |
| 18-995 | | CLIP | ATTACHE | | |
| BP6D-18-996 | 1 | | | | |
| 19-444 | | SWITCH, INHIBITOR | RELAIS | | |
| BV8B-19-444 | 1 | (AT) | (B.V. AUTOM) | | |
| 20-444 | | TUBE, VACUUM | TUBE, DEPRESSION | | |
| JE02-20-444 | 1 | | | | |
| 28-C10 | | BAND, PIPE | BANDE, TUYAU | | |
| JE48-18-868 | 1 | | | | |
| 57-K98 | | NUT | ECROU, MODULE SAC AIR | | |
| FC66-57-K98 | 3 | | | | |
| 66-991F | | CONDENSER | CONDENSATEUR | | |
| ZL01-66-991 | 1 | | | | |
| 67-011C | | CLIP | CLIP | | |
| E356-18-141 | 1 | | | | |
| 67-059A | | PROTECTOR | PROTECTEUR | | |
| S001-67-153 | 1 | (AT) | (B.V. AUTOM) | | |



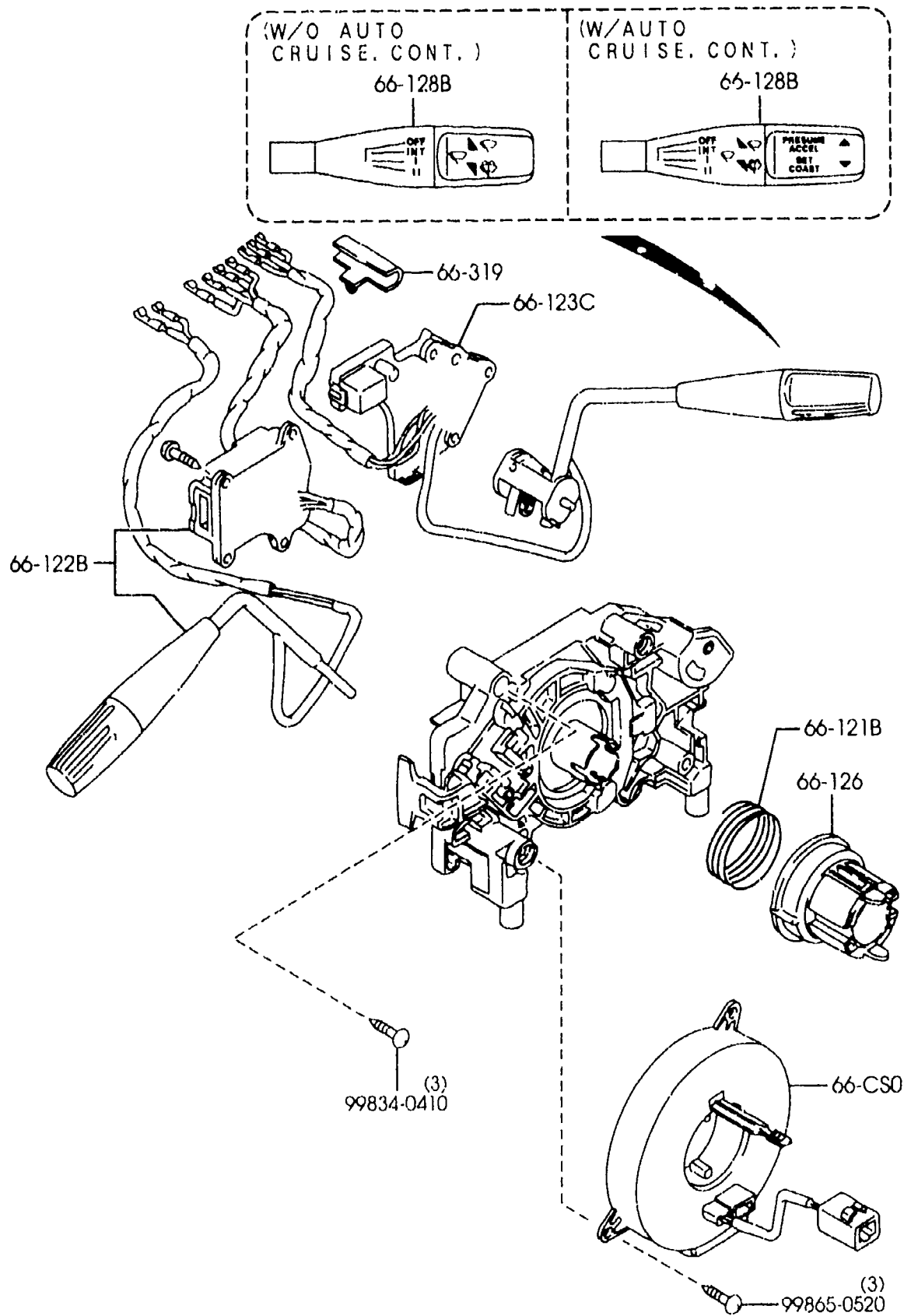
| PART NO. | QTY | MODEL/RESTRICTION | MODEL/RESTRICTION | MODEL/RESTRICTION | FROM-TO |
|------------------------|------|--|-------------------------------|-------------------|---------|
| 55-431J NC72-55-431 | 1 | BULB 'A', METER SET | AMPOULE 'A', GROUPE COMPT. | | |
| 61-C95 B455-61-C95 | 1 | BULB, MODE CONTROL | AMPOULE, COMMANDE DE MODE | | |
| 66-170D NC10-66-4H0 | 1 | SWITCH, HAZARD | COMMUTATEUR, HAZARD | | |
| 66-250 F146-66-250 | 1 | LIGHTER, CIGAR | ALLUME-CIGARE | | |
| 66-251 N066-66-251 | 1 | RING, ILLUMINATION | ANNEAU, ECLAIRAGE TABLEAU | | |
| 66-350 NC72-66-350 | 1 | SWITCH, POWER WINDOW | INTERR., VITRE ELECTRIQUE | | |
| 02 | INT- | NB3 NB5 NB9 BLACK | NB3 NB5 NB9 NOIR | | |
| 21 | INT- | NB4 NB8 TAN | NB4 NB8 TAN | | |
| 66-480 NC72-66-480 | 1 | SWITCH, FOG-FRONT (W/FRONT FOG LAMP+W/O AUTO CRUISE CONT.) | INTERR., ANTIBROU.-AV | | |
| NC73-66-480 | 1 | (W/FRONT FOG LAMP+W/AUTO CRUISE CONT.) | | | |
| 66-461F NC10-66-461 | 1 | BULB, SWITCH-HAZARD (ILLUST. NO.1) | AMPOULE, INTERRUPT-DA NGER | | |
| NC72-66-461 | 1 | (ILLUST. NO.2) | | | |
| 66-591A NC11-66-581 | 1 | BULB (ILLUST. NO.1) (W/FRONT FOG LAMP+W/AUTO CRUISE CONT.) | AMPOULE, INT'RPT PARC LANG | | |
| NC12-66-581 | 1 | (ILLUST. NO.2) (W/FRONT FOG LAMP+W/AUTO CRUISE CONT.) | | | |
| NC72-66-581 | 2 | (ILLUST. NO.3) (W/FRONT FOG LAMP+W/AUTO CRUISE CONT.) | | | |
| 66-6HO NC11-66-581 | 1 | SWITCH, CUT OFF-AIR B AG | INTERRUPT., COUPURE-S AIR | | |

6610A DASHBOARD SWITCHES



| | | |
|---|---|---|
| ① | ② | ③ |
| | | |
| ④ | ⑤ | ⑥ |
| | | |
| ⑦ | ⑧ | |
| | | |

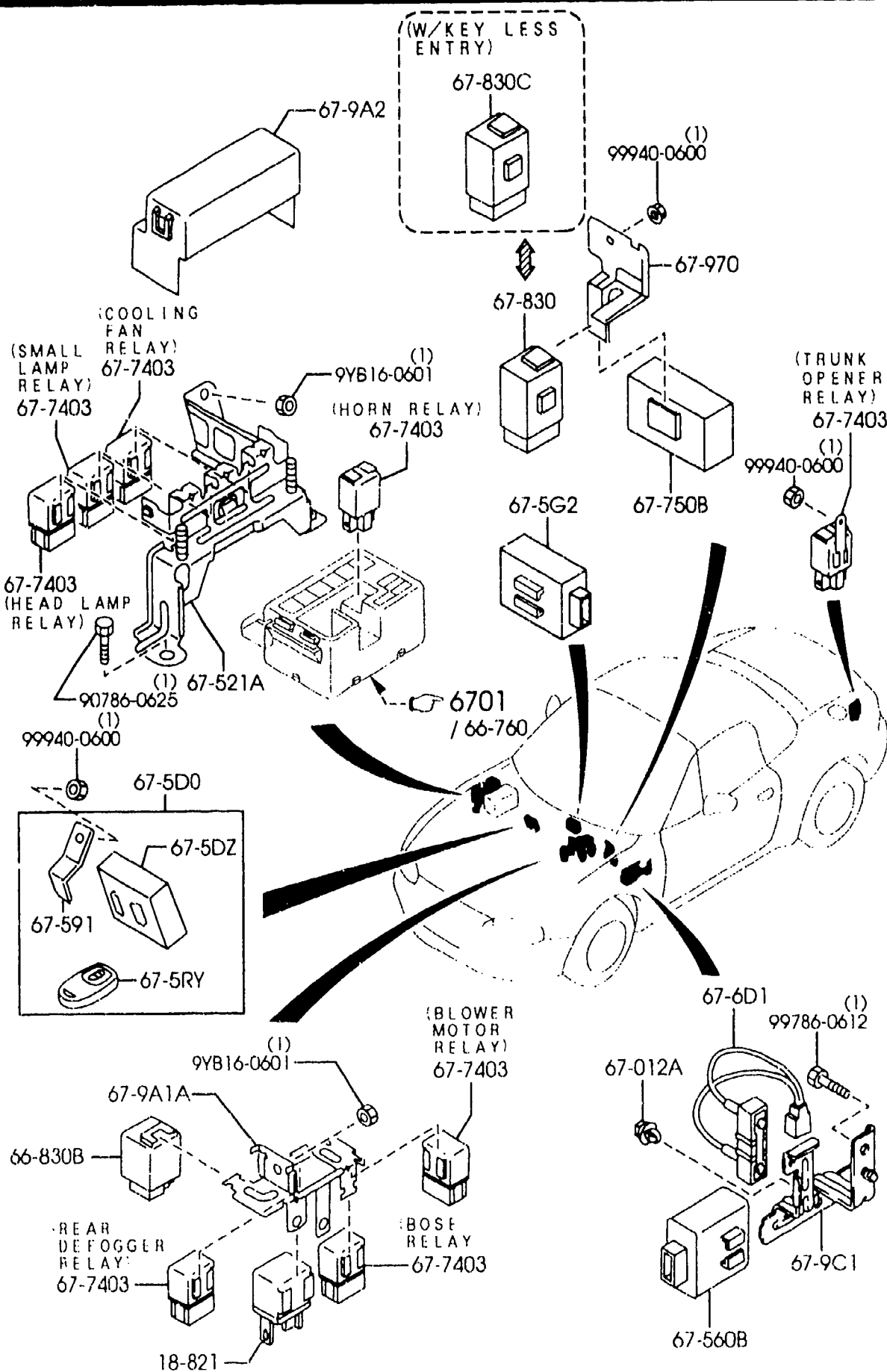
| PART NO. | QTY | MODEL/RESTRICTION | MODEL/RESTRICTION | MODEL/RESTRICTION | FROM-TO |
|-----------------------|-----|---|-------------------|-------------------|---------|
| CONT'D NC72-66-6H0 | 1 | | | | |
| 66-6R0A | | UNIT, RESISTOR | UNITE, REGISTANCE | | |
| NC72-66-6R0 | 1 | | | | |
| 66-600 | | COVER, HOLE | BOUCHON | | |
| B481-55-225 | 1 | (W/O FRONT FOG LAMP+ W/O AUTO CRUISE CONT) | | | |
| 66-600A | | SWITCH, RMT. MIRROR | INTERR., | | |
| GJ84-66-600A | 1 | | | | |



| PART NO. | QTY | MODEL/RESTRICTION | MODEL/RESTRICTION | MODEL/RESTRICTION | FROM-TO |
|--------------|-----|---|------------------------------|-------------------|---------|
| 66-CS0 | | SPRING,CLOCK | RESSORT MONTRE | | |
| GE8C-66-CS0A | 1 | TOKAI RIKAI (SUPPLIER IN SELECTION) | TOKAI RIKAI | | |
| N066-66-CS0 | 1 | ALPS (SUPPLIER IN SELECTION) | ALPS | | |
| 66-121B | | SPRING,CANCEL CAM | RESSORT,CAME D'ANNULATION | | |
| H384-66-121 | 1 | | | | |
| 66-122B | | SWITCH,LIGHT & TURN | INTERR.ECLAIRAGE ET CLIGNOT. | | |
| NC11-66-122 | 1 | | | | |
| 66-123C | | UNIT,WIPER-COMB. SWITCH (W/O AUTO CRUISE CONT.) | UNITE,ESSUY.-INTERRUPT. | | |
| NC10-66-135 | 1 | | | | |
| 66-126 | | CAM,CANCEL-COMB. SW. | CAME,ANNUL.-INTERRUPT. COMB. | | |
| NC11-66-126 | 1 | | | | |
| 66-128B | | LEVER,WIPER-COMB. SWITCH (W/O AUTO CRUISE CONT.) | LEVIER,ESSUY.-INTERRUPT. | | |
| NC10-66-128 | 1 | | | | |
| NC11-66-128 | 1 | (W/AUTO CRUISE CONT.) | | | |
| 66-319 | | CLIP | ATTACHE | | |
| NC11-66-139 | 1 | | | | |

6630A BODY RELAYS & UNIT

6630A -1 BODY RELAYS & UNIT



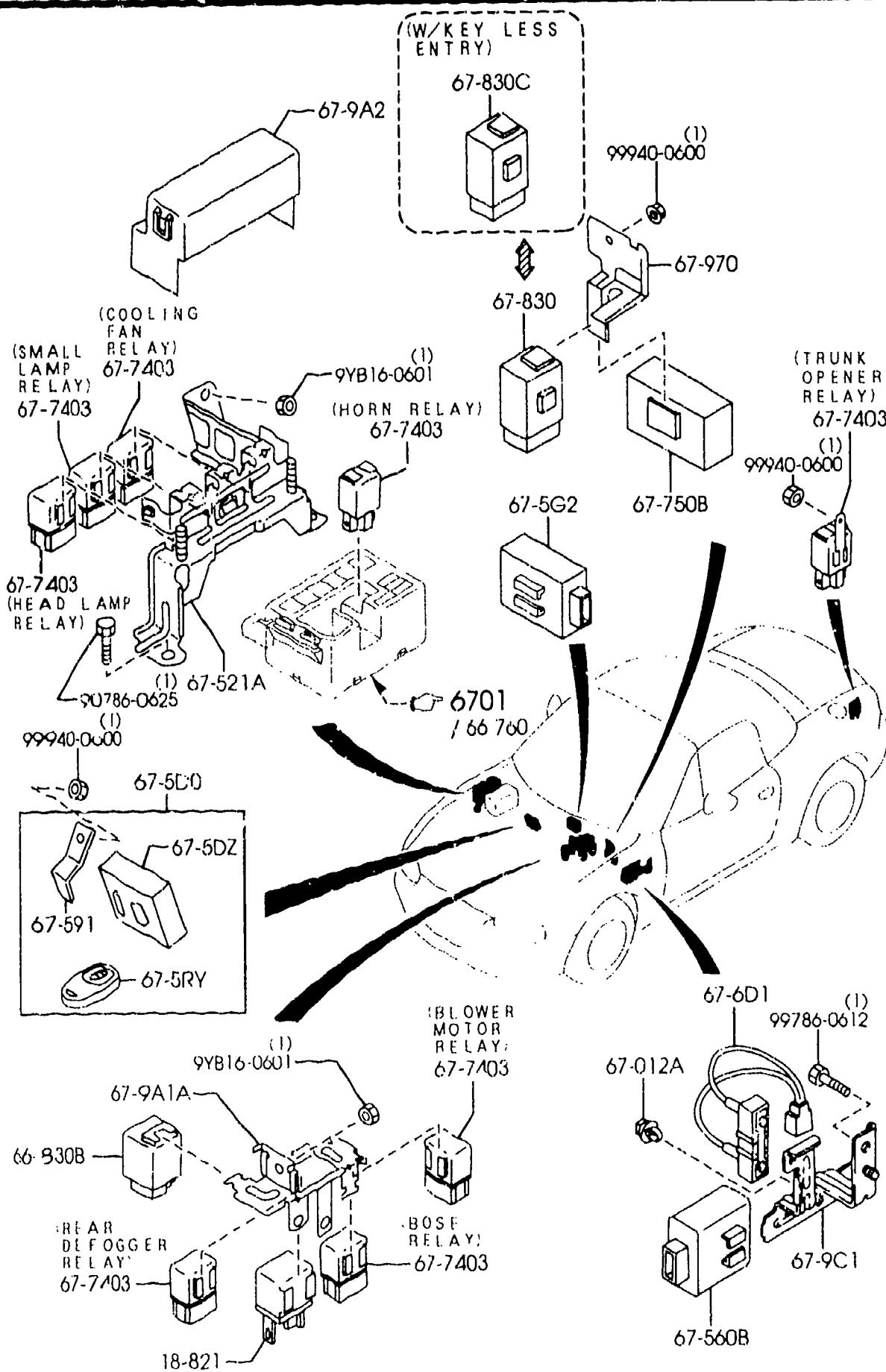
| PART NO. | QTY | MODEL/RESTRICTION | MODEL/RESTRICTION | MODEL/RESTRICTION | FROM-TO |
|------------------|----------------------|----------------------|----------------------|-------------------|---------|
| 18-821 | | RELAY,FUEL PUMP | RELAIS D'OUVERTURE C | | |
| B5B4-18-821 | 1 | | IRCUIT | | |
| 66-830B | | UNIT,FLASHER | CENTRALE DE CLIGNOTE | | |
| LC62-66-830 | 1 | | MENT | | |
| 67-012A | | CLIP | ATTACHE | | |
| LA31-67-C11 | 1 (AT) | | (B.V.AUTOM) | | |
| 67-5DZ | | KEYLESS ENTRY SET | JEU ENTREE SANS CLE | | |
| TC86-67-5DZB | 1 (W/KEY LESS ENTRY) | | | | -1820 |
| *BL8D-67-5DZ | 1 (W/KEY LESS ENTRY) | | | | 1820- |
| 67-5D0 | | UNIT/TRANSMITTER,KEY | GRUPE/TRANSFIT,SANS | | |
| NC72-67-5D0A | 1 (W/KEY LESS ENTRY) | LESS | -CLE | | -0823 |
| A (NC72-67-5D0B) | | | | | |
| NC72-67-5D0B | 1 (W/KEY LESS ENTRY) | | | | 0823- |
| 67-5G2 | | UNIT,IMMOBILIZER | UNITE,IMMOBILIZATEUR | | |
| LC62-67-5G2A | 1 | | | | -0907 |
| A (LC62-67-5G2B) | | | | | |
| LC62-67-5G2B | 1 | | | | 0907- |
| 67-5RY | | TRANSMITTER SET,KEYL | JEU TRANSMETTEUR,SAN | | |
| TC86-67-5RYB | 2 (W/KEY LESS ENTRY) | ESS | S CLE | | -0823 |
| AN(TC86-67-5RYC) | | | | | |
| TC86-67-5RYC | 2 (W/KEY LESS ENTRY) | | | | 0823- |
| 67-521A | | BRACKET | ATTACHE | | |
| N066-67-9BYA | 1 | | | | |
| 67-560B | | UNIT,CENTRAL PROCESS | UNITE CENTRALE DE TR | | |
| NC13-67-560 | 1 (AT) | ING | AITEMENT | | |
| | | | (B.V.AUTOM) | | |
| 67-591 | | BRACKET | SUPPORT | | |
| NC72-67-5D8 | 1 (W/KEY LESS ENTRY) | | | | |
| 67-6D1 | | RESISTOR,INTERLOCK | RHEOSTAT,ENCLICHEME | | |
| M020-67-6D1 | 1 (AT) | | NT | | |
| | | | (B.V.AUTOM) | | |
| 67-7403 | | RELAY,N.O. | RELAIS,N.O. | | |

0823 NB35**-202173
 0907 NB35**-204016
 1820 NB35**-221227

2-K14

6630A BODY RELAYS & UNIT

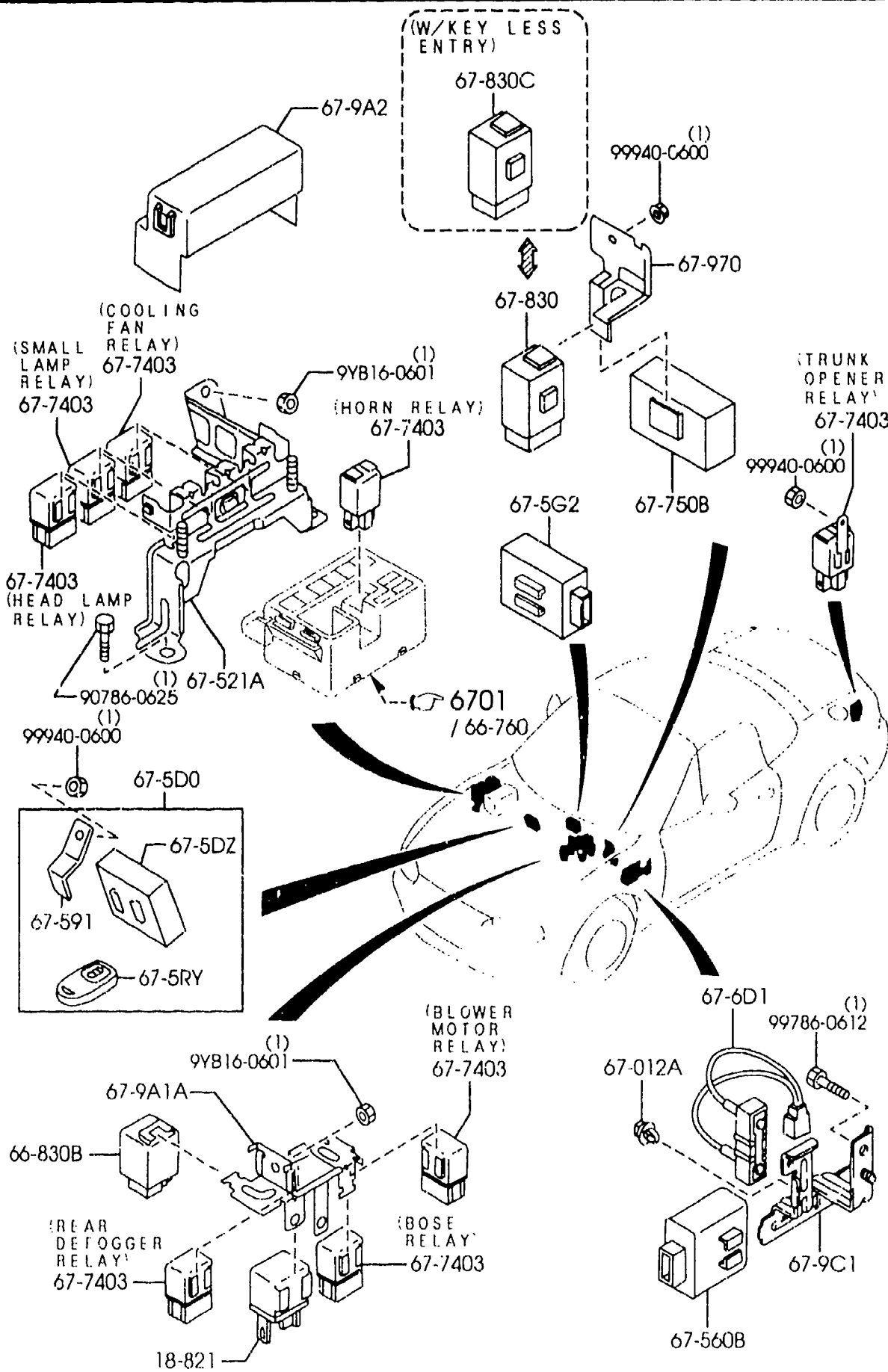
6630A -2 BODY RELAYS & UNIT



| PART NO. | QTY | MODEL/RESTRICTION | MODEL/RESTRICTION | MODEL/RESTRICTION | FROM-TO |
|-----------------------|-----|---|--|-------------------|---------|
| CONT'D B110-67-730 | 1 | (TRUNK OPENER RELAY) (W/KEY LESS ENTRY) (W/O A. LOCK BRAKE) >(NOR. SUSP) (W/O A. LOCK BRAKE) >(HARD SUSP) | ((S/SYST ANTIBLOC))> SUSP.NRML) ((S/SYST ANTIBLOC))> SUSP.FERM) | | |
| B110-67-730 | 2 | (TRUNK OPENER RELAY) (A.B.S.RELAY) (W/KEY LESS ENTRY) (W/O A. LOCK BRAKE) >(SPORT SUSP) (W/A. LOCK BRAKE) | ((S/SYST ANTIBLOC))> SUSP. SPORTIVE) (SYST ANTIBLOC) | | |
| B150-67-730 | 6 | (REAR DEFOGGER RELAY) (BLOWER MOTOR RELAY) (BOSE RELAY) (COOLING F/N RELAY) (HEAD LAMP RELAY) (SMALL LAMP RELAY) | | | |
| LA10-67-740 | 10A | (HORN RELAY) | 10A | | |
| 67-750B | | UNIT,CONT.-RUNNING L AMP | GROUPF,CONTROLE-LA. COUR. | | |
| NC72-67-750 | 1 | (W/RUNNING LAMP) | | | |
| 67-830 | | UNIT,DOOR LOCK & TIM ER | UNITE,VERROU PORTE & MIN. | | |
| BG1P-67-830 | 1 | (W/O KEY LESS ENTRY+ W/POWER DOOR LOCK) | | | |
| 67-830C | | RELAY | RELAIS | | |
| BJ0G-67-830 | 1 | (W/KEY LESS ENTRY+W/ POWER DOOR LOCK) | | | |
| 67-9A1A | | BRACKET,RELAY | SUPPORT,RELAIS | | |
| H066-67-9AY | 1 | | | | |
| 67-9A2 | | COVER,RELAY | COUVERCLE,RELAIS | | |
| NC10-67-9A2 | 1 | | | | |
| 67-9C1 | | BRACKET,RELAY | SUPPOT,RELAIS | | |
| NC13-67-9C1 | 1 | (AT) | (B.V.AUTOM) | | |
| 67-970 | | BRACKET,RELAY | SUPPORT DE RELAIS | | |
| NC73-67-9D0 | 1 | (W/O KEY LESS ENTRY+ W/O RUNNING LAMP+W/P OWER DOOR LOCK) | | | |
| NC74-67-9D0A | 1 | (W/KEY LESS ENTRY+W/ | | | |

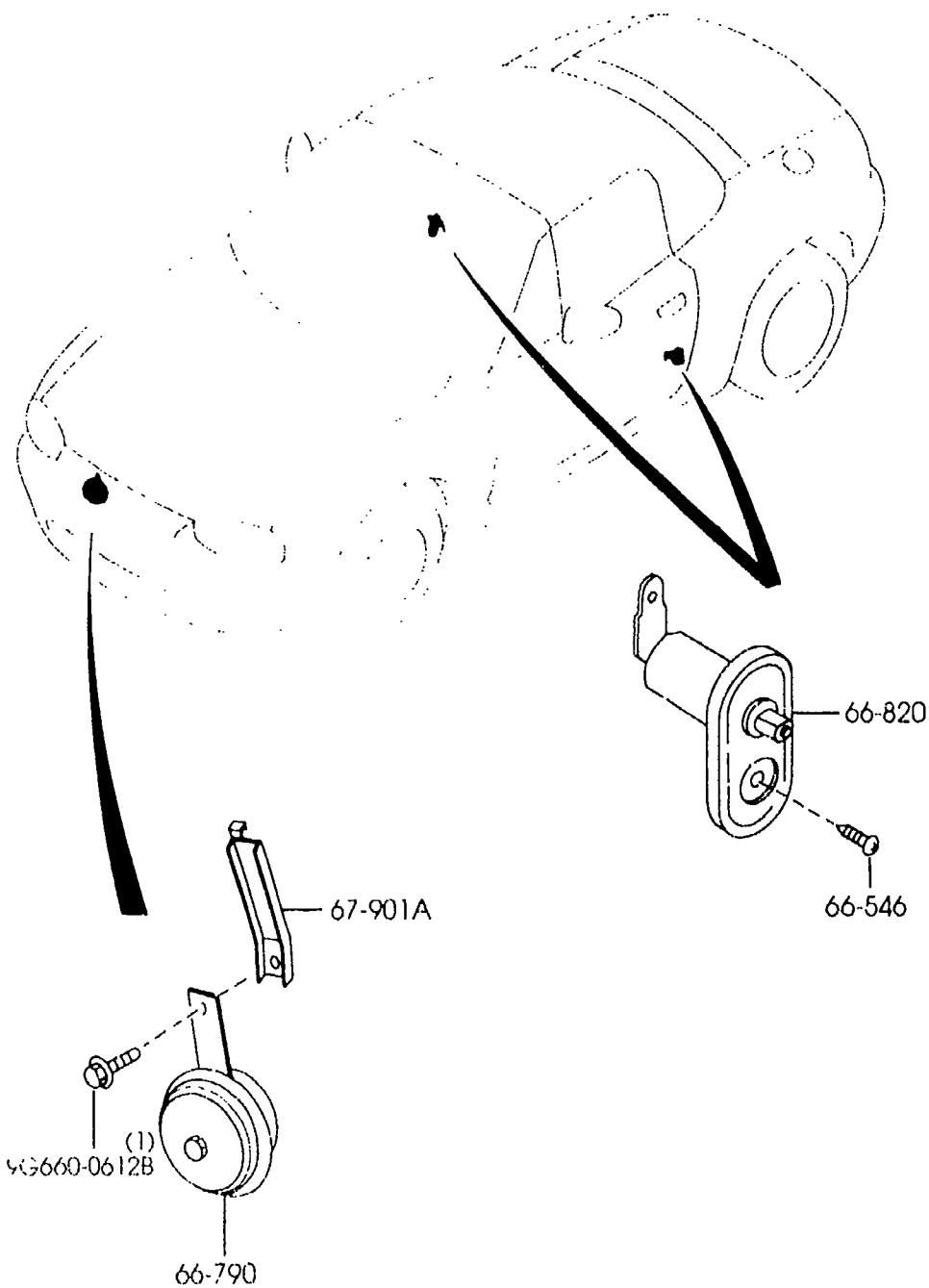
6630A BODY RELAYS & UNIT

6630A -3 * BODY RELAYS & UNIT



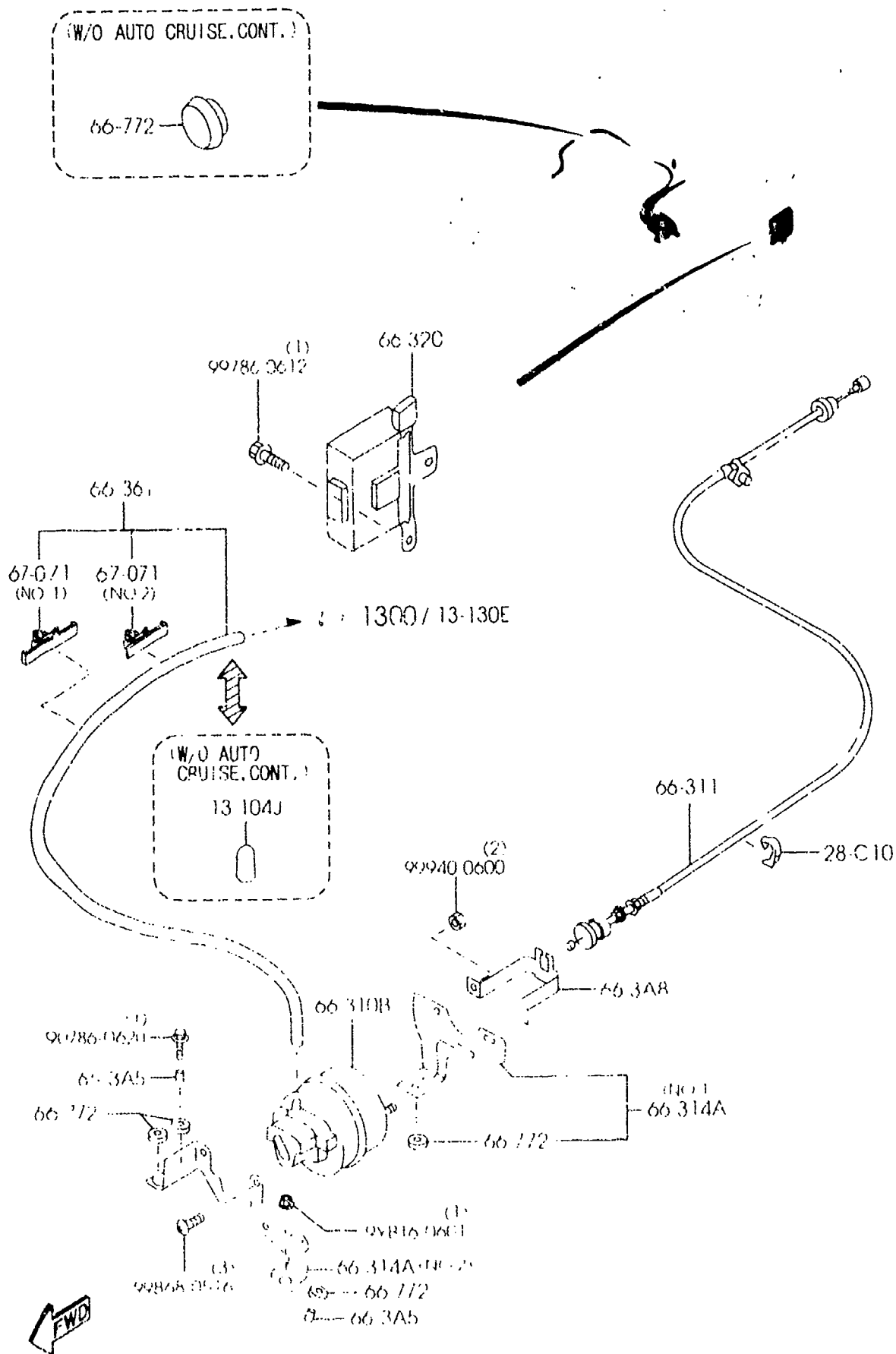
| PART NO. | QTY | MODEL/RESTRICTION | MODEL/RESTRICTION | MODEL/RESTRICTION | FROM-TO |
|--------------|-----|---|-------------------|-------------------|---------|
| CONT'D | | | | | |
| NC75-67-9D0 | 1 | (W/O KEY LESS ENTRY+W/RUNNING LAMP+W/POWER DOOR LOCK) | | | |
| NC76-67-9D0A | 1 | (W/KEY LESS ENTRY+W/RUNNING LAMP+W/POWER DOOR LOCK) | | | |
| NC77-67-9D0 | 1 | (W/O KEY LESS ENTRY+W/RUNNING LAMP+W/O POWER DOOR LOCK) | | | |

2-M14



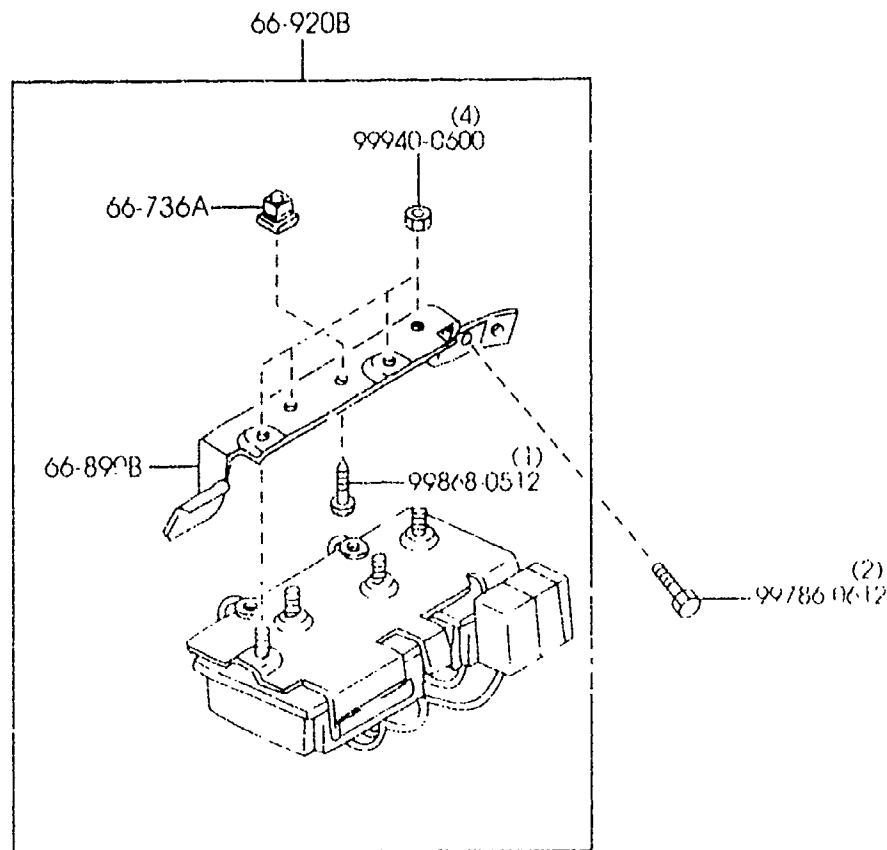
| PART NO. | QTY | MODEL/RESTRICTION | MODEL/RESTRICTION | MODEL/RESTRICTION | FROM-TO |
|------------------------|-----|--------------------|---------------------------|-------------------|---------|
| 66-546 LA01-66-546 | 2 | SCREW, DOOR SWITCH | UIS, COMMUT. COMM. PORTE. | | |
| 66-790 BG3F-66-790 | 1 | HORN, LOW TONE | KLAXON, GRAVE | | |
| 66-820 S09A-66-540 | 2 | SWITCH, DOOR | RUPTEUR, PORTE | | |
| 67-901A NC10-66-7B1 | 1 | BRACKET, HORN | SUPPORT, AVERTISSEUR | | |



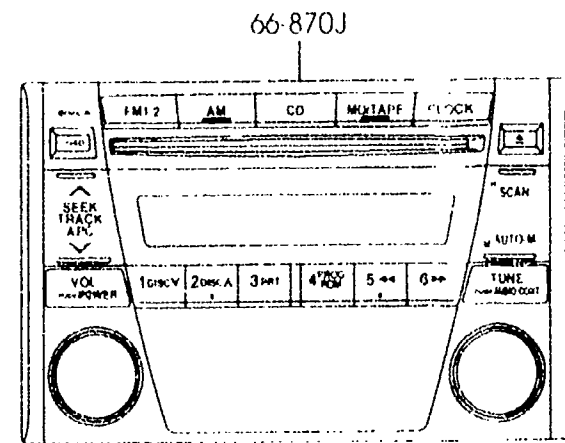
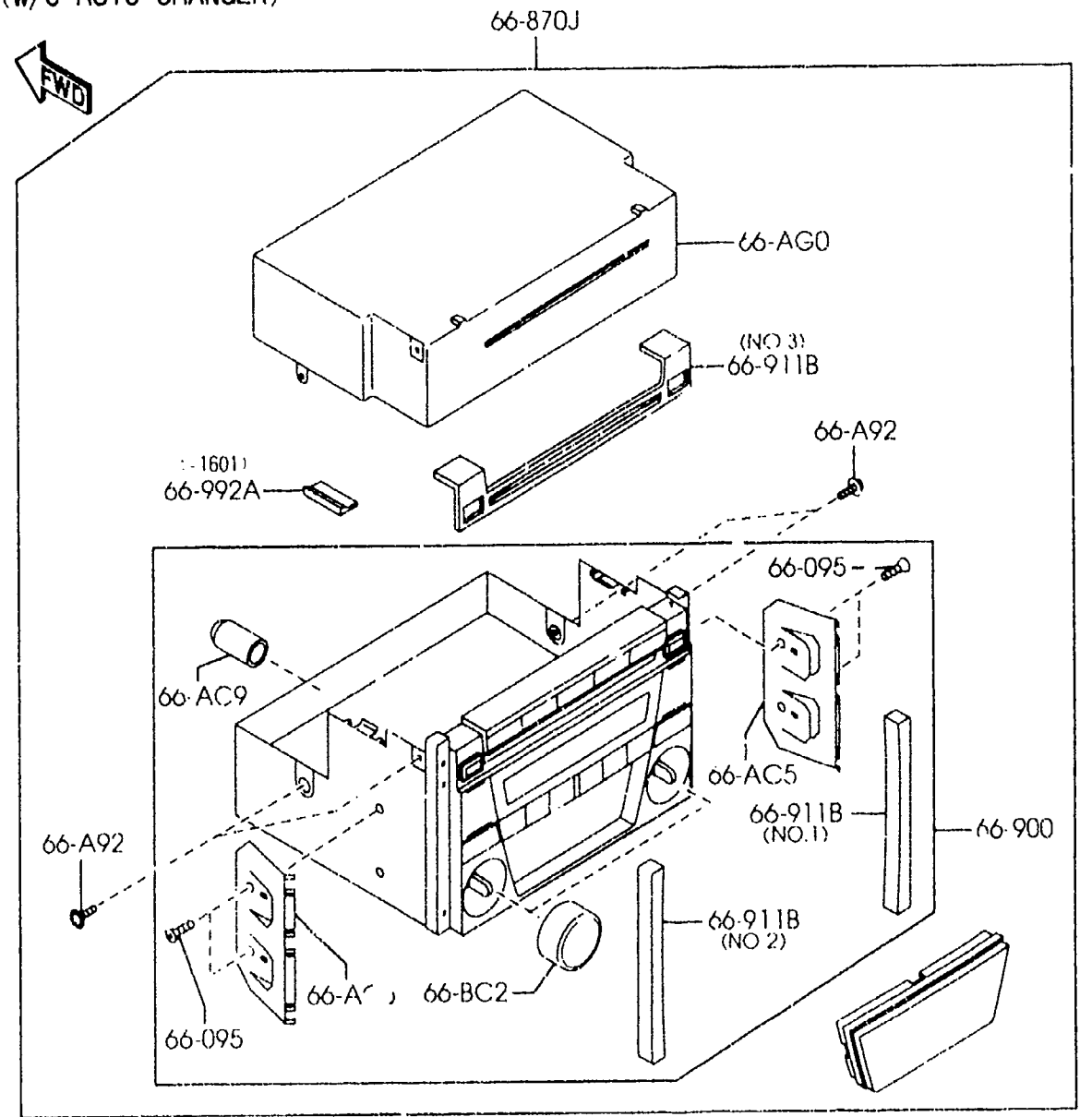


| PART NO. | QTY | MODEL/RESTRICTION | MODEL/RESTRICTION | MODEL/RESTRICTION | FROM-TO |
|-------------|-----|---|-------------------|-------------------|---------|
| 67-071 | | CLIP | CLIP | | |
| B111-67-C99 | 1 | (ILLUST. NO.1) (W/AUTO CRUISE CONT.) | | | |
| B211-67-C99 | 1 | (ILLUST. NO.2) (W/AUTO CRUISE CONT.) | | | |

((HARD SUSP) > (W/A. LOCK BRAKE))
 (SPORT SUSP)

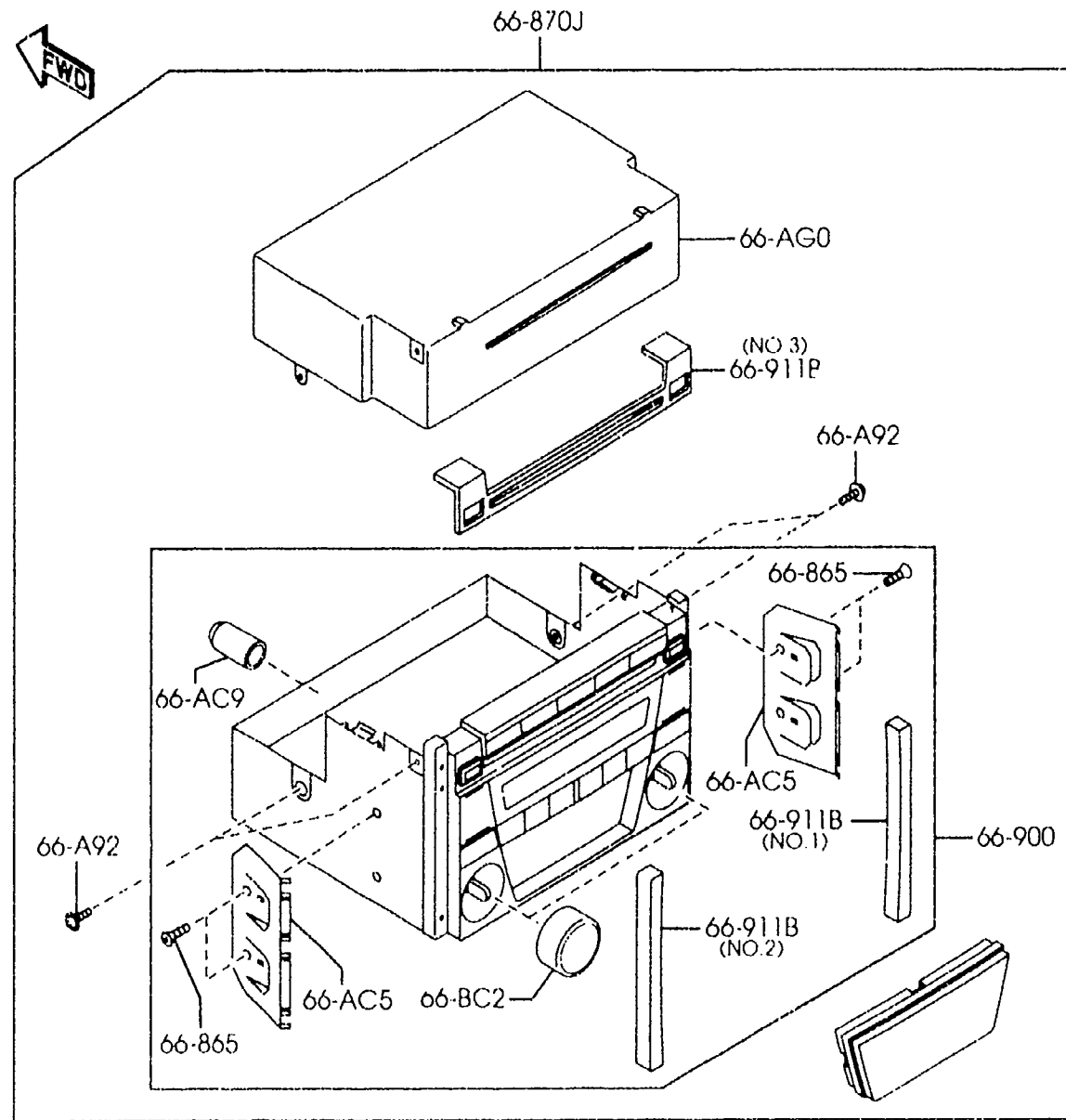
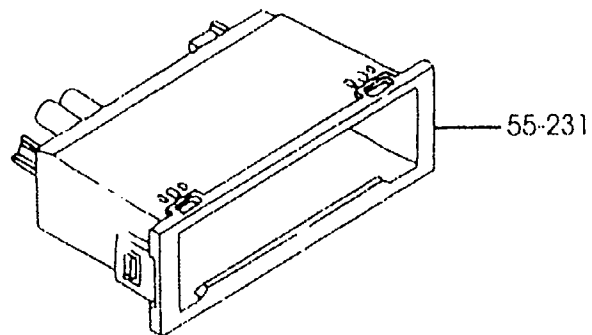
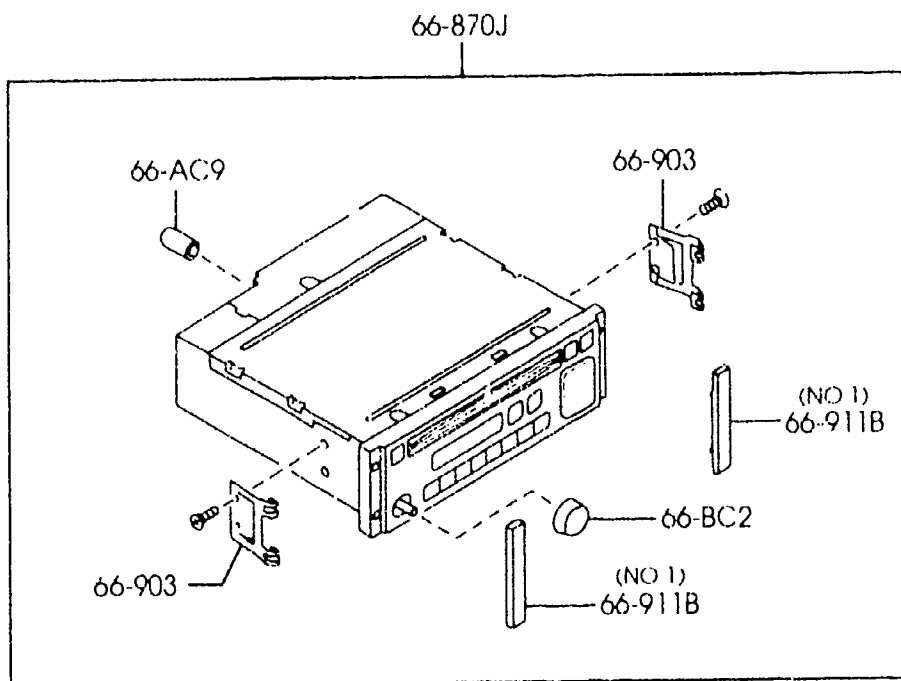


((HARD SUSP) > (W/O A. LOCK BRAKE))
 (NOR. SUSP)
 (W/O AUTO CHANGER)

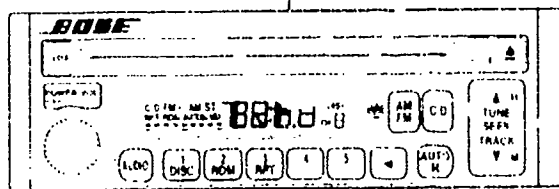


((HARD SUSP) > (W/A. LOCK BRAKE))
 (SPORT SUSP)
 (-1701)

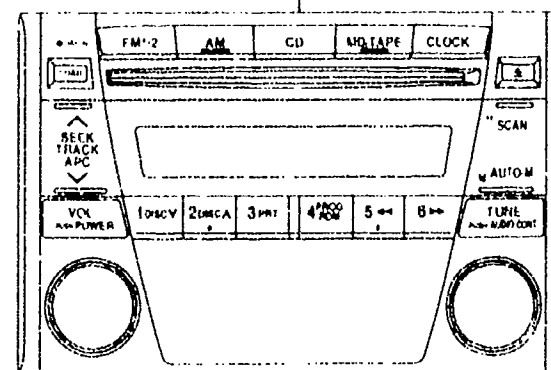
((HARD SUSP) > (W/A. LOCK BRAKE))
 (SPORT SUSP)
 (10/200KHZ, W/POWER AMP, W/O CD AUTO CHANGER)
 (1701-)



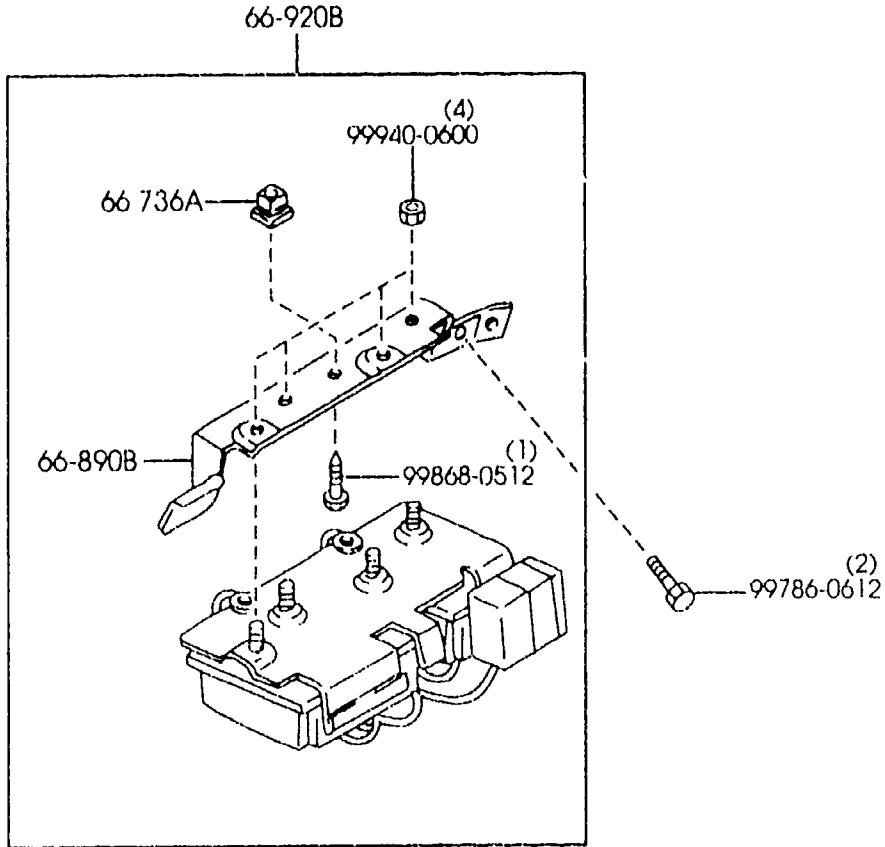
66 870J



66-870J



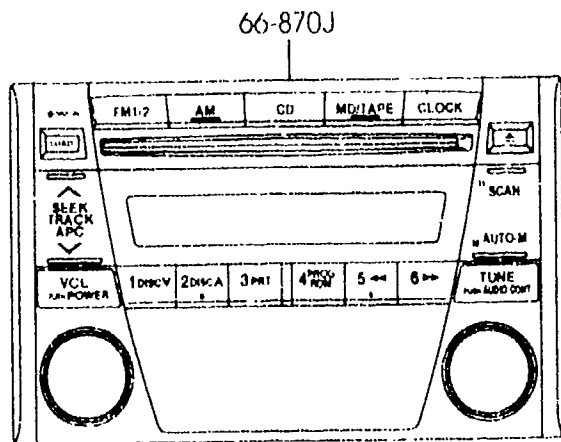
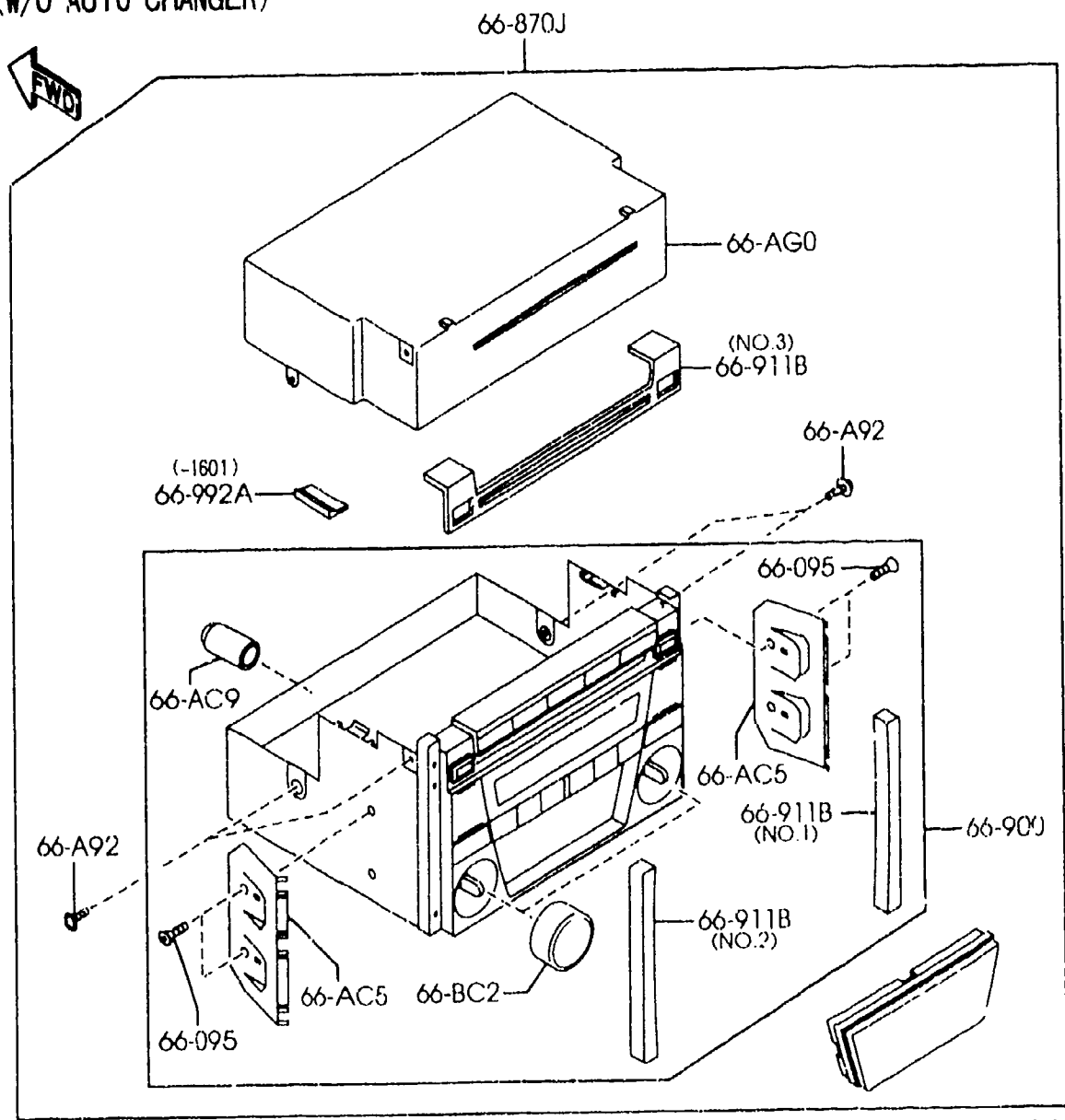
((HARD SUSP)>(W/A. LOCK BRAKE))
 (SPORT SUSP)



| PART NO. | QTY | MODEL/RESTRICTION | MODEL/RESTRICTION | MODEL/RESTRICTION | FROM-TO |
|---------------------------------|-----|---|--|-------------------|-----------|
| 55-231 | | ORNAMENT, STEREO | SIGLE, STEREO | | |
| B02A-66-9M0A | 1 | ((HARD SUSP)>(W/A. L OCK BRAKE)) (SPORT SUSP) | ((SUSP. FERM)>(SYST A NTIBLOC)) (SUSP. SPORTIVE) | | -1701 |
| 66-AC5 | | SPRING, AUDIO | RESSORT, AUDIO | | |
| TC86-66-AC5 | 2 | ((HARD SUSP)>(W/O A. LOCK BRAKE)) (NOR. SUSP) | ((SUSP. FERM)>(S/SYST ANTIBLOC)) (SUSP. NRML) | | |
| B30E-66-AC5 | 2 | ((HARD SUSP)>(W/A. L OCK BRAKE)) (SPORT SUSP) | ((SUSP. FERM)>(SYST A NTIBLOC)) (SUSP. SPORTIVE) | | 1701- |
| 66-AC9 | | RUBBER, REAR-ET/ED CO MBI. | CAOUTCHOUC. ARRIERE | | |
| TC86-66-AC9 | 1 | ((HARD SUSP)>(W/O A. LOCK BRAKE)) (NOR. SUSP) | ((SUSP. FERM)>(S/SYST ANTIBLOC)) (SUSP. NRML) | | |
| S22K-66-AC9 | 1 | MATSUSHITA MAKE ((HARD SUSP)>(W/A. L OCK BRAKE)) (SPORT SUSP) | MATSUSHITA MAKE ((SUSP. FERM)>(SYST A NTIBLOC)) (SUSP. SPORTIVE) | | -1701 |
| B30E-66-AC9 | 1 | ((HARD SUSP)>(W/A. L OCK BRAKE)) (SPORT SUSP) | ((SUSP. FERM)>(SYST A NTIBLOC)) (SUSP. SPORTIVE) | | 1701- |
| 66-AG0 | | PLAYER, COMPACT DISC | JOUEUR, DISQUE COMPAC T. | | |
| B30K-66-AG0 A (B30K-66-AG0A) | 1 | (10/200KHZ, W/POWER A MP, W/O CD A UTO CHAN GER) | | | 1701-1709 |
| B30K-66-AG0A | 1 | (10/200KHZ, W/POWER A MP, W/O CD A UTO CHAN GER) | | | 1709- |
| 66-A92 | | SCREW, ANTENNA | VIS, ANTENNE | | |
| T060-66-A92 | 4 | ((HARD SUSP)>(W/O A. LOCK BRAKE)) (NOR. SUSP) | ((SUSP. FERM)>(S/SYST ANTIBLOC)) (SUSP. NRML) | | |
| T060-66-A92 | 4 | ((HARD SUSP)>(W/A. L OCK BRAKE)) (SPORT SUSP) | ((SUSP. FERM)>(SYST A NTIBLOC)) (SUSP. SPORTIVE) | | 1701- |
| 66-BC2 | | KNOB, VOLUME-TUNER & DECK | BOUTON, VOLUME-D. ACC & RG | | |
| N068-66-BC1 | 2 | ((HARD SUSP)>(W/O A. LOCK BRAKE)) (NOR. SUSP) | ((SUSP. FERM)>(S/SYST ANTIBLOC)) (SUSP. NRML) | | |
| RG1S-66-BC1 | 1 | MATSUSHITA MAKE ((HARD SUSP)>(W/A. L OCK BRAKE)) (SPORT SUSP) | MATSUSHITA MAKE ((SUSP. FERM)>(SYST A NTIBLOC)) (SUSP. SPORTIVE) | | -1701 |
| N071-66-BC1 | 2 | ((HARD SUSP)>(W/A. L OCK BRAKE)) (SPORT SUSP) | ((SUSP. FERM)>(SYST A NTIBLOC)) (SUSP. SPORTIVE) | | 1701- |

1701 NB35**-219555
 1709 NB35**-219852

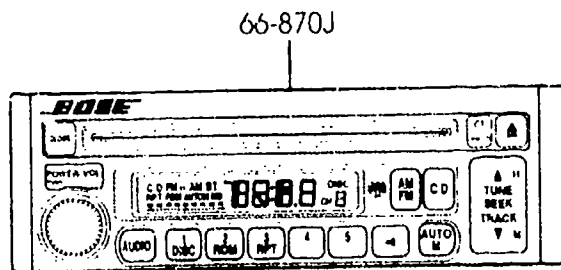
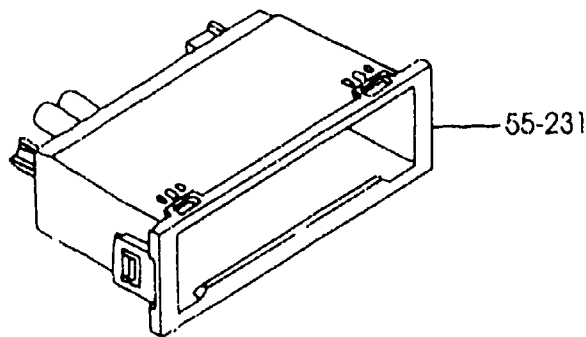
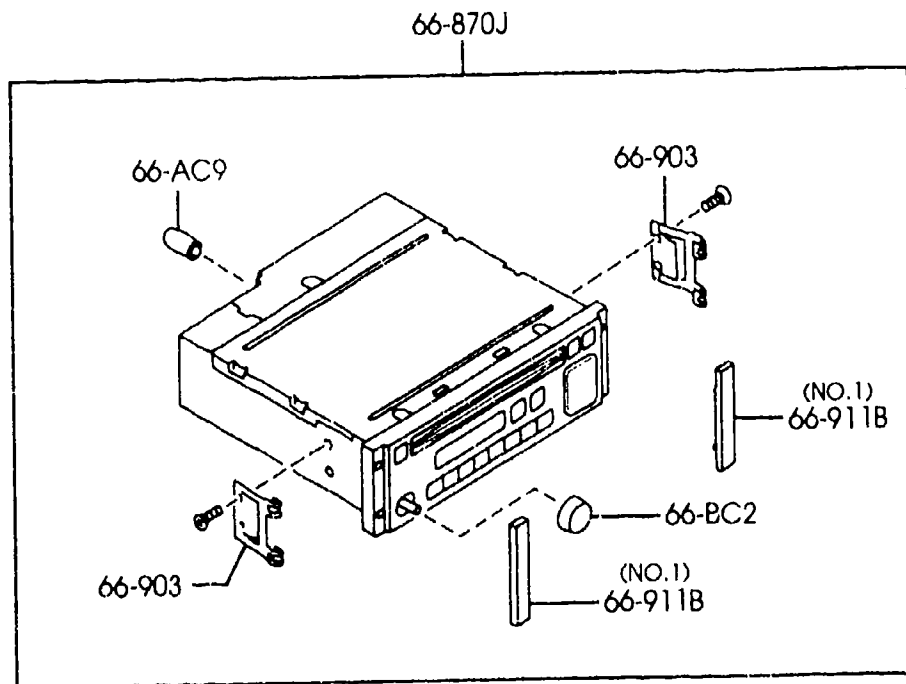
((HARD SUSP)>(W/O A. LOCK BRAKE))
 (NOR. SUSP)
 (W/O AUTO CHANGER)



| PART NO. | QTY | MODEL/RESTRICTION | MODEL/RESTRICTION | MODEL/RESTRICTION | FROM-TO |
|-------------|-----|---|--|--------------------------|---------|
| CONT'D | | | | | |
| | | OCK BRAKE)) (SPORT SUSP) | NTIBLOC)) (SUSP. SPORTIVE) | | |
| | | 66-DG0 | CHANGER, COMPACT DISC | CHANGEUR, DISQUE COMPACT | |
| TC87-66-EG0 | 1 | (10/200KHZ, W/POWER AMP, W/CD AUTO CHANGER) ((HARD SUSP)>(W/A. LOCK BRAKE)) (SPORT SUSP) | ((SUSP.FERM)>(SYST ANTIBLOC)) (SUSP. SPORTIVE) | | |
| | | 66-095 | SCREW | VIS | |
| TC86-66-B31 | 4 | ((HARD SUSP)>(W/O A. LOCK BRAKE)) (NOR. SUSP) | ((SUSP.FERM)>(S/SYST ANTIBLOC)) (SUSP.NRML) | | |
| | | 66-736A | GROMMET, SCREW | PROTECTEUR, VIS | |
| NC10-66-AD5 | 1 | ((HARD SUSP)>(W/A. LOCK BRAKE)) (SPORT SUSP) | ((SUSP.FERM)>(SYST ANTIBLOC)) (SUSP. SPORTIVE) | | |
| | | 66-865 | SCREW | VIS | |
| T060-66-B31 | 4 | ((HARD SUSP)>(W/A. LOCK BRAKE)) (SPORT SUSP) | ((SUSP.FERM)>(SYST ANTIBLOC)) (SUSP. SPORTIVE) | | 1701- |
| | | 66-870J | AUDIO SET | AUDIO-KIT | |
| NC77-66-9RX | 1 | (10/200KHZ, W/POWER AMP, W/CD AUTO CHANGER) ((HARD SUSP)>(W/A. LOCK BRAKE)) (SPORT SUSP) | ((SUSP.FERM)>(SYST ANTIBLOC)) (SUSP. SPORTIVE) | | |
| NC72-66-9R0 | 1 | ((HARD SUSP)>(W/O A. LOCK BRAKE)) (NOR. SUSP) | ((SUSP.FERM)>(S/SYST ANTIBLOC)) (SUSP.NRML) | | |
| NC75-66-9R0 | 1 | ((HARD SUSP)>(W/A. LOCK BRAKE)) (SPORT SUSP) | ((SUSP.FERM)>(SYST ANTIBLOC)) (SUSP. SPORTIVE) | | -1701 |
| ND22-66-9R0 | 1 | (10/200KHZ, W/POWER AMP, W/O CD AUTO CHANGER) ((HARD SUSP)>(W/A. LOCK BRAKE)) (SPORT SUSP) | ((SUSP.FERM)>(SYST ANTIBLOC)) (SUSP. SPORTIVE) | | 1701- |
| | | 66-890B | BRACKET | SUPPORT | |
| NC10-66-9B1 | 1 | ((HARD SUSP)>(W/A. LOCK BRAKE)) (SPORT SUSP) | ((SUSP.FERM)>(SYST ANTIBLOC)) (SUSP. SPORTIVE) | | |

1701 NB35**219555

((HARD SUSP)>(W/A. LOCK BRAKE))
 ((SPORT SUSP)
 (-1701)

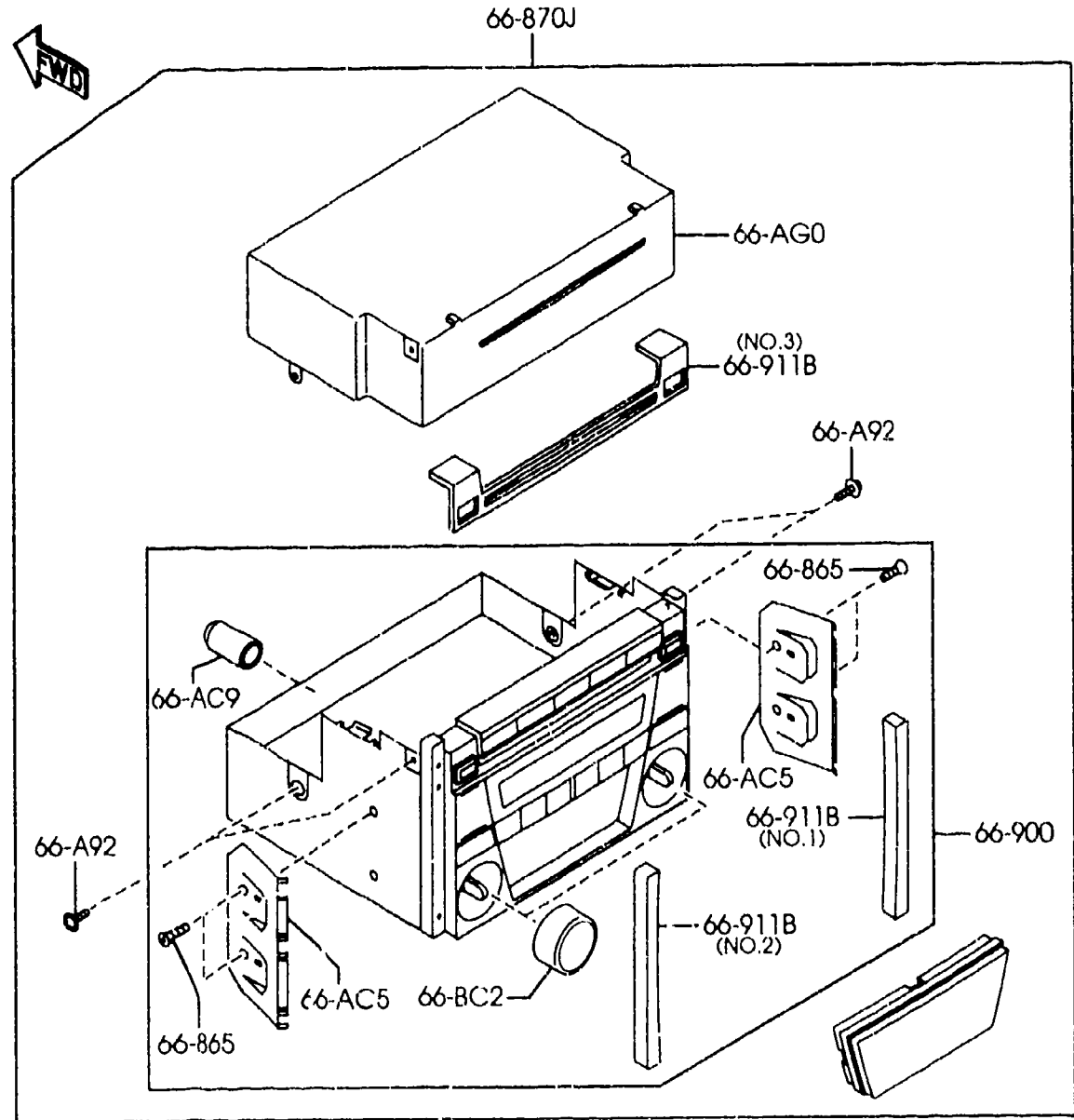


| PART NO. | QTY | MODEL/RESTRICTION | MODEL/RESTRICTION | MODEL/RESTRICTION | FROM-TO |
|-------------|-----|---|---|--|---------|
| 66-900 | | | | | |
| NC72-66-AS0 | 1 | ((HARD SUSP)>(W/O A. LOCK BRAKE)) (NOR. SUSP) | TUNER | TUNER | |
| ND22-66-AS0 | 1 | ((HARD SUSP)>(W/A. L OCK BRAKE)) (SPORT SUSP) | ((SUSP.FERM)>(SYST A NTIBLOC)) (SUSP. SPORTIVE) | | 1701- |
| 66-903 | | | | | |
| FD04-66-AW1 | 2 | PANASONIC ((HARD SUSP)>(W/A. L OCK BRAKE)) (SPORT SUSP) | BRACKET, TUNER | ATTACHE, TUNER PANASONIC ((SUSP.FERM)>(SYST A NTIBLOC)) (SUSP. SPORTIVE) | -1701 |
| 66-911B | | | | | |
| TC86-66-BC4 | 1 | (ILLUST. NO.1) ((HARD SUSP)>(W/O A. LOCK BRAKE)) (NOR. SUSP) | COVER, HOLE | BOUCHON ((SUSP.FERM)>(S/SYST ANTIBLOC)) (SUSP.NRML) | |
| TC87-66-BC4 | 1 | (ILLUST. NO.2) ((HARD SUSP)>(W/O A. LOCK BRAKE)) (NOR. SUSP) | | ((SUSP.FERM)>(S/SYST ANTIBLOC)) (SUSP.NRML) | |
| TC87-66-BG4 | 1 | (ILLUST. NO.3) (10/200KHZ, W/POWER A MP, W/CD AUT O CHANGE R) ((HARD SUSP)>(W/A. L OCK BRAKE)) (SPORT SUSP) | | ((SUSP.FERM)>(SYST A NTIBLOC)) (SUSP. SPORTIVE) | |
| T060-66-BG4 | 1 | (ILLUST. NO.3) ((HARD SUSP)>(W/O A. LOCK BRAKE)) (NOR. SUSP) | | ((SUSP.FERM)>(S/SYST ANTIBLOC)) (SUSP.NRML) | |
| NB40-66-BC4 | 2 | PANASONIC (ILLUST. NO.1) ((HARD SUSP)>(W/A. L OCK BRAKE)) (SPORT SUSP) | | PANASONIC ((SUSP.FERM)>(SYST A NTIBLOC)) (SUSP. SPORTIVE) | -1701 |
| E116-66-BC4 | 1 | (ILLUST. NO.1) ((HARD SUSP)>(W/A. L OCK BRAKE)) (SPORT SUSP) | | ((SUSP.FERM)>(SYST A NTIBLOC)) (SUSP. SPORTIVE) | 1701- |
| E117-66-BC4 | 1 | (ILLUST. NO.2) ((HARD SUSP)>(W/A. L OCK BRAKE)) (SPORT SUSP) | | ((SUSP.FERM)>(SYST A NTIBLOC)) (SUSP. SPORTIVE) | 1701- |
| T060-66-BG4 | 1 | (ILLUST. NO.3) (10/200KHZ, W/POWER A MP, W/O CD A UTO CHAN GER) ((HARD SUSP)>(W/A. L OCK BRAKE)) (SPORT SUSP) | | ((SUSP.FERM)>(SYST A NTIBLOC)) (SUSP. SPORTIVE) | 1701- |

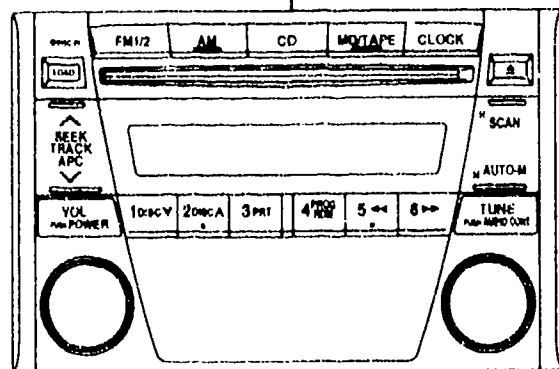
1701 NB35**-219555

2-J15

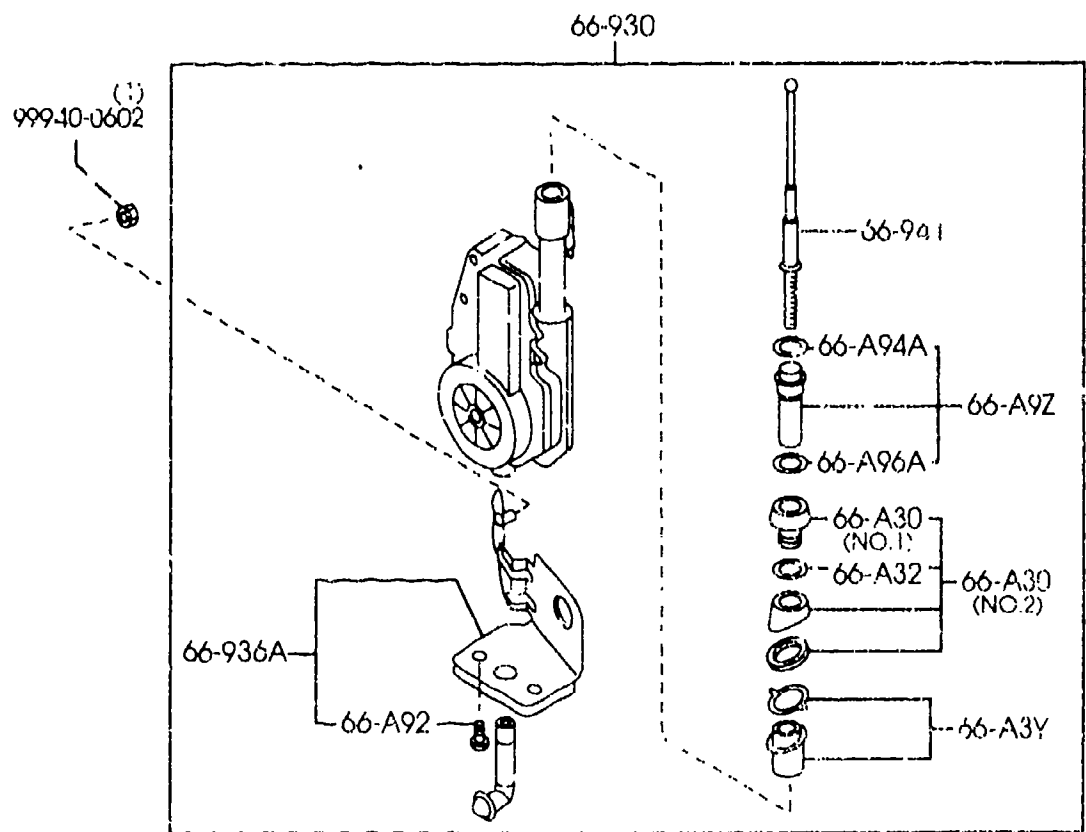
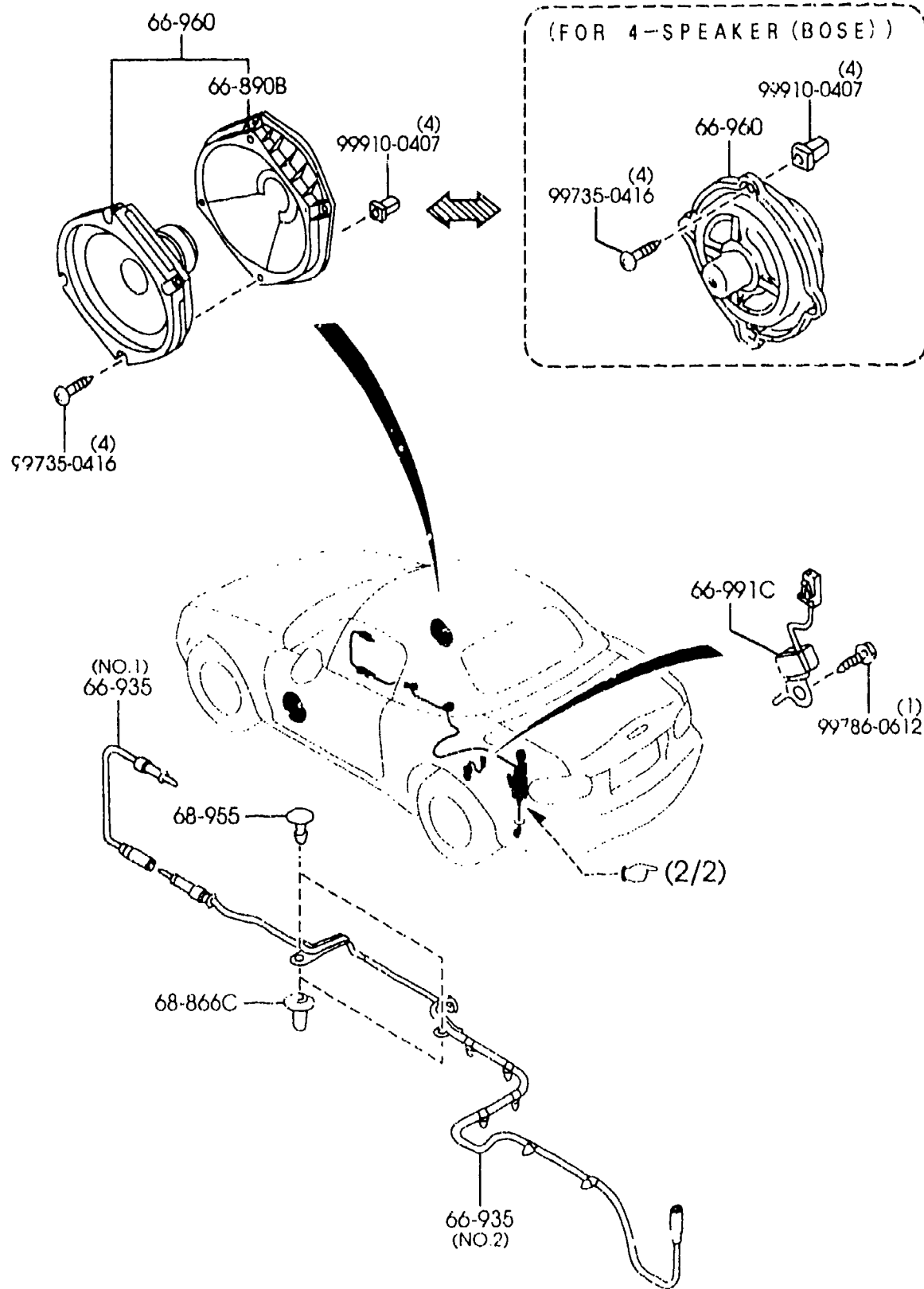
((HARD SUSP)>(W/A.LOCK BRAKE))
 (SPORT SUSP)
 (10/200KHZ,W/POWER AMP,W/O CD AUTO CHANGER)
 (1701-)

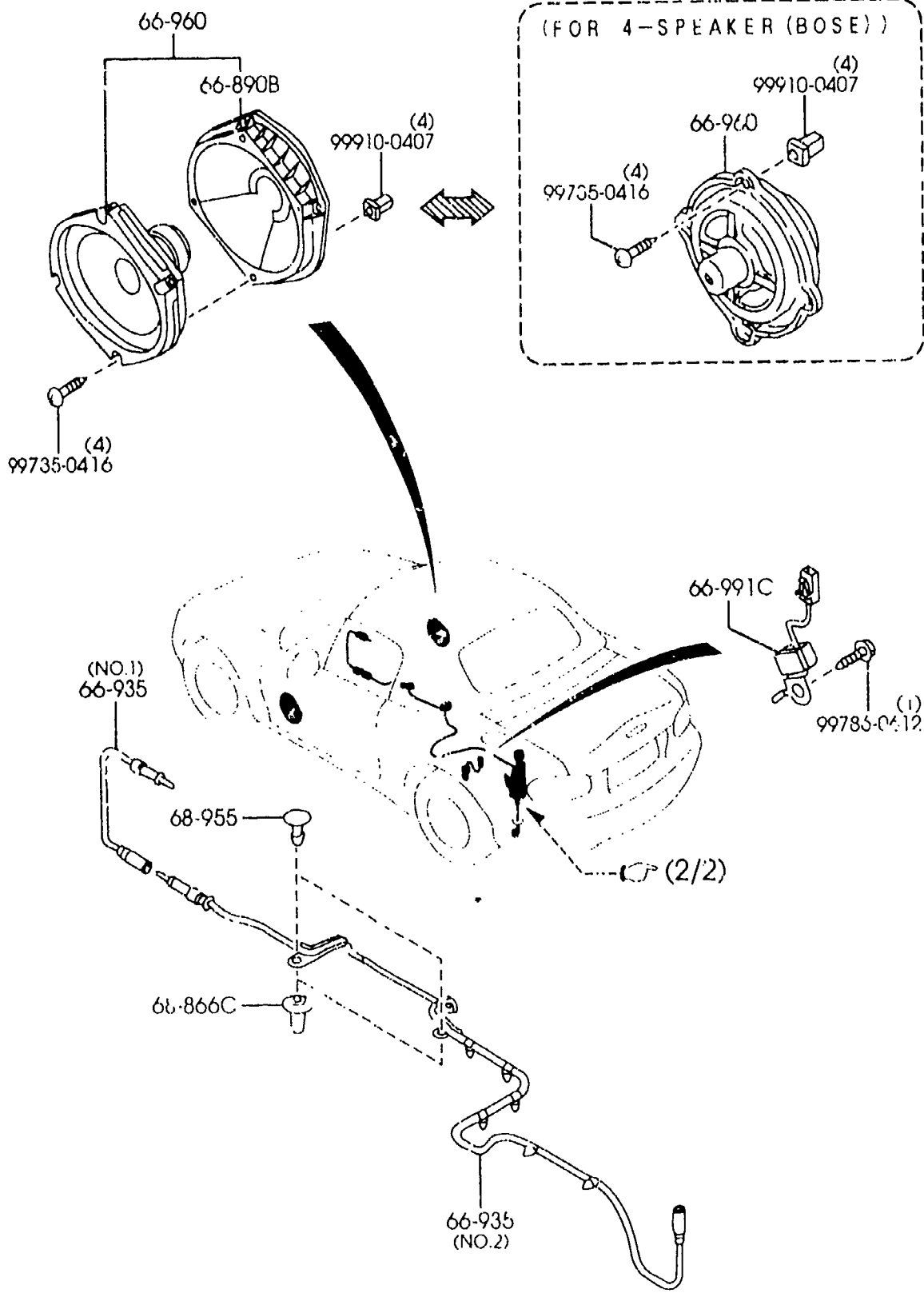


66-870J



| PART NO. | QTY | MODEL./RESTRICTION | MODEL./RESTRICTION | MODEL./RESTRICTION | FROM-TO |
|-------------------------|-----|--|---|--------------------|---------|
| 66-920B NC10-66-92ZB | 1 | AMP,POWER-AUDIO ((HARD SUSP)>(W/A.L OCK BRAKE)) (SPORT SUSP) | AMPLITUDE,AUDIO FORC E ((SUSP.FERM)>(SYST A NTIBLOC)) (SUSP. SPORTIVE) | | |
| 66-992A B30E-66-BR4 | 1 | COVER,HOLE (NOR. SUSP) ((HARD SUSP)>(W/O A. LOCK BRAKE)) | BOUCHON (SUSP.NRML.) ((SUSP.FERM)>(S/SYST ANTIBLOC)) | | -1601 |
| 1601 NB35**-219011 | | | | | |

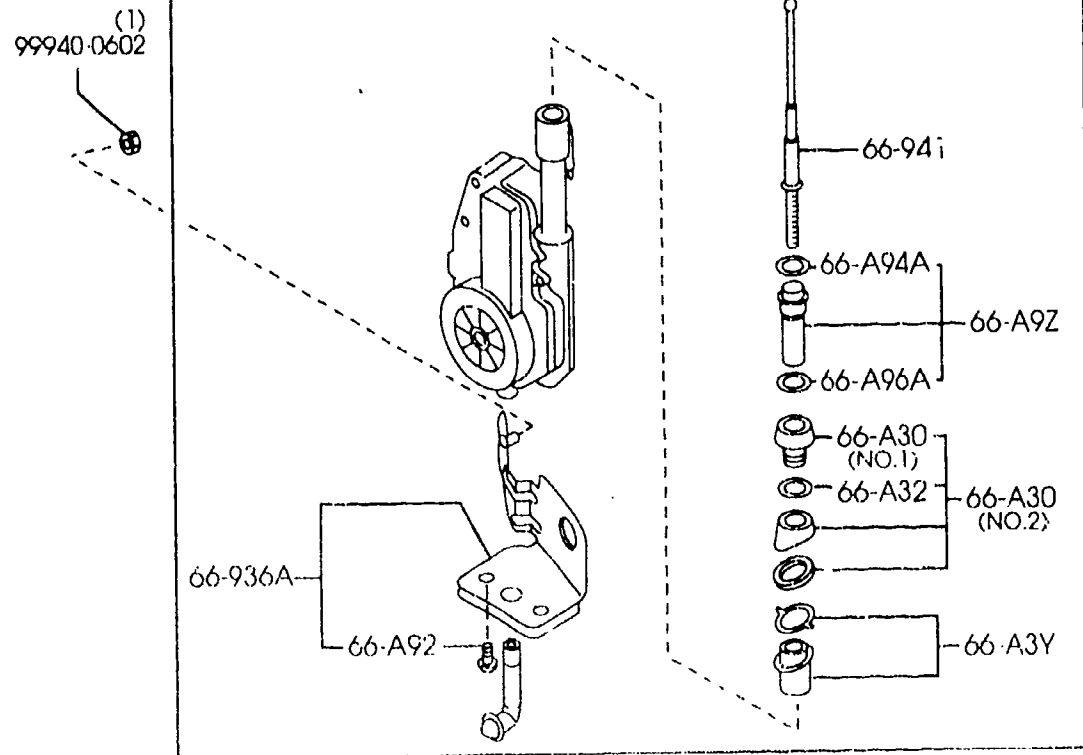




| PART NO. | QTY | MODEL/RESTRICTION | MODEL/RESTRICTION | MODEL/RESTRICTION | FROM-TO |
|--|---|--------------------------------|--------------------------------|-------------------|---------|
| 66-A3Y NC10-66-A3Z | 1 | PLATE, EARTH-MOTOR AN TENNA | PLAQUE, MISE TERRE-MO T. A. | | |
| 66-A30 M001-66-A31 NC10-66-A9Y | 1 (ILLUST. NO.1) 1 (ILLUST. NO.2) | NUT, MOUNTING-ANTENNA | ECKOU, MONTAGE-ANTENN E | | |
| 66-A32 FB01-66-A32 | 1 | RING, 'O'-MOUNTING AN TENNA | JOINT TORIQUE, MONT.- ANTEN | | |
| 66-A9Z HG30-66-A9Z | 1 | INSULATOR, ROD-ANTENN A | ISOLANT, TIGE-ANTENNE | | |
| 66-A92 HG30-66-A92 | 2 | SCREW, ANTENNA | VIS, ANTENNE | | |
| 66-A94 HE02-66-A94 | 1 | RING, 'O'-ANTENNA | JOINT TORIQUE-ANTENN E | | |
| 66-A96A HE02-66-A96 | 1 | RING, 'O'-ANTENNA | JOINT TORIQUE-ANTENN E | | |
| 66-890B NC25-66-9B1A | 2 (FOR 2-SPEAKER) (FOR 4-SPEAKER(STD.)) | BRACKET | SUPPORT | | |
| 66-930 NC10-66-930B | 1 | ANTENNA, RADIO | ANTENNE | | |
| 66-935 NC22-66-940E N066-66-940A | 1 (ILLUST. NO.2) 1 (ILLUST. NO.1) (FOR 2-SPEAKER) (FOR 4-SPEAKER(STD.)) | FEDER-ANTENNA | CONDUCTEUR ALIM., ANT ENNE | | |
| NC11-66-940A | 1 (ILLUST. NO.1) (FOR 4-SPEAKER(BOSE)) | | | | 1701 |
| NC11-66-940B | 1 (ILLUST. NO.1) (FOR 4-SPEAKER(BOSE)) | | | | 1701- |

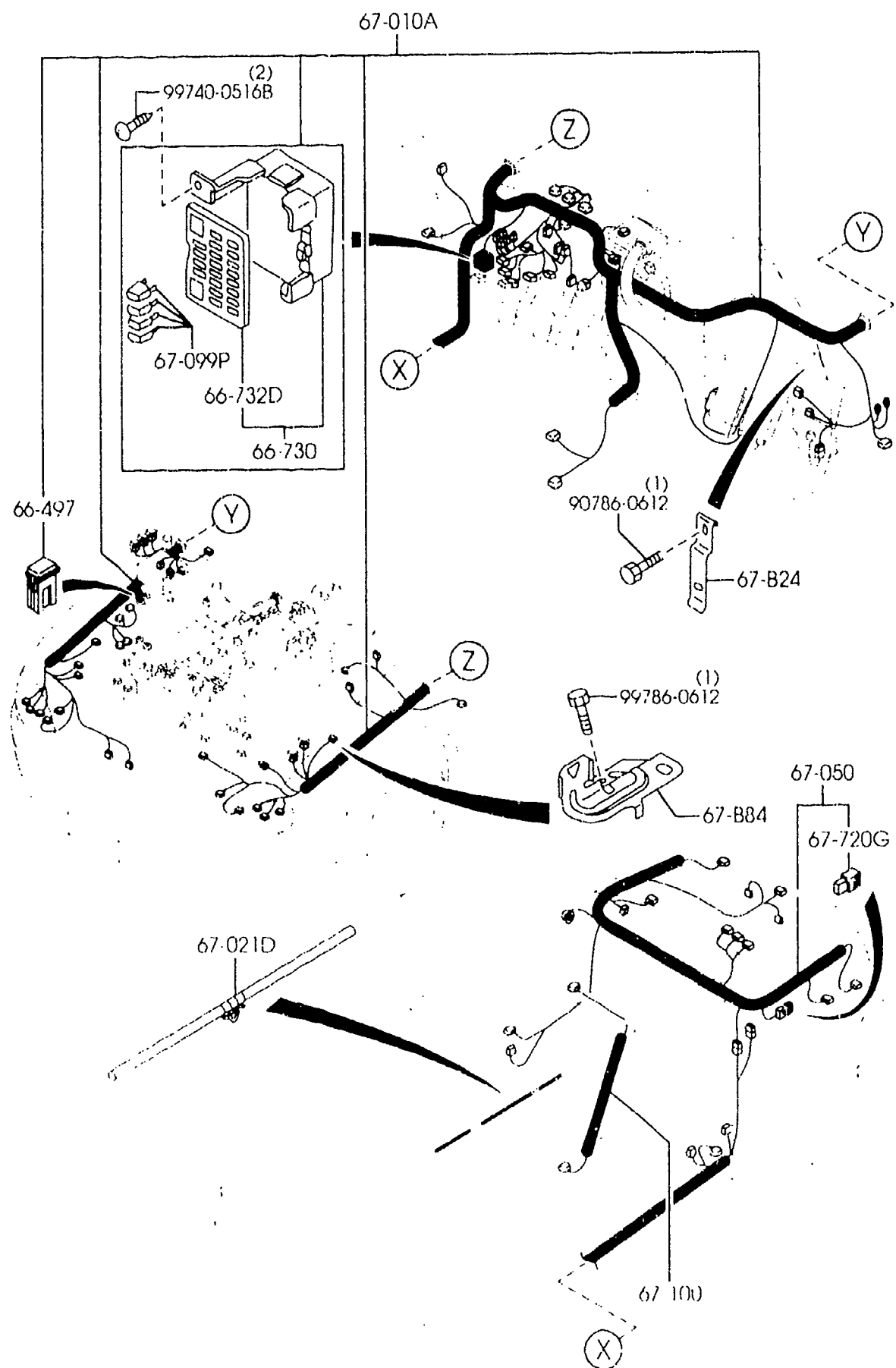
1701 NB35** -219555





| PART NO. | QTY | MODEL/RESTRICTION | MODEL/RESTRICTION | MODEL/RESTRICTION | FROM-TO |
|--------------|--|---------------------------|----------------------------|-------------------|---------|
| 66-936A | | BRKT, MOTOR-ANTENNA | SUPPORT | | |
| NC10-66-A9XA | 1 | | | | |
| 66-941 | | POLE, ANTENNA | POLEAU, ANTENNE | | |
| B05A-66-A30 | 1 | | | | |
| 66-960 | | SPEAKER, LOUD-FRONT | HAUT PARLEUR | | |
| NC18-66-960C | 2 (FOR 4-SPEAKER (BOSE)) | | | | |
| NC25-66-960A | 2 (FOR 2-SPEAKER) (FOR 4-SPEAKER (STD.)) | | | | |
| 66-991C | | CONDENSER | CONDENSATEUR | | |
| NC10-66-991A | 1 | | | | |
| 68-866C | | FASTENER, SEAL | AGRAFE, JOINT D'ETANCHEITE | | |
| B235-68-865B | 2 | | | | |
| 68-955 | | FASTENER, LIFT GATE RIM | FERMETURE, ASS. PORTE LEVE | | |
| GJ37-68-955 | 2 | | | | |
| 00 | INT- | NB3 NB4 NB5 NB8 NB9 BLACK | NB3 NB4 NB5 NB8 NB9 NOIR | | |

6700A FRONT & REAR WIRING HARNESSSES

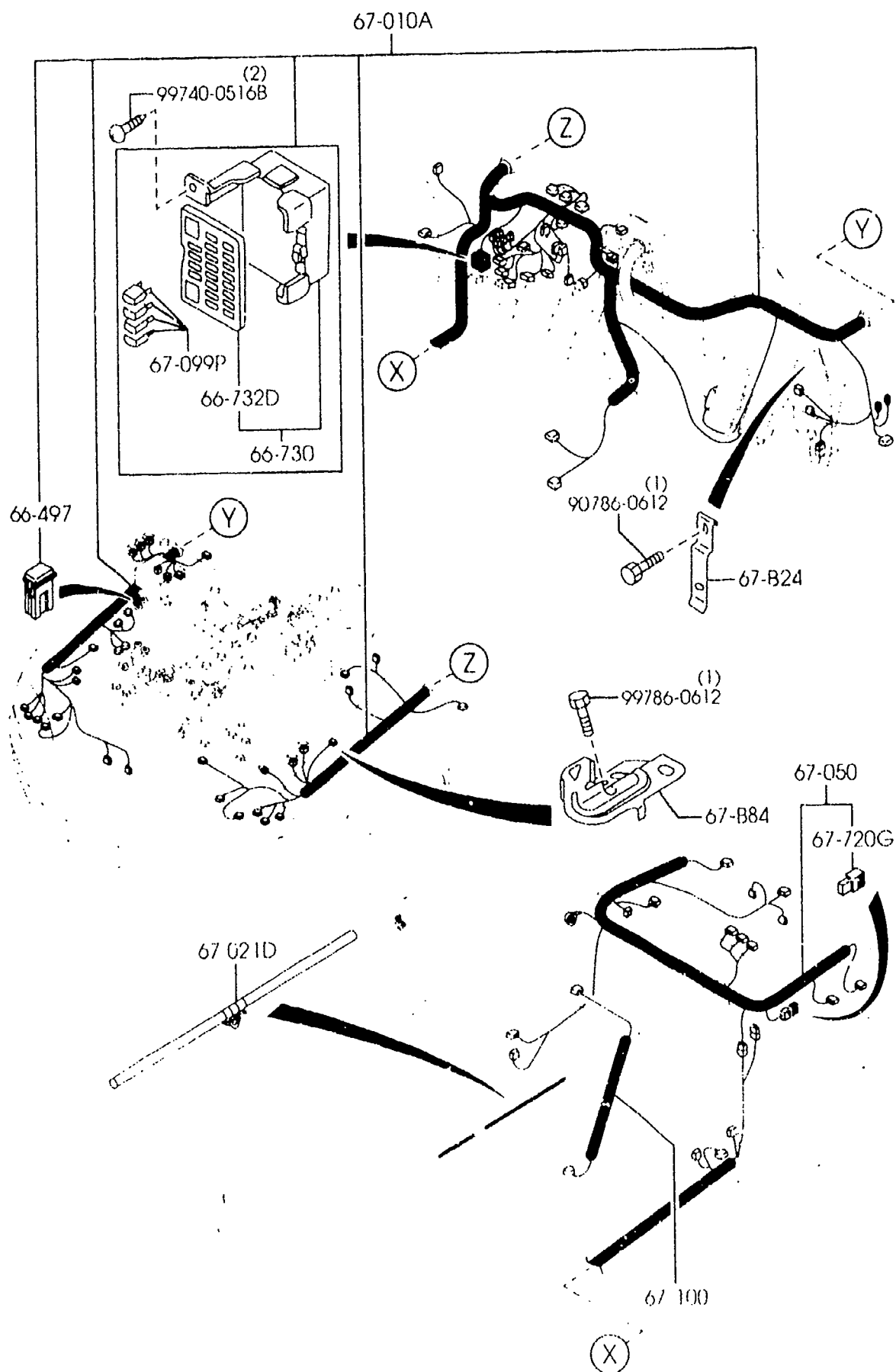


6700A -2 FRONT & REAR WIRING HARNESSSES

| PART NO. | QTY | MODEL/RESTRICTION | MODEL/RESTRICTION | MODEL/RESTRICTION | FROM-TO |
|----------------------------------|-----|---|--|-------------------|---------|
| CONT'D | | | | | |
| NC73-67-010C | 1 | R 2-SPEAKER (W/O RUNNING LAMP+FO R 4-SPEAKER) ((MT))>(W/O A. LOCK B RAKE)) | ((B.V.MANU))>(S/SYST ANTIBLOC)) | | 1701- |
| NC75-67-010C | 1 | (W/O RUNNING LAMP+FO R 4-SPEAKER(BOSE)) ((MT))>(W/O A. LOCK B RAKE)) | ((B.V.MANU))>(S/SYST ANTIBLOC)) | | 1701- |
| NC76-67-010C | 1 | (W/RUNNING LAMP) ((MT))>(W/O A. LOCK B RAKE)) | ((B.V.MANU))>(S/SYST ANTIBLOC)) | | 1701- |
| NC78-67-010D | 1 | (W/O RUNNING LAMP) ((AT))>(W/O A. LOCK B RAKE)) | ((B.V.AUTOM))>(S/SYST ANTIBLOC)) | | 1701- |
| NC80-67-010D | 1 | (W/O RUNNING LAMP) ((MT))>(W/A. LOCK BRA KE)) | ((B.V.MANU))>(SYST AN TIBLOC)) | | 1701- |
| ND02-67-010C | 1 | (W/O RUNNING LAMP) ((AT))>(W/A. LOCK BRA KE)) | ((B.V.AUTOM))>(SYST A NTIBLOC)) | | 1701- |
| ND04-67-010D | 1 | (W/RUNNING LAMP) (W/A. LOCK BRAKE) ((MT))>(W/A. LOCK BRA KE)) | (SYST ANTIBLOC) ((B.V.MANU))>(SYST AN TIBLOC)) | | 1701- |
| ND06-67-010D | 1 | (W/RUNNING LAMP) (W/A. LOCK BRAKE) ((AT))>(W/A. LOCK BRA KE)) | (SYST ANTIBLOC) ((B.V.AUTOM))>(SYST A NTIBLOC)) | | 1701- |
| NC10-67-011 | 1 | 67-021D HARNESS,WIRE | FAISCEAU DE FILS | | |
| NC72-67-050B A (NC72-67-050C) | 1 | 67-050 HARNESS,REAR | FAISCEAU AR | | -1701 |
| NC73-67-050B A (NC73-67-050C) | 1 | (W/O KEY LESS ENTRY) (W/O A. LOCK BRAKE) | (S/SYST ANTIBLOC) | | -1701 |
| NC78-67-050B A (NC78-67-050C) | 1 | (W/KEY LESS ENTRY) (W/O A. LOCK BRAKE) | (S/SYST ANTIBLOC) | | -1701 |
| NC79-67-050B A (NC79-67-050C) | 1 | (W/O KEY LESS ENTRY) (W/A. LOCK BRAKE) | (SYST ANTIBLOC) | | -1701 |
| *NC72-67-050C | 1 | (W/KEY LESS ENTRY) (W/A. LOCK BRAKE) | (SYST ANTIBLOC) | | 1701- |
| *NC73-67-050C | 1 | (W/O KEY LESS ENTRY) (W/O A. LOCK BRAKE) | (S/SYST ANTIBLOC) | | 1701- |

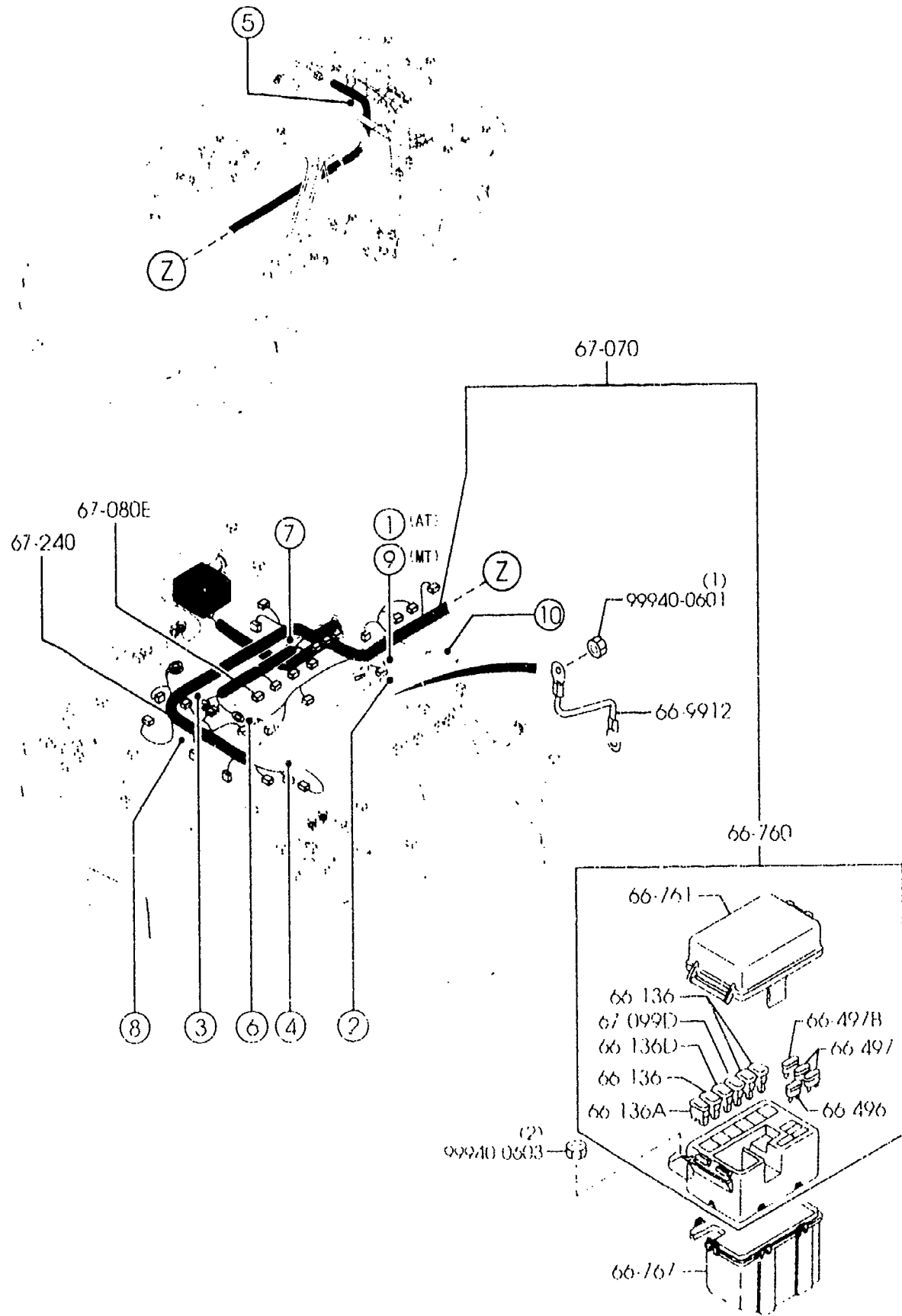
1701 NB35**-219555

6700A FRONT & REAR WIRING HARNESSSES

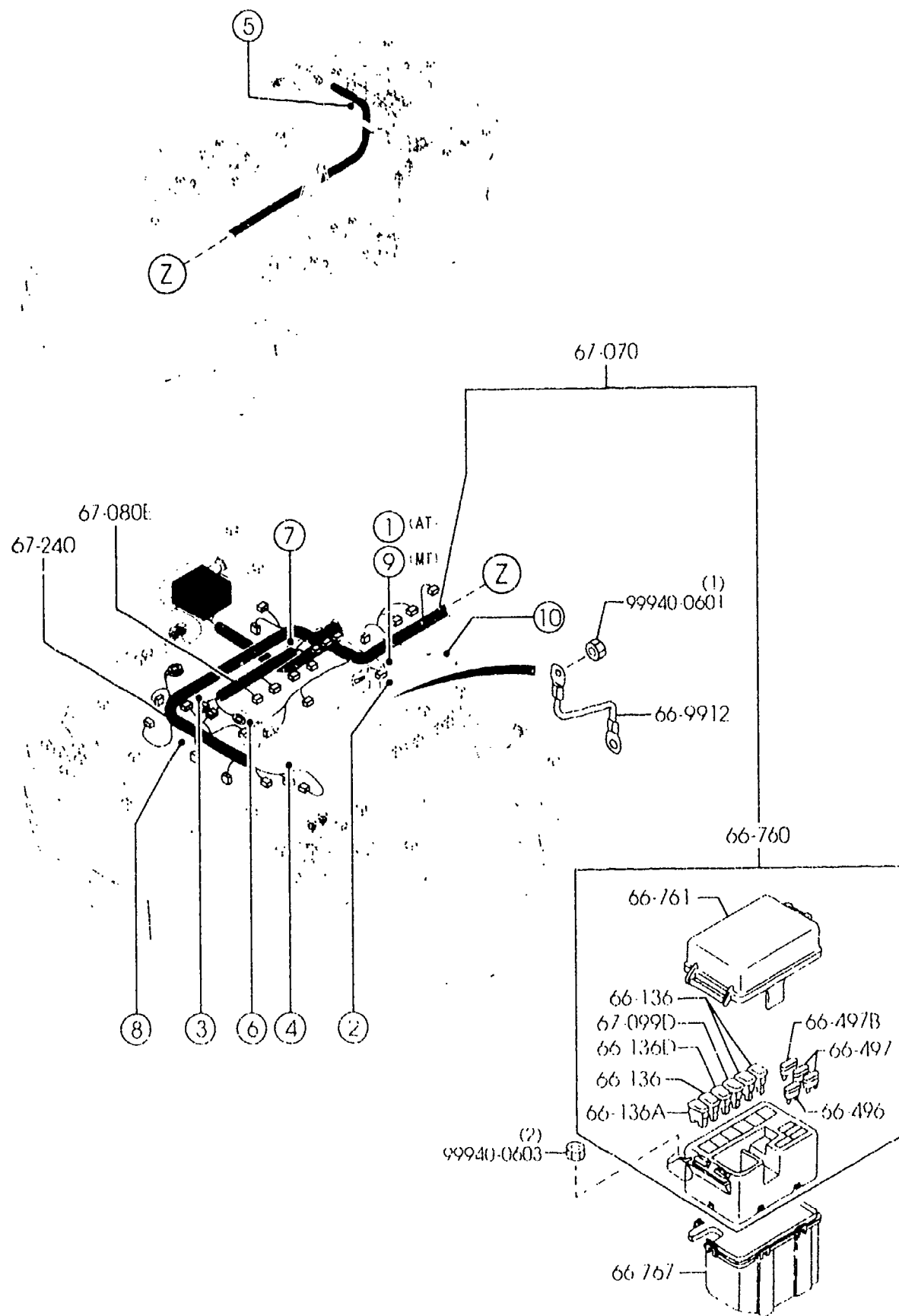


| PART NO. | QTY | MODEL/RESTRICTION | MODEL/RESTRICTION | MODEL/RESTRICTION | FROM-TO |
|---------------|-----|----------------------|------------------------|-------------------|---------|
| CONT'D | | (W/O A. LOCK BRAKE) | (S/SYST ANTIBLOC) | | |
| *NC78-67-050C | 1 | (W/G KEY LESS ENTRY) | | | 1701- |
| | | (W/A. LOCK BRAKE) | (SYST ANTIBLOC) | | |
| *NC79-67-050C | 1 | (W/KEY LESS ENTRY) | | | 1701- |
| | | (W/A. LOCK BRAKE) | (SYST ANTIBLOC) | | |
| 67-099P | | FUSE | COUPE-CIRCUIT | | |
| 99705-1207 | 3 | 7.5A | 7.5A | | |
| 99705-1210 | 5 | 10A | 10A | | |
| 99705-1215 | 7 | 15A | 15A | | |
| 99705-1220 | 3 | 20A | 20A | | |
| 99705-1230 | 1 | 30A | 30A | | |
| 67-100 | | HARNES, ROOM LAMP | FAISCEAU DE PLAFONNIER | | |
| NC10-67-100B | 1 | | | | |
| 67-720G | | RELAY, TRANSFER | RELAIS, FRANSFERT | | |
| *B150-67-720 | 1 | | | | 1701- |

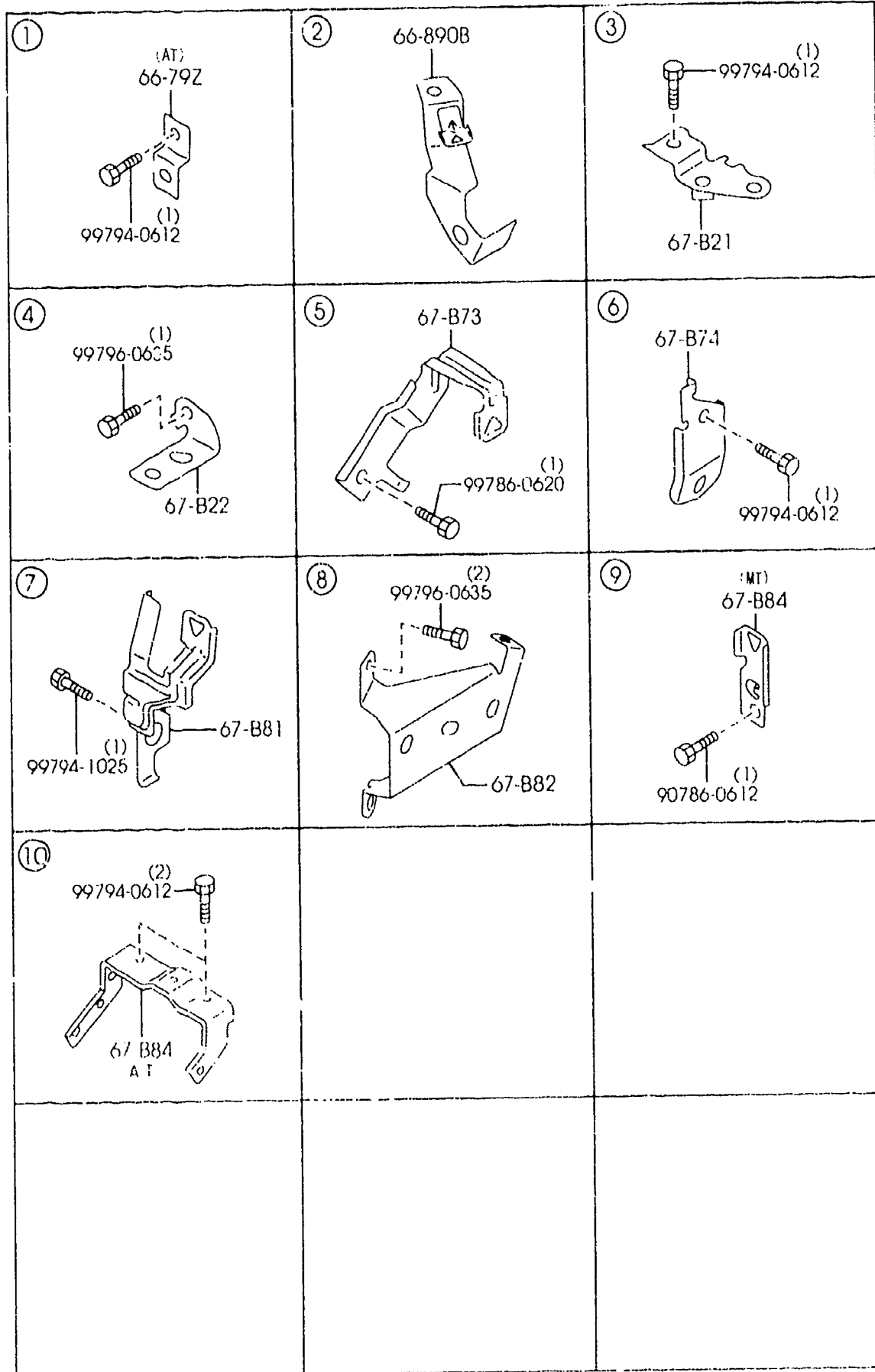
1701 NB35** -219555



| | | |
|--|--|--|
| <p>①</p> <p>(AT)</p> <p>66-79Z</p> <p>99794-0612 (1)</p> | <p>②</p> <p>66-890B</p> | <p>③</p> <p>99794-0612 (1)</p> <p>67-B21</p> |
| <p>④</p> <p>99796-0635 (1)</p> <p>67-B22</p> | <p>⑤</p> <p>67-B73</p> <p>99786-0620 (1)</p> | <p>⑥</p> <p>67-B74</p> <p>99794-0612 (1)</p> |
| <p>⑦</p> <p>99794-1025 (1)</p> <p>67-B81</p> | <p>⑧</p> <p>99796-0635 (2)</p> <p>67-B82</p> | <p>⑨</p> <p>(MT)</p> <p>67-B84</p> <p>90786-0612 (1)</p> |
| <p>⑩</p> <p>99794-0612 (2)</p> <p>67-B81 AT</p> | | |



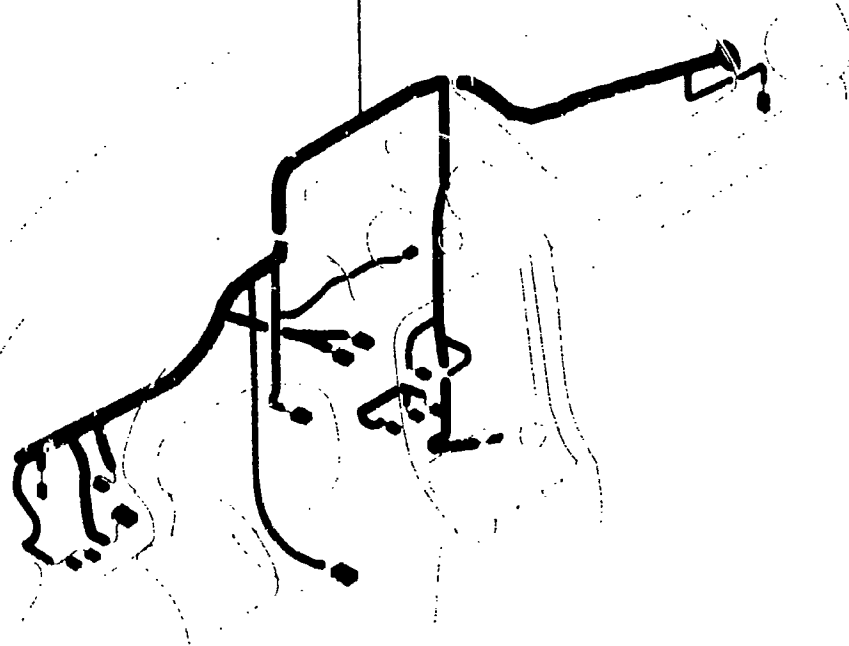
| PART NO. | QTY | MODEL/RESTRICTION | MODEL/RESTRICTION | MODEL/RESTRICTION | FROM-TO |
|--------------|-----|--------------------------------|---------------------------------|-------------------|---------|
| 66-136 | | FUSE (30A) | FUSIBLE(30A) | | |
| H115-67-099 | 3 | | | | |
| 66-136A | | FUSE (40A) | FUSIBLE(40A) | | |
| H116-67-099 | 1 | 40A | 40A | | |
| 66-136D | | FUSE (100A) | FUSIBLE (100A) | | |
| FC01-67-099 | 1 | | | | |
| 66-496 | | FUSE (15A) | FUSIBLE (15A) | | |
| 99705-1115 | 1 | | | | |
| 66-497 | | FUSE (20A) | FUSIBLE(20A) | | |
| 99705-1120 | 2 | | | | |
| 66-497B | | FUSE (30A) | FUSIBLE (30A) | | |
| 99705-1130 | 1 | | | | |
| 66-760 | | BLOCK, MAIN FUSE | BOITE ,FUSIBLE PRIN CIPAL | | |
| NC82-66-760A | 1 | | | | |
| 66-761 | | COVER, MAIN FUSE BLOC K | COUVERCLE FUSIBLE PR INCIP | | |
| NC82-66-762 | 1 | | | | |
| 66-767 | | COVER, UNDER-MAIN FUS E BLK | COUVERCLE, SOUS-BL. FU E BLK | | |
| NC10-66-767 | 1 | | | | |
| 66-792 | | BRACKET, HORN | SUPPORT, AVERTISSEUR | | |
| BC5D-66-781 | 1 | (AT) | (B.V. AUTOM) | | |
| 66-890B | | BRACKET | SUPPORT | | |
| NC10-67-B7X | 1 | | | | |
| 66-9912 | | WIRE, EARTH | CABLE DE MASSE | | |
| NA75-67-EW1B | 1 | | | | |
| 67-B21 | | BRACKET, HARNESS | SUPPORT, HARNAIS | | |
| NC10-67-B2XB | 1 | | | | |
| 67-B22 | | BRACKET, HARNESS | SUPPORT, HARNAIS | | |



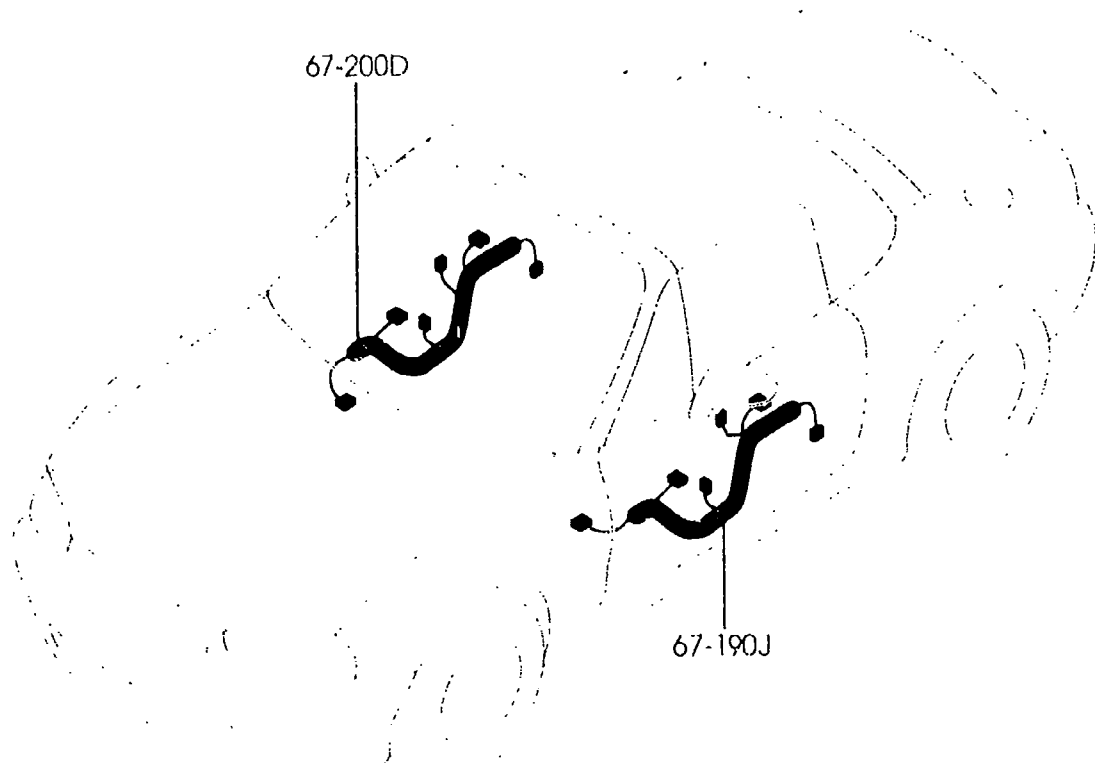
| PART NO. | QTY | MODEL/RESTRICTION | MODEL/RESTRICTION | MODEL/RESTRICTION | FROM-TO |
|-----------------------------------|--------|-------------------------|---------------------------|-------------------|---------|
| CONT'D NC10-67-B22 | 1 | | | | |
| +-----+ 67-B73 +-----+ | | BRACKET, HARNESS | SUPPORT, HARNAIS | | |
| NC10-67-B73 | 1 | | | | |
| +-----+ 67-B74 +-----+ | | BRACKET, HARNESS | SUPPORT, HARNAIS | | |
| NC10-67-B74 | 1 | | | | |
| +-----+ 67-B81 +-----+ | | BRACKET, HARNESS-ENGINE | SUPPORT, HARNAIS | | |
| NC10-67-B81B | 1 | | | | |
| +-----+ 67-B82 +-----+ | | BRKT, THROTTLE SENSOR | SUPPORT, CAPTEUR REGULAT. | | |
| N066-67-B82 | 1 | | | | |
| +-----+ 67-B84 +-----+ | | BRACKET | ATTACHE | | |
| NC10-67-B72 | 1 (MT) | | (B.V. MANU) | | |
| NC13-67-B72A | 1 (AT) | | (B.V. AUTOM) | | |
| +-----+ 67-070 +-----+ | | HARNESS, ENGINE | FAISCEAU, MOTEUR | | |
| NC49-67-070C | 1 (MT) | | (B.V. MANU) | | |
| NC53-67-070C | 1 (AT) | | (B.V. AUTOM) | | |
| +-----+ 67-080E +-----+ | | WIRING, INJECTOR | CABLAGE, INJECTION | | |
| N066-67-080C | 2 | | | | |
| +-----+ 67-099D +-----+ | | FUSE (60A) | FUSIBLE (60A) | | |
| FB01-67-099 | 1 | 60A | 60A | | |
| +-----+ 67-200 +-----+ | | HARNESS, EMISSION | FAISC. AU DE TRANSMISSION | | |
| NC72-67-000 | 1 | | | | |



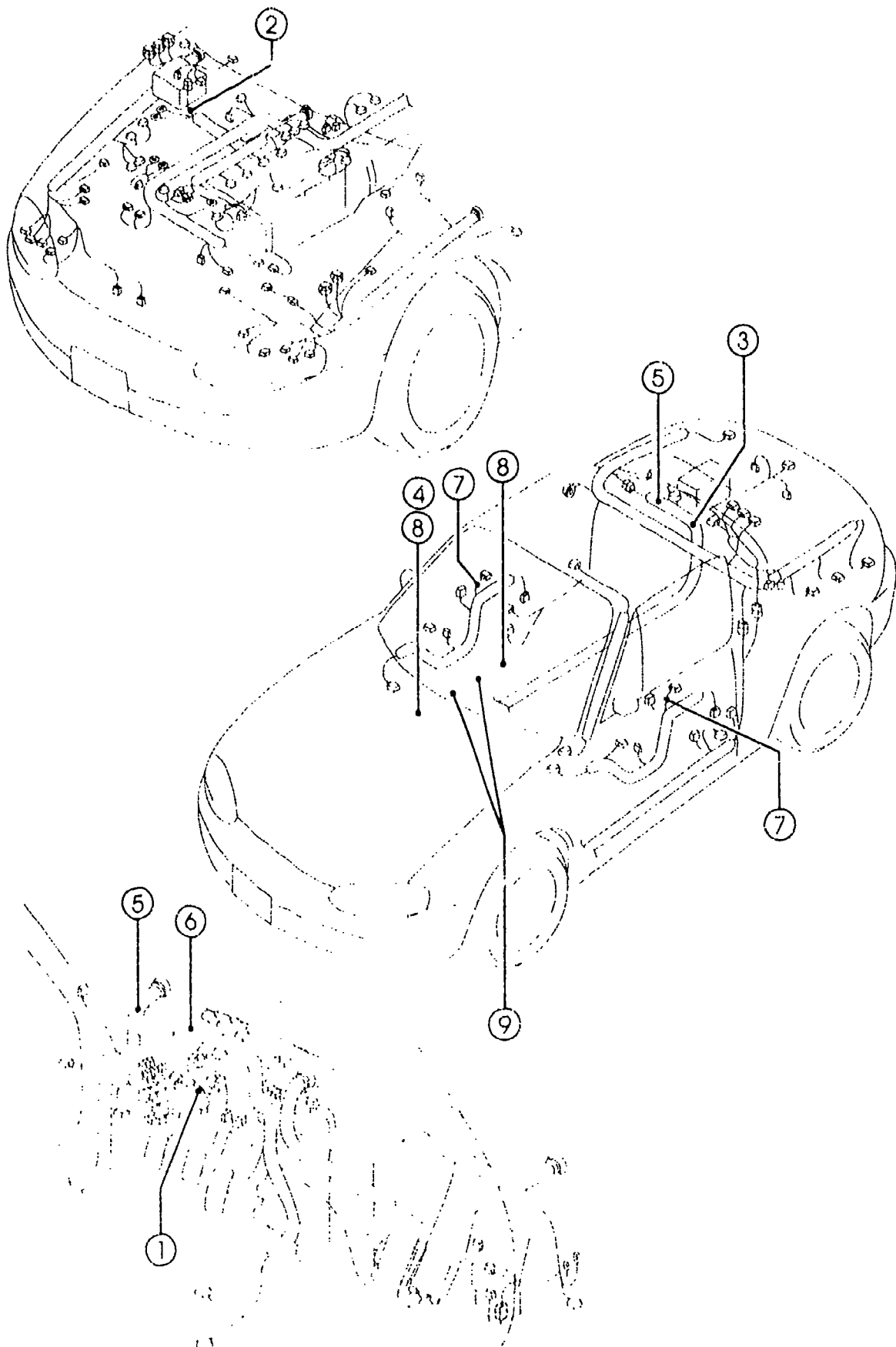
67-030



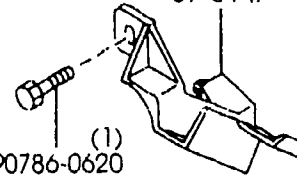








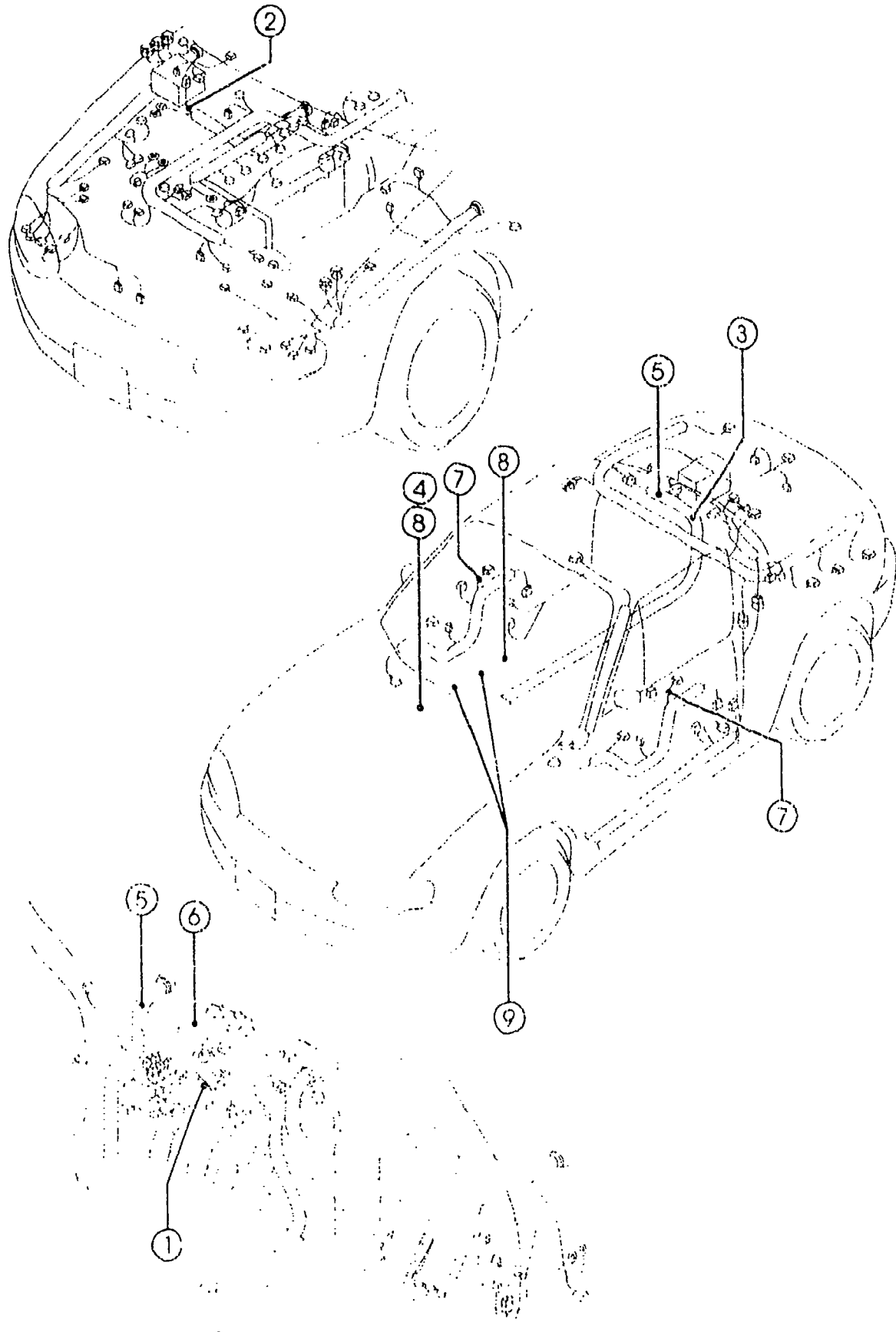
| PART NO. | QTY | MODEL/RESTRICTION | MODEL/RESTRICTION | MODEL/RESTRICTION | FROM-TO |
|----------------------------------|-----|--|---|-------------------|---------|
| 67-030 | | HARNESS, INSTRUMENT | FAISCEAU DE TABLEAU DE BO | | |
| NC72-67-030B A (NC72-67-030D) | 1 | (W/O KEY LESS ENTRY+ W/O AUTO CRUISE CONT.) | | | -1701 |
| NC73-67-030B A (NC73-67-030D) | 1 | (W/KEY LESS ENTRY+W/ O AUTO CRUISE CONT.) | | | -1701 |
| NC81-67-030B A (NC81-67-030D) | 1 | (W/KEY LESS ENTRY+ AUTO CRUISE CONT.) (NOR. SUSP) ((HARD SUSP)>(W/O A. LOCK BRAKE)) | (SUSP. NRML) ((SUSP. FERM)>(S/SYST ANTIBLOC)) | | -1701 |
| ND01-67-030B | 1 | (W/KEY LESS ENTRY+W/ AUTO CRUISE CONT.) (SPORT SUSP) ((HARD SUSP)>(W/A. L OCK BRAKE)) | (SUSP. SPORTIVE) ((SUSP. FERM)>(SYST A NTIBLOC)) | | -1701 |
| *NC72-67-030D | 1 | (W/O KEY LESS ENTRY+ W/O AUTO CRUISE CONT.) | | | 1701- |
| *NC73-67-030D | 1 | (W/KEY LESS ENTRY+W/ O AUTO CRUISE CONT.) | | | 1701- |
| *NC81-67-030D | 1 | (W/KEY LESS ENTRY+W/ AUTO CRUISE CONT.) ((HARD SUSP)>(W/O A. LOCK BRAKE)) (NOR. SUSP) | ((SUSP. FERM)>(S/SYST ANTIBLOC)) (SUSP. NRML) | | 1701- |
| *ND01-67-030D | 1 | (W/KEY LESS ENTRY+W/ AUTO CRUISE CONT.) ((HARD SUSP)>(W/A. L OCK BRAKE)) (SPORT SUSP) | ((SUSP. FERM)>(SYST A NTIBLOC)) (SUSP. SPORTIVE) | | 1701- |
| 1701 NB35**-219555 | | | | | |



| PART NO. | QTY | MODFL/RESTRICTION | MODEL/RESTRICTION | MODEL/RESTRICTION | FROM-TO |
|-----------------------------------|-----|--|----------------------------|-------------------|---------|
| +-----+ 67-190J +-----+ | | | | | |
| NC72-67-190C | 1 | HARNESS, DOOR-DRIVER SIDE (FOR 2-SPEAKER+W/POWER DOOR LOCK) | CABLAGE, HARNAIS-C. COND. | | |
| NC73-67-190C | 1 | (FOR 4-SPEAKER+W/POWER DOOR LOCK) (FOR 4-SPEAKER(BOSE)+W/POWER DOOR LOCK) | | | |
| NC74-67-190C | 1 | (FOR 2-SPEAKER+W/O POWER DOOR LOCK) (AT) | (B.V. AUTOM) | | |
| NC75-67-190C | 1 | (FOR 4-SPEAKER+W/O POWER DOOR LOCK) (FOR 4-SPEAKER(BOSE)+W/O POWER DOOR LOCK) (AT) | (B.V. AUTOM) | | |
| N066-67-190C | 1 | (FOR 2-SPEAKER+W/O POWER DOOR LOCK) (MT) | (B.V. MANU) | | |
| N067-67-190C | 1 | (FOR 4-SPEAKER+W/O POWER DOOR LOCK) (FOR 4-SPEAKER(BOSE)+W/O POWER DOOR LOCK) (MT) | (B.V. MANU) | | |
| +-----+ 67-200D +-----+ | | | | | |
| NC74-67-190C | 1 | HARNESS, DOOR-PASSENGER SIDE (FOR 2-SPEAKER+W/O POWER DOOR LOCK) (AT) | CABLAGE, HARNAIS-C. VOYAG. | | |
| NC74-67-190C | 1 | (FOR 2-SPEAKER+W/POWER DOOR LOCK) | (B.V. AUTOM) | | |
| NC75-67-190C | 1 | (FOR 4-SPEAKER+W/O POWER DOOR LOCK) (FOR 4-SPEAKER(BOSE)+W/O POWER DOOR LOCK) (AT) | (B.V. AUTOM) | | |
| NC75-67-190C | 1 | (FOR 4-SPEAKER+W/POWER DOOR LOCK) (FOR 4-SPEAKER(BOSE)+W/POWER DOOR LOCK) | | | |
| N066-67-190C | 1 | (FOR 2-SPEAKER+W/O POWER DOOR LOCK) (MT) | (B.V. MANU) | | |
| N067-67-190C | 1 | (FOR 4-SPEAKER+W/O POWER DOOR LOCK) (FOR 4-SPEAKER(BOSE)+W/O POWER DOOR LOCK) (MT) | (B.V. MANU) | | |



| | | | | |
|---|---|---|---|---|
| ① 61-477C | ② 67-013A | ③ 67-014F 90786-0620 (1) | | ④ 67-026 |
|  |  |  | |  |
| ⑤ 67-052H | ⑥ 67-076 | ⑦ 68-425A | ⑧ 68-865 | ⑨ 99264-0738 (2) |
|  |  |  |  |  |



6704A -1 * WIRING HARNESS CLAMPS

| PART NO. | QTY | MODEL/RESTRICTION | MODEL/RESTRICTION | MODEL/RESTRICTION | FROM-TO |
|-------------------------|-----|--------------------------------|----------------------|-------------------|---------|
| 61-477C 802A-61-477 | 1 | CLIP (W/O POWER DOOR LOCK) | ATTACHE | | |
| 67-013A NR70-67-CC6A | 1 | CLIP | ATTACHE | | |
| 67-014F NA01-67-P71 | 1 | PROTECTOR, HARNESS | PROTECTEUR, HARNAIS. | | |
| 67-026 NA02-67-CW5A | 1 | CLIP, HARNESS | COLLIER, HARNAIS | | |
| 67-052H 0030-67-018A | 2 | CLIP | ATTACHE | | |
| 67-076 NA01-67-CH8 | 1 | CLIP, ENGINE HARNESS | CLIP | | |
| 68-425A LA01-57-425A | 2 | COVER, HOLE (FOR 2-SPEAKER) | COUVERCLE | | |
| 68-865 BR70-68-865 | 2 | FASTENER | AGRAFE | | |